

REVISIONS

P	LTR	DESCRIPTION	DATE	DWN	APVD
	B2	REVISED PER ECO-11-005150	29MAR2011	RK	HMR
	W	ECR-16-003733	12MAR2016	KR	TN

LASER MARKING: TE LOGO PN VALUE TOLERANCE & DATE CODE

6 HOLES Ø5.3

5.6 MIN

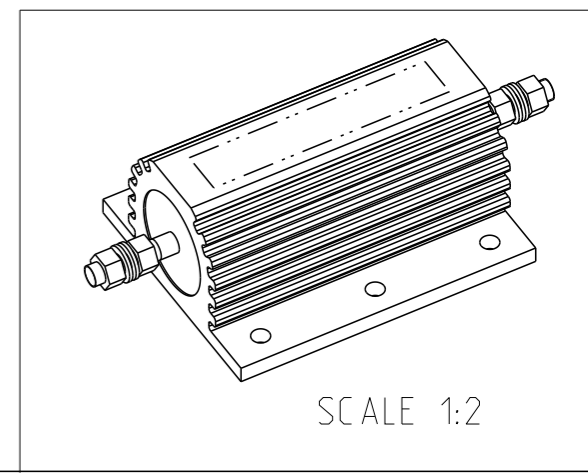
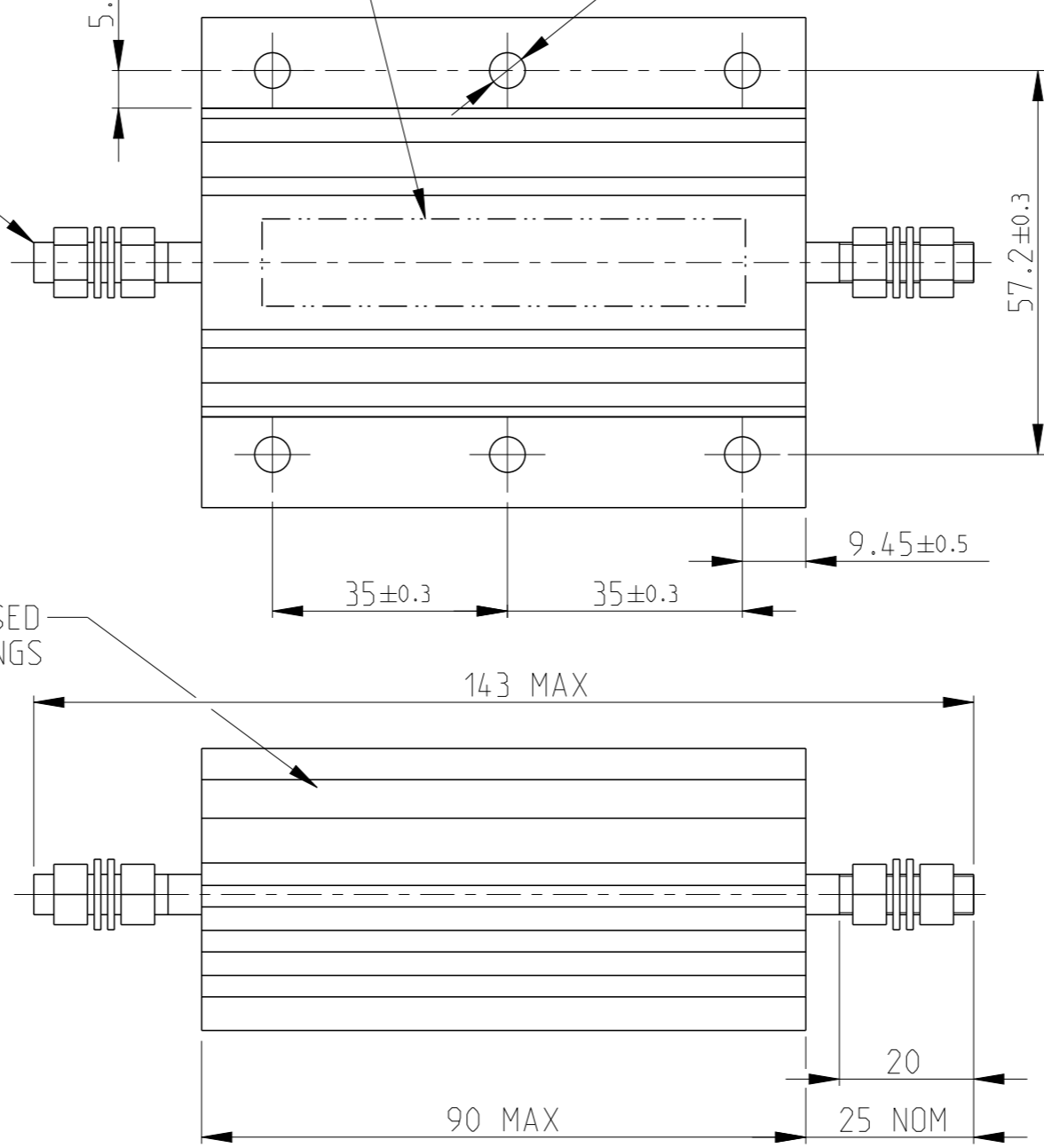
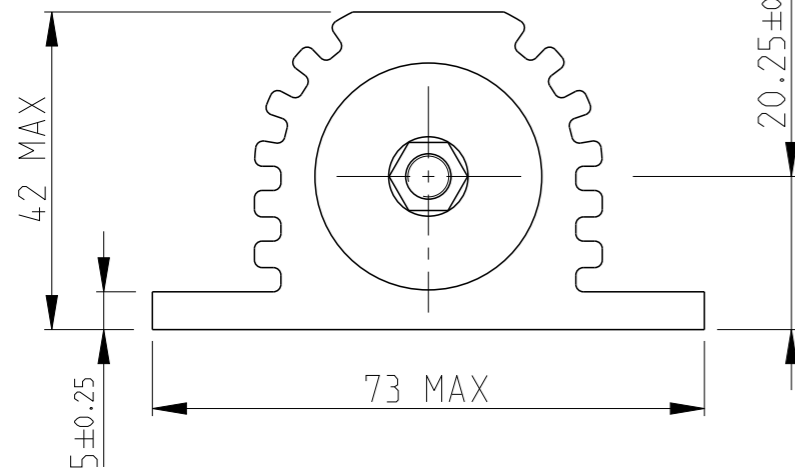
M6 ST/STEEL TERMINAL STUDS. EACH SUPPLIED WITH:- 2 OFF M6 ST/STEEL FULL NUTS 2 OFF M6/STEEL PLAN WASHERS


- 1 FOR FURTHER INFORMATION SEE DATA SHEET FOR HS SERIES-ALUMINIUM HOUSED RESISTORS
- 2 FOR A SPECIFIC PN FOR A RESISTANCE VALUE AND TOLERANCE, PLEASE REFER TO DMF

GOLD ANODISED ALUMINIUM HOUSINGS

HSC200 ALUMINIUM HOUSED POWER RESISTOR

RoHS Compliant



THIS DRAWING IS A CONTROLLED DOCUMENT.		DWN	L LUONG	10.MAR.03	 TE Connectivity
DIMENSIONS: mm		CHK	J CATCHPOLE	10.MAR.03	
TOLERANCES UNLESS OTHERWISE SPECIFIED:		APVD	J CATCHPOLE	10.MAR.03	
0 PLC ±0.5 1 PLC ±0.2 2 PLC ±0.1 3 PLC ± 4 PLC ± ANGLES ±°		PRODUCT SPEC	NAME		
MATERIAL		APPLICATION SPEC		-	
material_2		FINISH		-	
finish_spec_2		WEIGHT		-	
CUSTOMER DRAWING		SIZE	A3	CAGE CODE	00779
SCALE		1:1		DRAWING NO	1630019
SHEET		1 OF 1		RESTRICTED TO	-
REV		W			

Mouser Electronics

Authorized Distributor

Click to View Pricing, Inventory, Delivery & Lifecycle Information:

[TE Connectivity:](#)

[HSC20080RJ](#)