

## SEK-18 SV MA STD STRWW 16P PL2

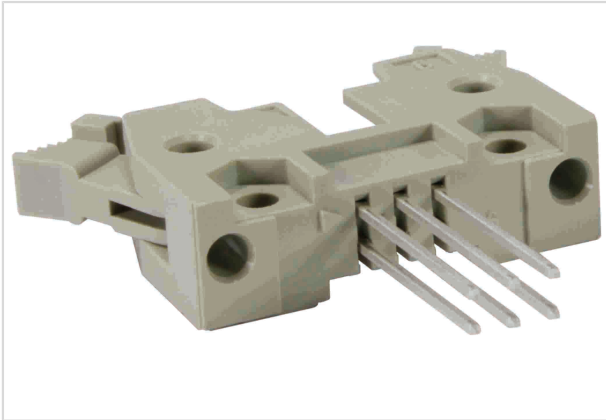


Image is for illustration purposes only. Please refer to product description.

Part number	09 18 516 6927
Specification	SEK-18 SV MA STD STRWW 16P PL2
HARTING eCatalogue	<a href="https://b2b.harting.com/09185166927">https://b2b.harting.com/09185166927</a>

### Identification

Category	Connectors
Series	SEK Standard
Element	Male connector
Description of the contact	Straight

### Version

Termination method	Wrap termination
Connection type	PCB to cable
Number of contacts	16
Termination length	15 mm
Performance level	2

### Technical characteristics

Dimensions wire wrap post	0.6 x 0.6 mm
Contact rows	2
Contact spacing (termination side)	2.54 mm
Rated current	1 A
Insulation resistance	$>10^9 \Omega$
Contact resistance	$\leq 20 \text{ m}\Omega$
Limiting temperature	-55 ... +125 °C
Mating cycles	$\geq 250$
Test voltage $U_{r.m.s.}$	1 kV



Pushing Performance

## Technical characteristics

Isolation group	IIIa ( $175 \leq \text{CTI} < 400$ )
-----------------	--------------------------------------

## Material properties

Material (insert)	Thermoplastic resin (PBT)
Colour (insert)	Grey
Material (contacts)	Copper alloy
Surface (contacts)	Sn over Ni Termination side Au over Pd/Ni Mating side
Material flammability class acc. to UL 94	V-0
RoHS	compliant
ELV status	compliant
China RoHS	e
REACH Annex XVII substances	No
REACH ANNEX XIV substances	No
REACH SVHC substances	No

## Specifications and approvals

Specifications	IEC 60603-13
UL / CSA	UL 1977 ECBT2.E102079 CSA-C22.2 No. 182.3 ECBT8.E102079
Railway classification	F3/I3

## Commercial data

Packaging size	50
Net weight	5.36 g
Country of origin	Romania
European customs tariff number	85366990
eCl@ss	27440402 PCB connector

### Current carrying capacity

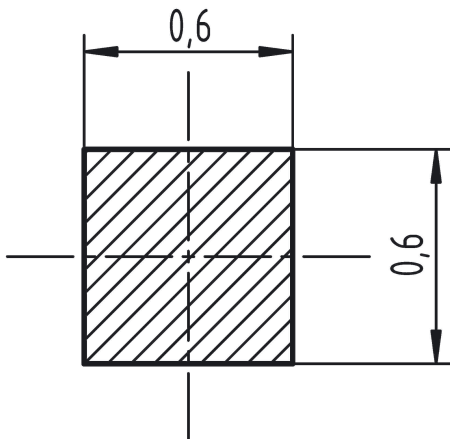
The current carrying capacity of the connectors is limited by the thermal load capability of the contact element material including the connections and the insulating parts. The derating curve is therefore valid for currents which flow constantly (non-intermittent) through each contact element of the connector evenly, without exceeding the allowed maximum temperature.

Measuring and testing techniques acc. to IEC 60512-5-2



- ① Temperature raise
- ② Derating curve
- ③ Derating curve 80%

### Cross section of solder termination



# Mouser Electronics

Authorized Distributor

Click to View Pricing, Inventory, Delivery & Lifecycle Information:

[HARTING:](#)

[09185166927](#)