

REV.	DESCRIPTION	DRAWN	CHECKED	APPROVED
A	NEW RELEASE	LL 03/26/06'		LJC 03/26/06'
B	DRAWING UPDATE	JLZ 11/09/17'		

NOTES:

- ELECTRICAL CHARACTERISTICS:
 - CONTACT RESISTANCE: 20mΩ Max.
 - DIELECTRIC WITHSTANDING VOLTAGE: 500V AC(rms) FOR 1 MINUTE.
 - INSULATION RESISTANCE: 1000MΩ Min.
 - VOLTAGE RATING:125V.
 - CURRENT RATING:1.5A.
- ENVIRONMENT CHARACTERISTICS:
 - TEMPERATURE: -40°C~+85°C.
- MATERIALS
 - CONTACT MATERIAL: COPPER ALLOY.
 - CONTACT PLATING: NICKEL OVER GOLD FLASH.
 - INSULATOR MATERIALS: PBT BLACK.
- PRODUCT NUMBER CODE:

DS1126-X X X X X

Housing Materials
P:PBT
N:NYLON

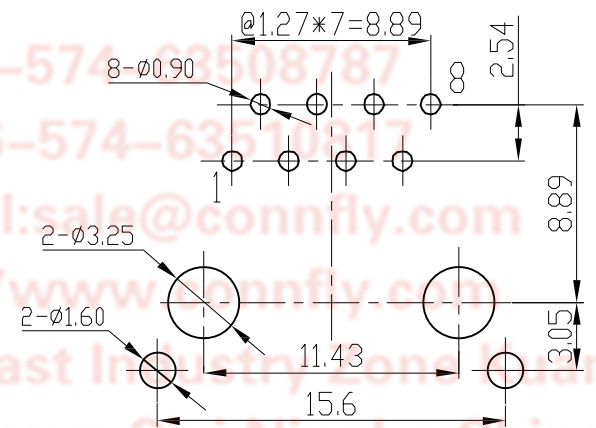
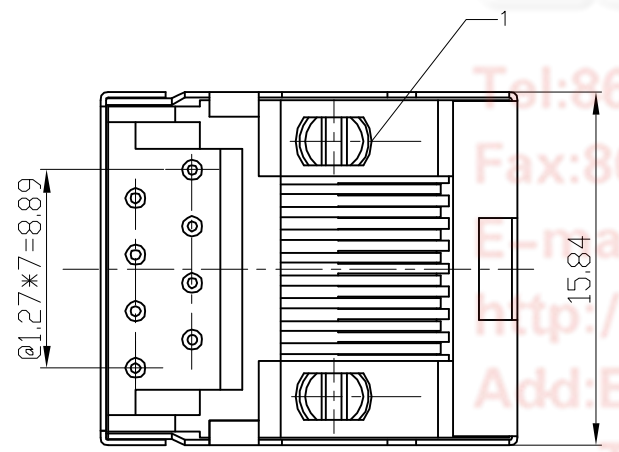
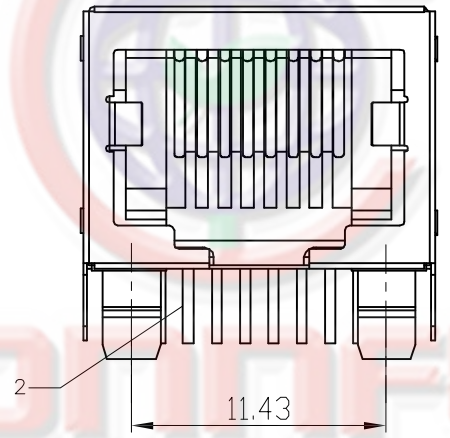
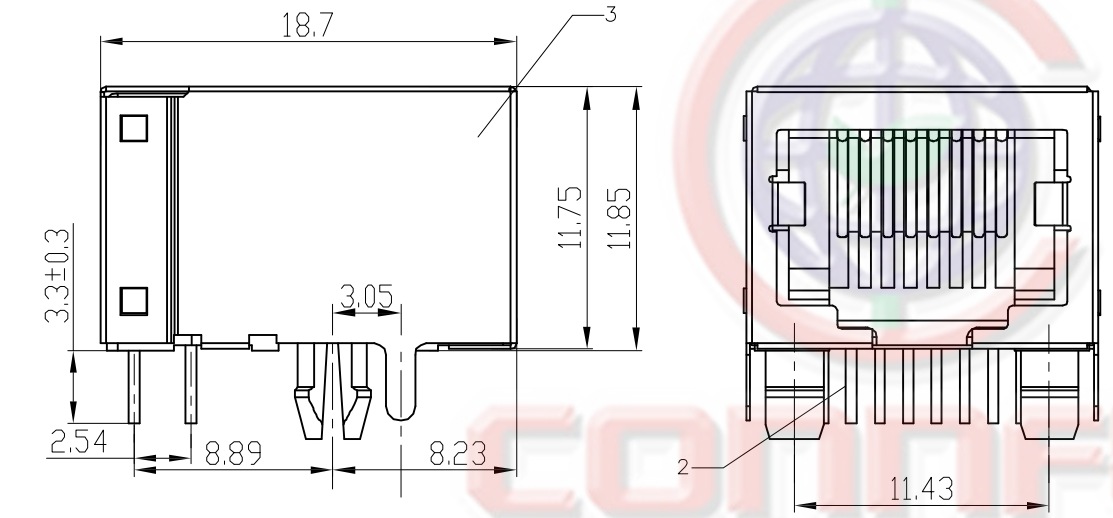
Housing Color
B:Black

Contact Plating
0:Gold Flash
3:3u" Gold
(6;30)Micro Inch

No.Of Contacts
4:8p4c 6:8p6c 8:8p8c

Connector Type
S:Socket

Series No.
DS1126



RECOMMEND PCB LAYOUT(TOLERANCE=±0.05)

(3)	SHIELDING	1	COPPER ALLOY WITH NICKEL PLATED	0.20mm THICKNESS
(2)	PIN		PHOSPHOR BRONZE	GOLD-PLATING OVER NICKEL
(1)	HOUSING	1	PBT	UL94 V-0 OR 94 V-2
No.	PART NAME	Q'ty	MATERAIL	REMARK

GENERAL TOLERANCE		ANGLE TOLERANCE		PROJECTION	TITLE
X.	±0.60	X.	±5°		PCB JACK 8P
.X	±0.38	.X	±3°	mm	
.XX	±0.25	.XX	±2°	A4	SHEET SIZE
DRAWING TYPE		CUSTOMER		SERIES DS1126 SERIES	
SCALE		1:1		SHEET 1 OF 1	
DRAWING NO.		C-DS1126-XXXXX-B			

晨翔电子有限公司
CONNFLY CONNFLY ELECTRONIC CO. LTD