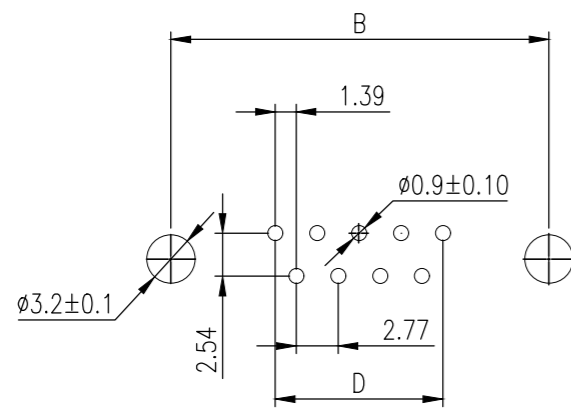
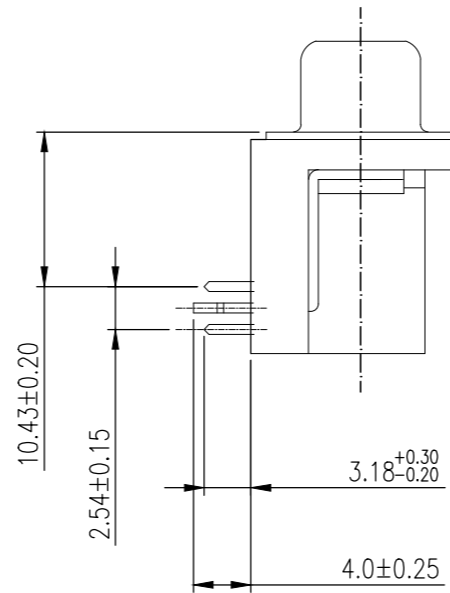
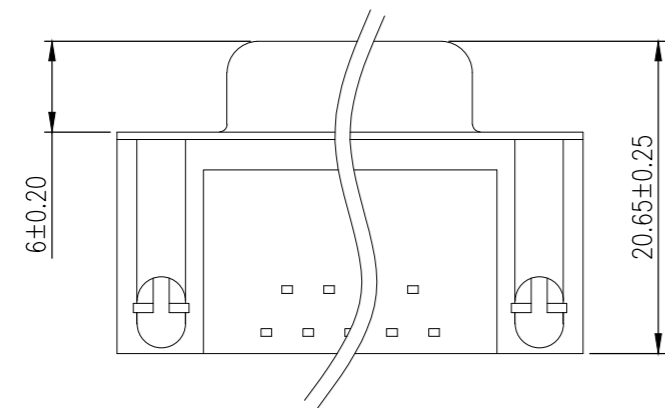
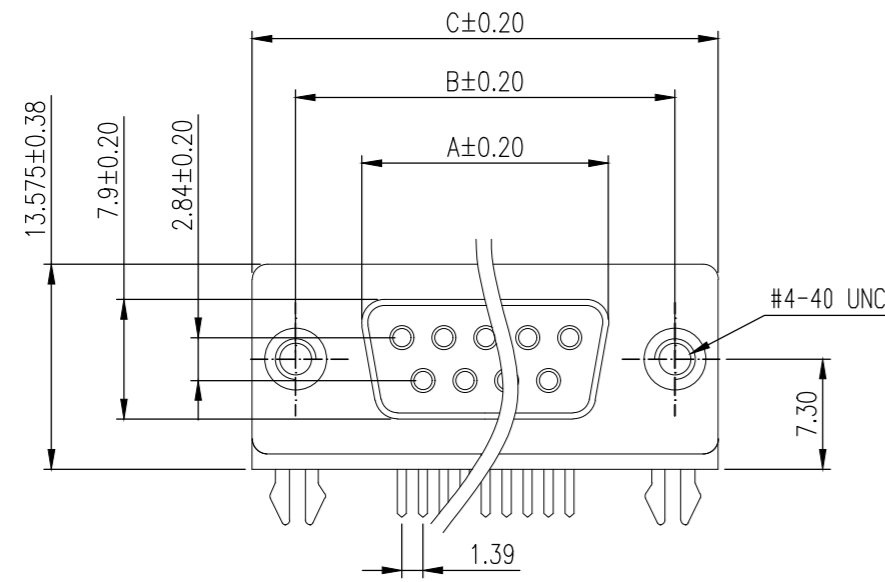


THIS DRAWING IS UNPUBLISHED. RELEASED FOR PUBLICATION
 © COPYRIGHT - By - ALL RIGHTS RESERVED.

REVISIONS					
P	LTR	DESCRIPTION	DATE	DWN	APVD
H		REVISED PER ECO-18-009360	15JUN2018	AP	DG

PART NUMBER	No. of Contact	A ±0.20	B ±0.20	C ±0.20	D
2301844-1	09	16.34	24.99	30.81	11.08



P.C.B LAYOUT

NOTE:

- MATERIAL:
 HOUSING: PBT WITH 20% GF UL 94 V-0, BLACK COLOR
 CONTACTS: PHOSPHOR BRONZE.
 SHELL: STEEL
 GROUNDING BRACKET: BRASS
 RIVETED INSERT: BRASS
 SCREWLOCK: BRASS
- FINISH:
 CONTACTS: 0.36 µm [15 µ"] GOLD IN CONTACT AREA.
 2.54 µm [100µ"] MATTE TIN ON SOLDER TAILS
 1.27 µm [50 µ"] NICKEL UNDERPLATE OVERALL
 SHELL: 2.54 µm [100µ"] NICKEL
 RIVET: 1.27 µm [50 µ"] NICKEL
 SCREWLOCK: 1.27 µm [50 µ"] NICKEL
 BOARDLOCK: 1.27µm [50µ"] MIN NICKEL UNDERPLATE.
 2.54µm [100µ"] MIN MATTE TIN PLATE
- WAVE SOLDER CAPABLE TO 265°C PER TE TEST SPEC. 109-202, CONDITION B.

2301844

9W D SKT W B/L & 4-40 INSERTS 15U" GOLD	2301844-1
DESCRIPTION	TE PART NO



NAME			
9 WAY D-SUB SOCKET WITH BOARD LOCK			
SIZE	CAGE CODE	DRAWING NO	RESTRICTED TO
A2	00779	C=2301844	-
SCALE		SHEET	REV
3:1		1 of 4	H

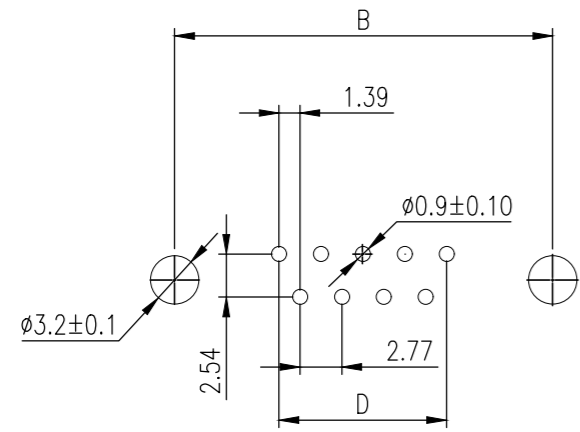
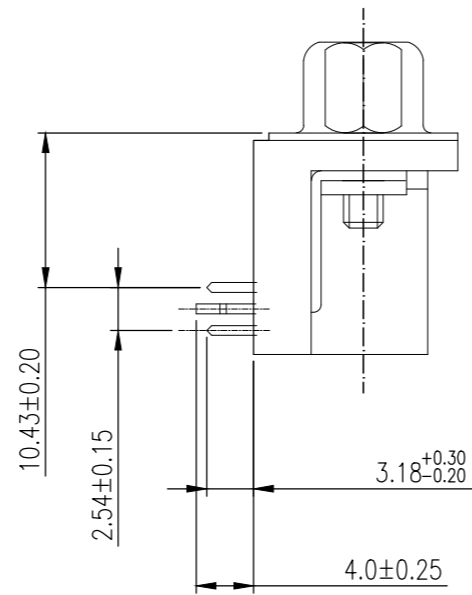
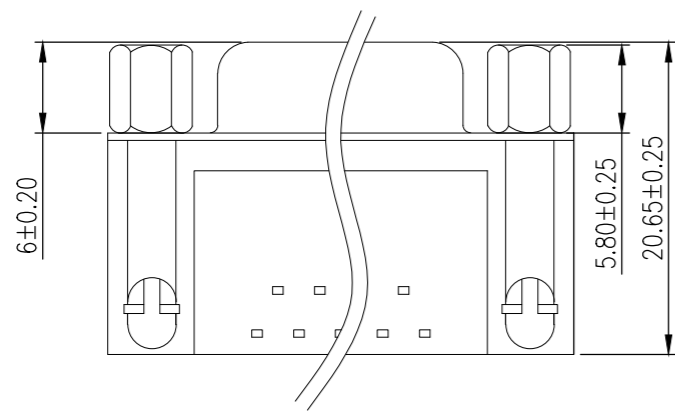
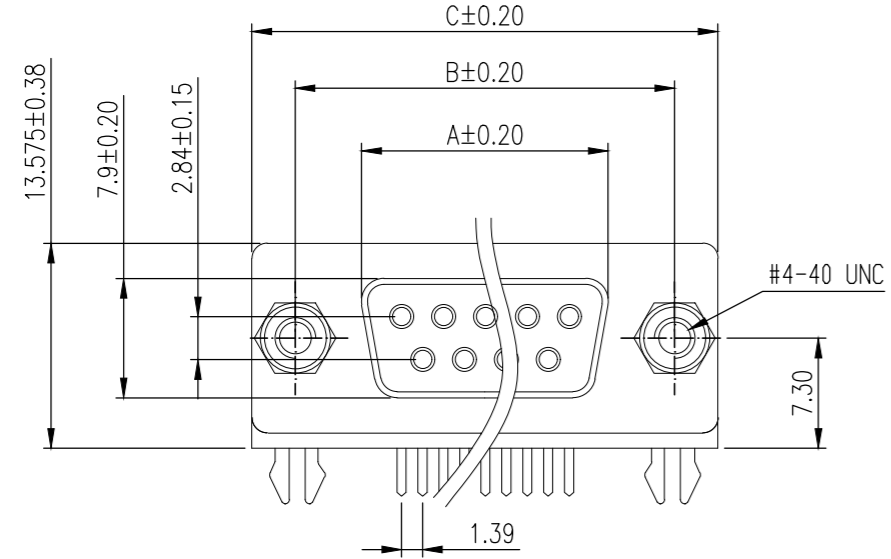
THIS DRAWING IS A CONTROLLED DOCUMENT.		DWN	07FEB2017
		CHK	07FEB2017
		APVD	07FEB2017
		PRODUCT SPEC	108-130013
		APPLICATION SPEC	-
		WEIGHT	0
CUSTOMER DRAWING			

DIMENSIONS:	TOLERANCES UNLESS OTHERWISE SPECIFIED:
mm	
	0 PLC ± -
	1 PLC ± 0.38
	2 PLC ± 0.25
	3 PLC ± 0.10
	4 PLC ± -
ANGLES	± 2°

THIS DRAWING IS UNPUBLISHED. RELEASED FOR PUBLICATION
 © COPYRIGHT - By - ALL RIGHTS RESERVED.

REVISIONS					
P	LTR	DESCRIPTION	DATE	DWN	APVD
-	-	SEE SHEET 1	-	-	-

PART NUMBER	No. of Contact	A ±0.20	B ±0.20	C ±0.20	D
2301844-2	09	16.34	24.99	30.81	11.08



P.C.B LAYOUT

2301844

9W D SKT W B/L & 4-40 S/LOCK 15U" GOLD	2301844-2
DESCRIPTION	TE PART NO



NAME			
9 WAY D-SUB SOCKET WITH BOARD LOCK			

SIZE	CAGE CODE	DRAWING NO	RESTRICTED TO
A2	00779	C=2301844	-

THIS DRAWING IS A CONTROLLED DOCUMENT.		DWN	07FEB2017
		CHK	07FEB2017
		APVD	07FEB2017
		PRODUCT SPEC	108-130013
		APPLICATION SPEC	-
		WEIGHT	0
CUSTOMER DRAWING		SCALE	3:1

DIMENSIONS:	TOLERANCES UNLESS OTHERWISE SPECIFIED:
mm	
0 PLC	± -
1 PLC	± 0.38
2 PLC	± 0.25
3 PLC	± 0.10
4 PLC	± -
ANGLES	± -

SHEET	2 of 4	REV	H
-------	--------	-----	---

4

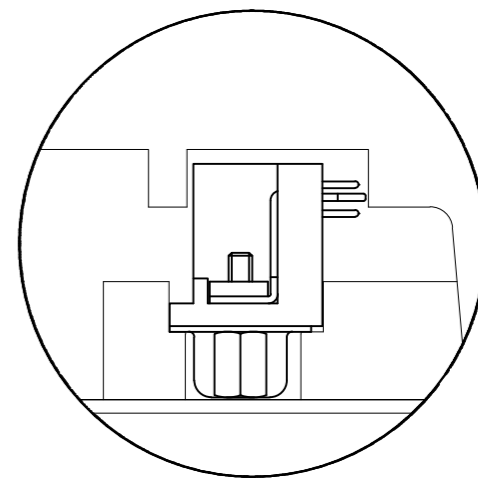
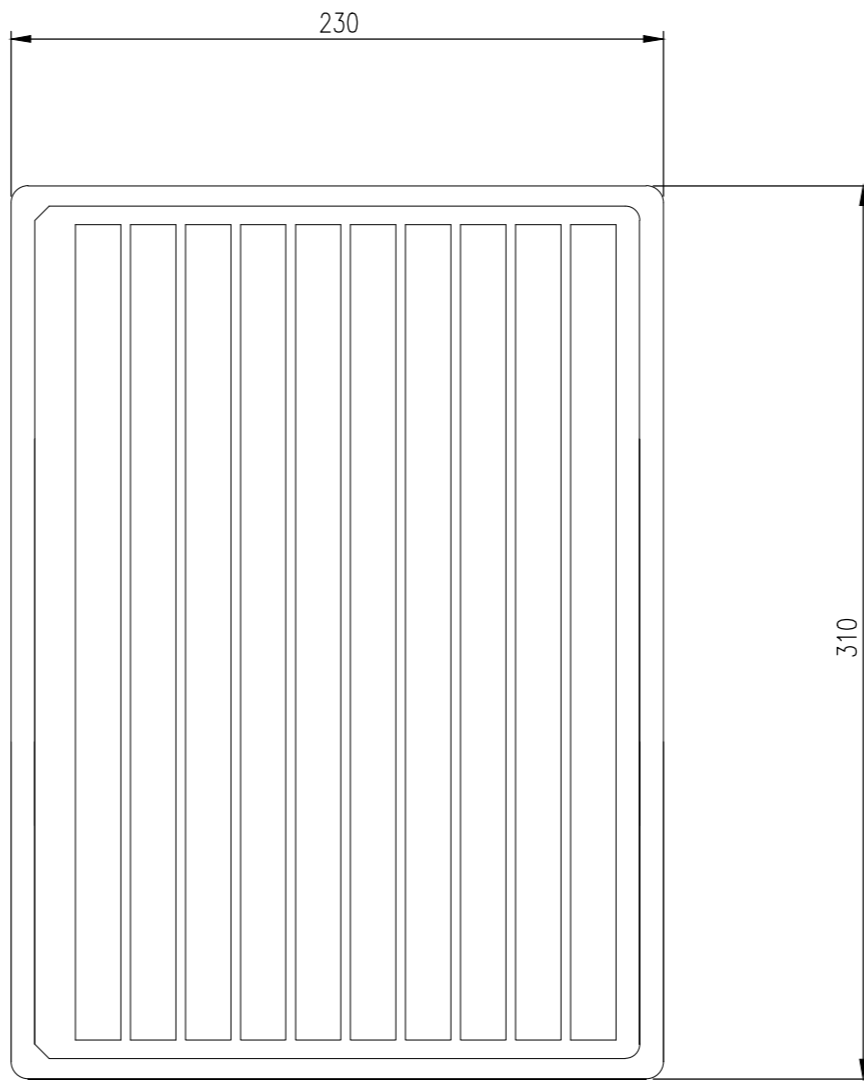
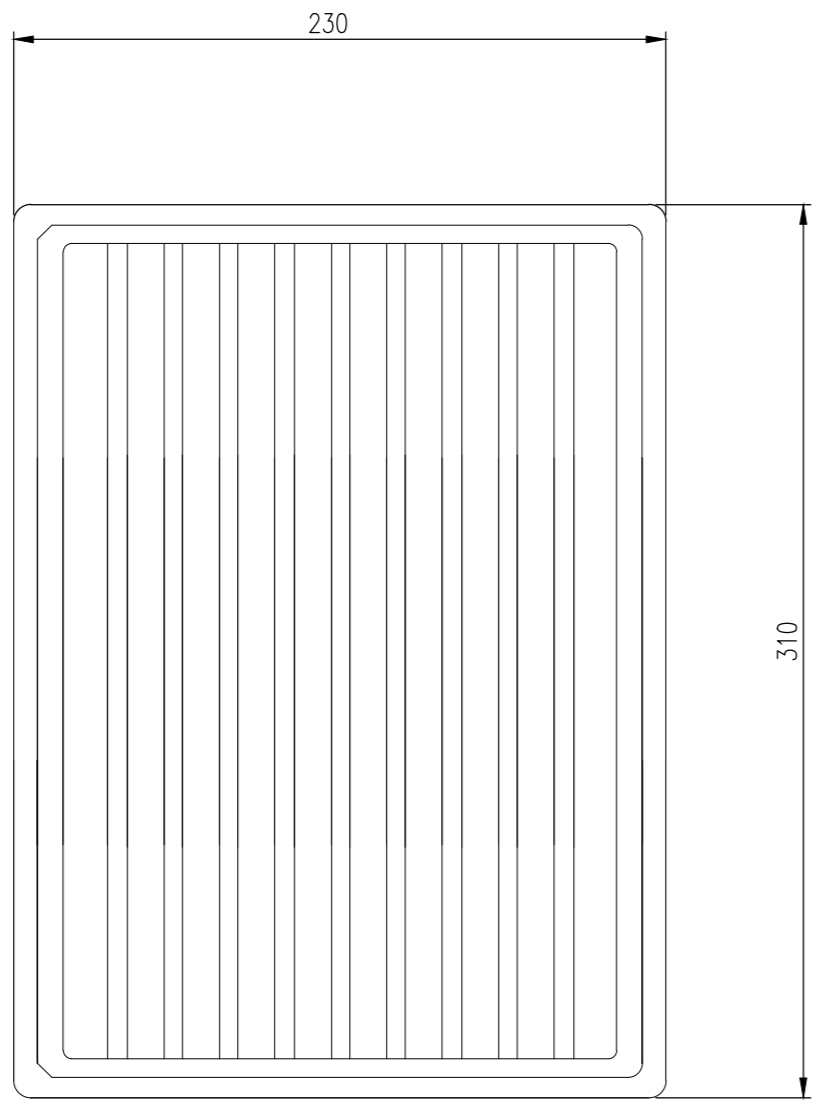
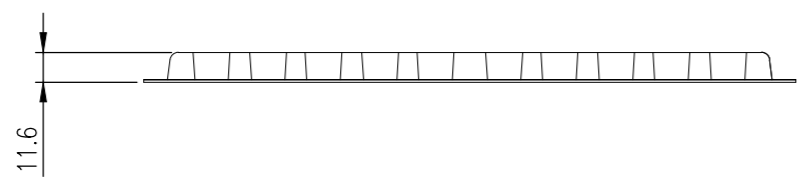
3

2

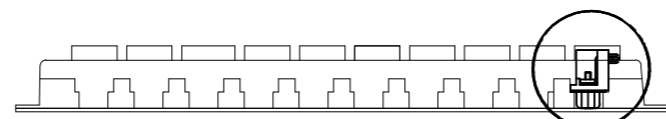
1

THIS DRAWING IS UNPUBLISHED. RELEASED FOR PUBLICATION
 © COPYRIGHT - By - ALL RIGHTS RESERVED.

REVISIONS					
P	LTR	DESCRIPTION	DATE	DWN	APVD
-	-	SEE SHEET 1	-	-	-



DETAIL A



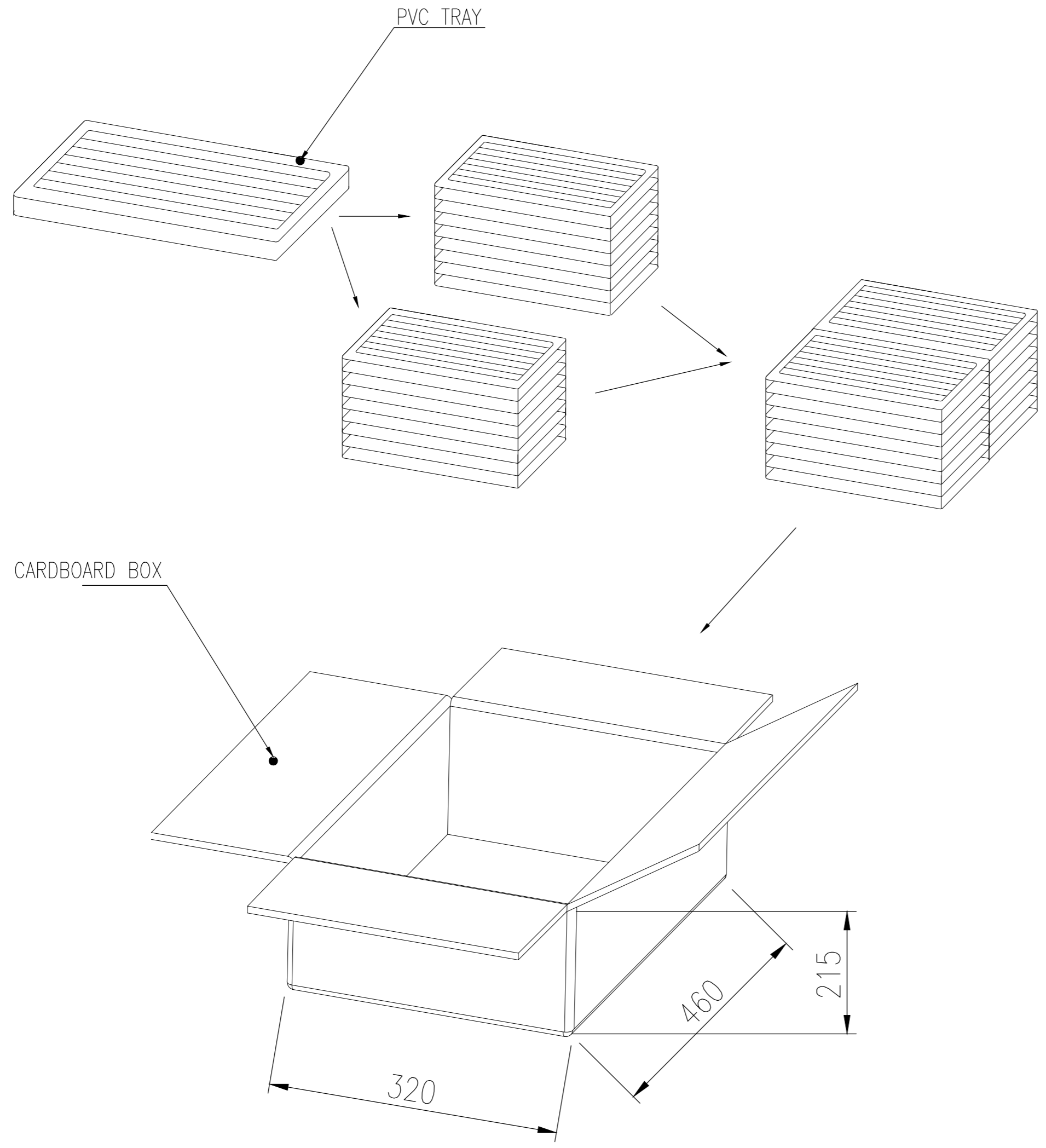
DETAIL A

THIS DRAWING IS A CONTROLLED DOCUMENT.		DWN AJITH PAI 07FEB2017																										
DIMENSIONS: mm		CHK DAN GORENC 07FEB2017																										
TOLERANCES UNLESS OTHERWISE SPECIFIED:		APVD - 07FEB2017	NAME 9 WAY D-SUB SOCKET WITH BOARD LOCK																									
<table border="1"> <tr><td>0</td><td>PLC</td><td>±</td><td>-</td></tr> <tr><td>1</td><td>PLC</td><td>±</td><td>0.38</td></tr> <tr><td>2</td><td>PLC</td><td>±</td><td>0.25</td></tr> <tr><td>3</td><td>PLC</td><td>±</td><td>0.10</td></tr> <tr><td>4</td><td>PLC</td><td>±</td><td>-</td></tr> <tr><td colspan="2">ANGLES</td><td>±</td><td>-</td></tr> </table>		0	PLC	±	-	1	PLC	±	0.38	2	PLC	±	0.25	3	PLC	±	0.10	4	PLC	±	-	ANGLES		±	-	PRODUCT SPEC 108-130013	SIZE A2	
0	PLC	±	-																									
1	PLC	±	0.38																									
2	PLC	±	0.25																									
3	PLC	±	0.10																									
4	PLC	±	-																									
ANGLES		±	-																									
MATERIAL -		FINISH -	APPLICATION SPEC -	CAGE CODE 00779																								
		WEIGHT 0	DRAWING NO C=2301844	RESTRICTED TO -																								
CUSTOMER DRAWING			SCALE 3:1	SHEET 3 of 4																								
			REV H																									

2301844

THIS DRAWING IS UNPUBLISHED. RELEASED FOR PUBLICATION
 © COPYRIGHT - By - ALL RIGHTS RESERVED.

REVISIONS					
P	LTR	DESCRIPTION	DATE	DWN	APVD
-	-	SEE SHEET 1	-	-	-



15.672	13.651	90	16	1440	2301844-2
13.080	11.059	90	16	1440	2301844-1
GROSS WEIGHT	NET WEIGHT	PCS/TRAY	TRAYS / CARTON	QUANTITY	PART NUMBER

THIS DRAWING IS A CONTROLLED DOCUMENT.		DWN AJITH PAI 07FEB2017			
DIMENSIONS: mm		CHK DAN GORENC 07FEB2017			
TOLERANCES UNLESS OTHERWISE SPECIFIED:		APVD - 07FEB2017	NAME 9 WAY D-SUB SOCKET WITH BOARD LOCK		
0 PLC ± -		PRODUCT SPEC 108-130013	SIZE A2	CAGE CODE 00779	DRAWING NO C=2301844
1 PLC ± 0.38		APPLICATION SPEC -	RESTRICTED TO -		
2 PLC ± 0.25		WEIGHT 0	SCALE 1:1		
3 PLC ± 0.10		CUSTOMER DRAWING	SHEET 4 OF 4		REV H
4 PLC ± -					
ANGLES ± -					
FINISH -					

2301844

Mouser Electronics

Authorized Distributor

Click to View Pricing, Inventory, Delivery & Lifecycle Information:

[TE Connectivity:](#)

[2301844-2](#)