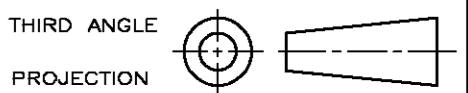


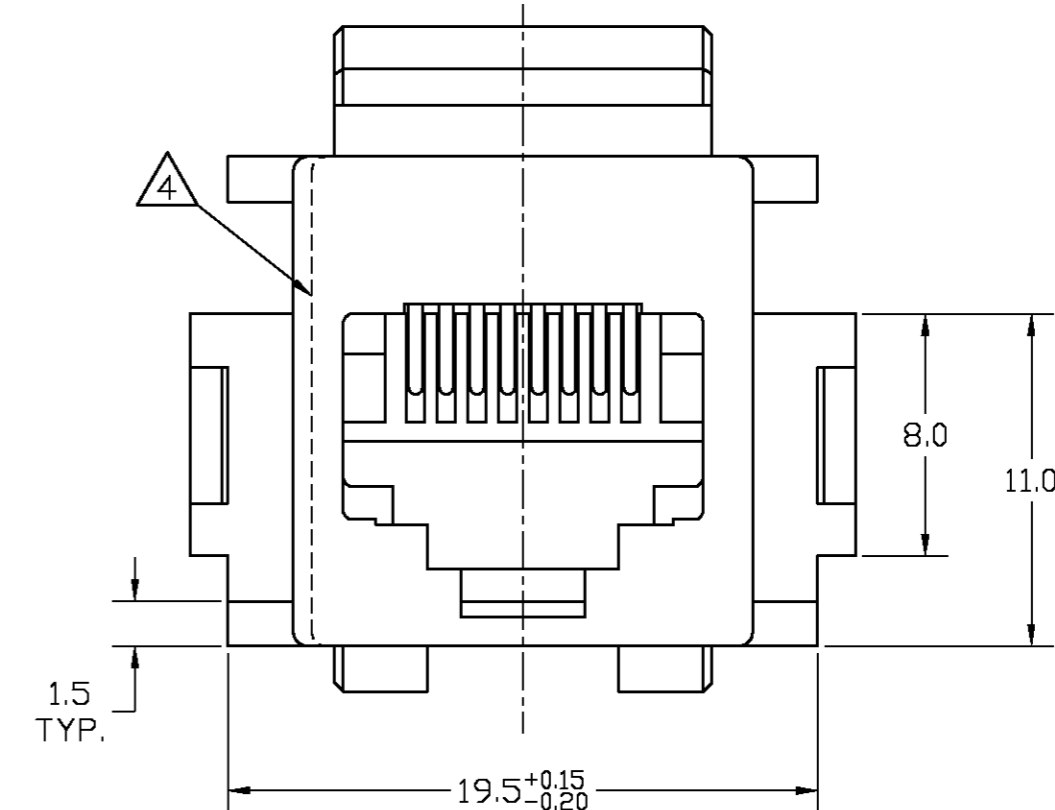
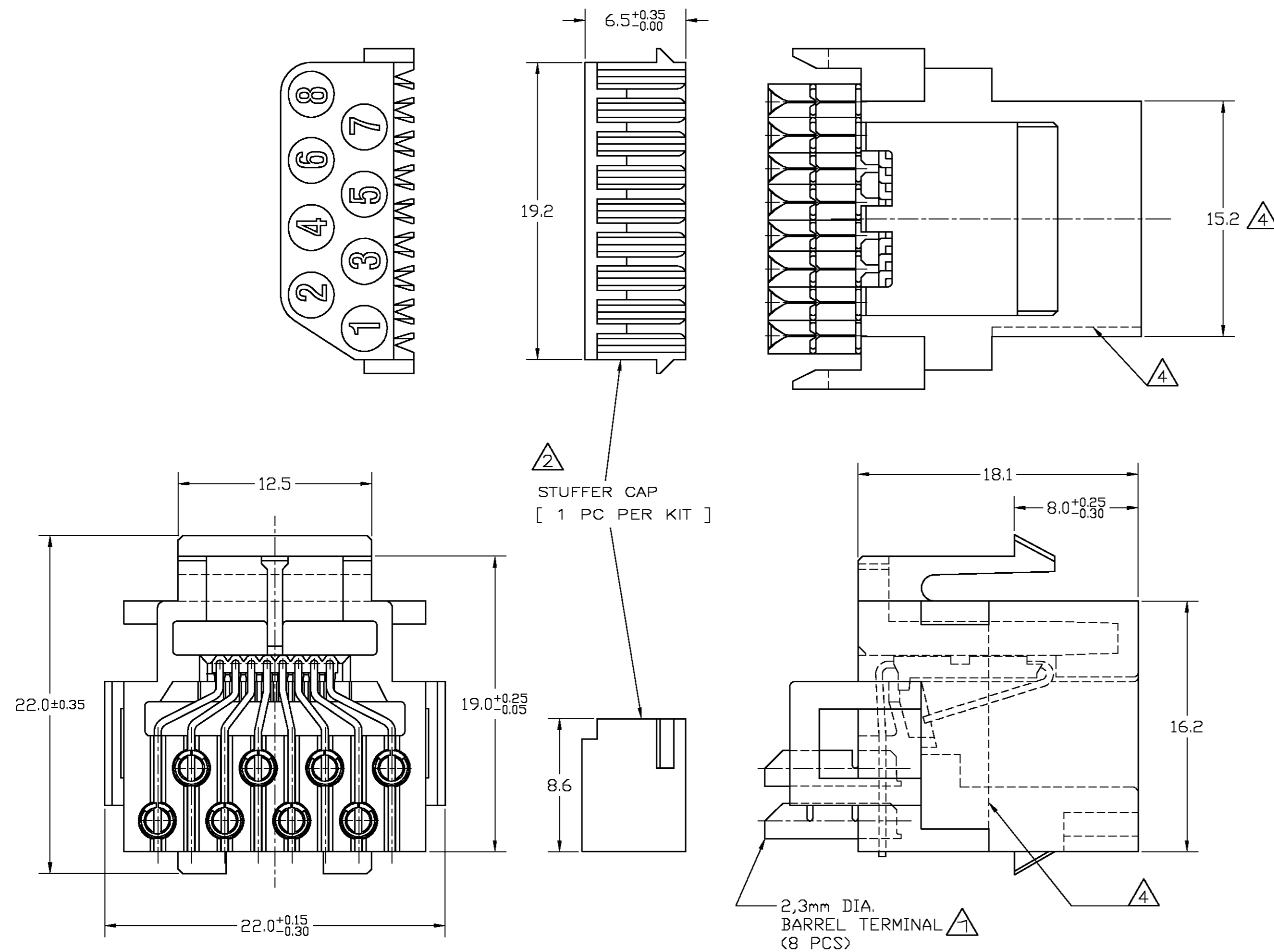
DO NOT SCALE
DIMENSIONS IN mm

METRIC



NOTES:

- △1 BARREL TERMINALS WILL ACCEPT ONE OR TWO WIRES OF THE SAME SIZE PER TERMINAL.
WIRE SIZE FOR SOLID AND STRANDED WIRES:
0,12 mm² (26 AWG)–0,35 mm² (22 AWG).
MAXIMUM INSULATION DIA. 1,2 mm.
- △2 STUFFER CAP IS SHIPPED NOT ASSEMBLED.
- △3 MATERIALS: STUFFER CAP – A.B.S. UL 94HB
BARREL TERMINALS – PHOS.BRONZE, PRE-TINPLATED.
CONTACTS – PHOS.BRONZE, PLATED 1,25µm
SELECTIVE GOLD OVER 1,25µm NICKEL.
HOUSING – PBT, UL 94HB
- △4 FOR 216005-4 DIMENSION 15,2 IS 14,6 ,
CORRESPONDING WITH THE MARKED DASH LINES

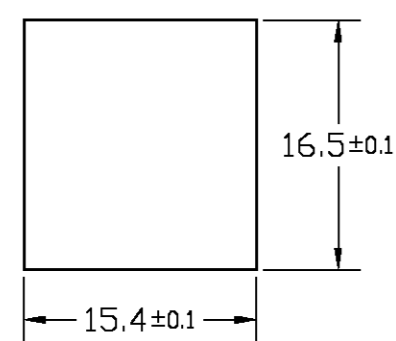
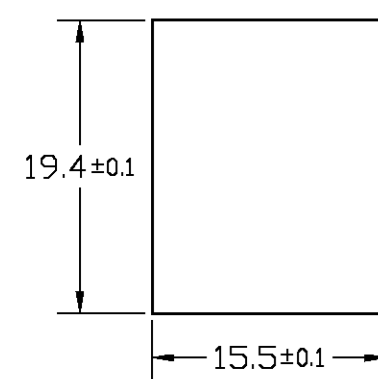


SUGGESTED PANEL CUTOUT DIMENSIONS

SCALE 2 : 1

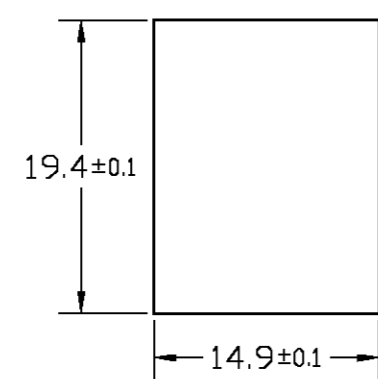
X-216005-1

X-216005-4 AND X-216005-5

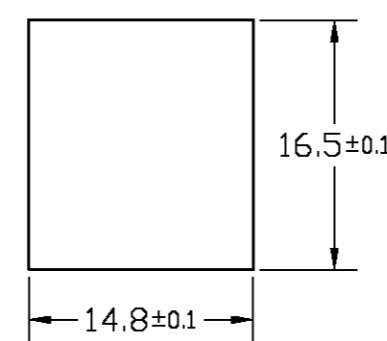


CUTOUT FOR BACK PANEL MOUNTING

CUTOUT FOR FRONT PANEL MOUNTING



CUTOUT FOR BACK PANEL MOUNTING



CUTOUT FOR FRONT PANEL MOUNTING

PANEL THICKNESS: 1,6 mm NOMINAL

TOLERANCE: ±0,15 UNLESS SPECIFIED OTHERWISE

500 PCS. IN A BOX	SEE NOTE △3	HOUSING COLOR: BLACK △3 SEE NOTE △3	216005-4 216005-1
PACKAGING	FINISH	MATERIAL	PARTNUMBER

CUSTOMER DRAWING FOR REFERENCE ONLY WILL NOT BE UPDATED

THIS DRAWING IS UNPUBLISHED
RELEASED FOR PUBLICATION _____, 19____



P1	REVISED PER ECO-11-005294	RK	HMR	05APR11
LTR.	REVISION RECORD	DR.	CHK.	DATE
DR.: J.V.LIEMPT	CHK.: W.BRUMMANS	APP.: L. SOEST	DWG.No.	
DATE: 21 JAN 91	DATE:	DATE: 12 OCT 99	C-216005	

NAME	TITLE	REV.	LTR.	SHEET
	TOOLLESS MODULAR JACK KIT		P1	1 OF 1
	8 POS., FOR DISCRETE WIRES			A2

Mouser Electronics

Authorized Distributor

Click to View Pricing, Inventory, Delivery & Lifecycle Information:

[TE Connectivity:](#)

[216005-4](#)