

4

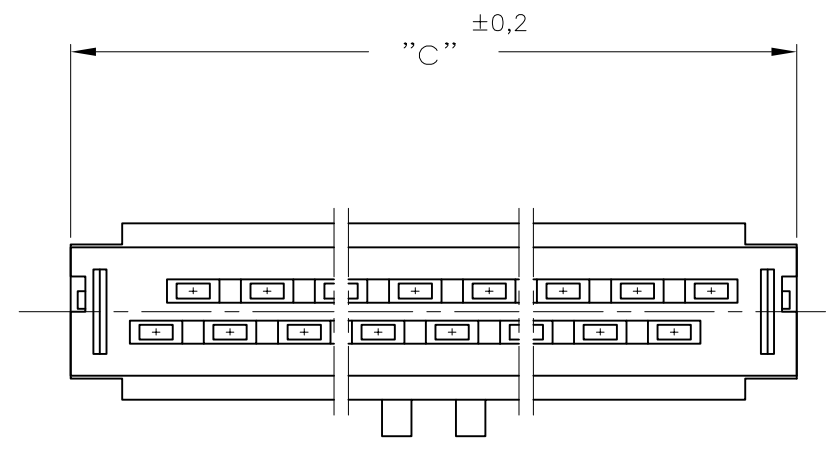
3

2

1

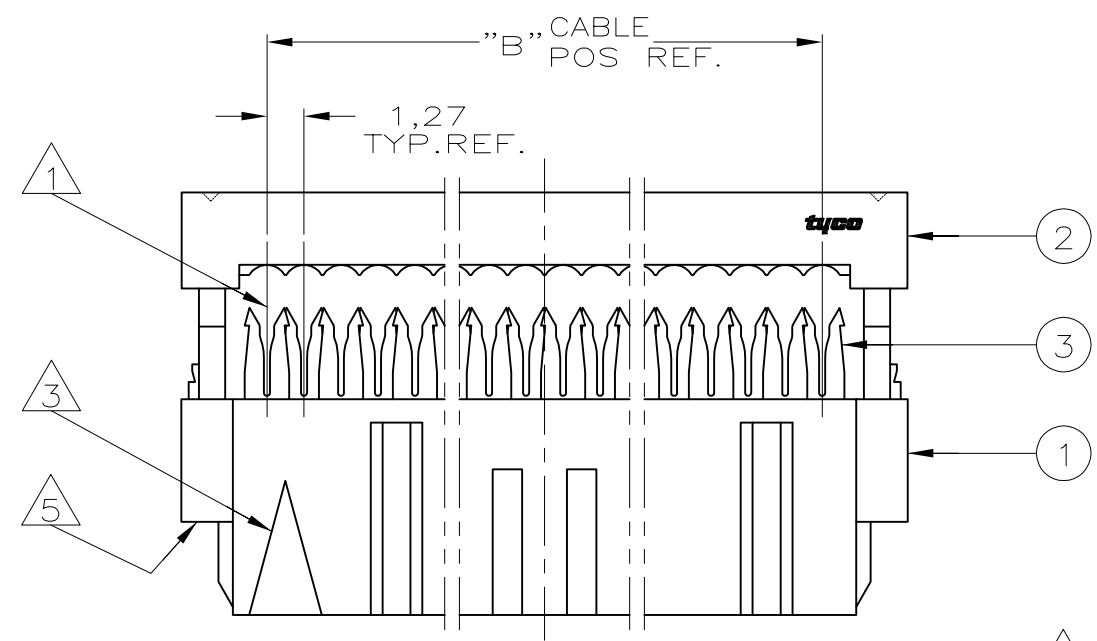
THIS DRAWING IS UNPUBLISHED. RELEASED FOR PUBLICATION
 © COPYRIGHT - By - ALL RIGHTS RESERVED.

LOC	DIST	REVISIONS					
		P	LTR	DESCRIPTION	DATE	DWN	APVD
J	-		E	ADDED PACKING INFORMATION	27JUN2012	Y.U	T.K

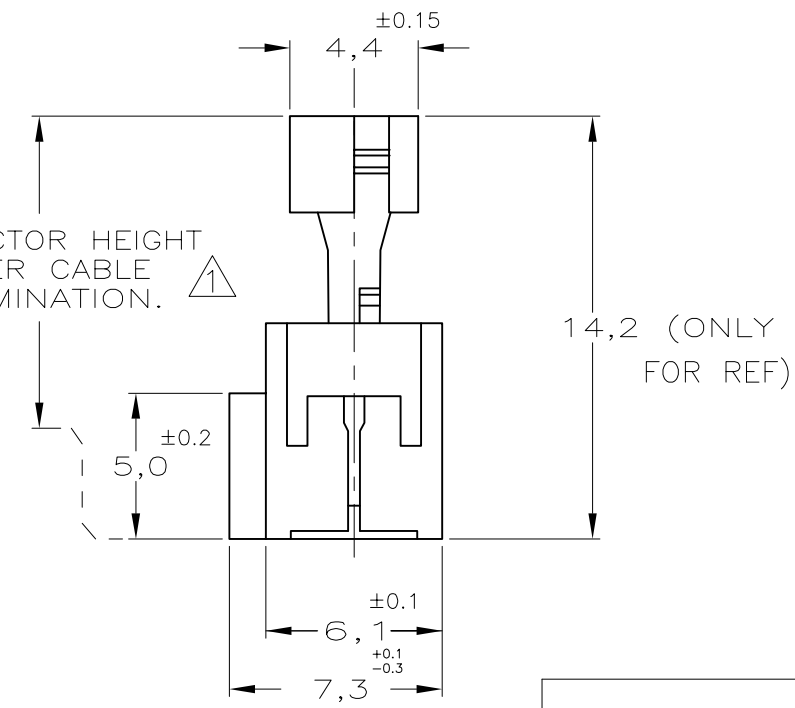


NOTES:

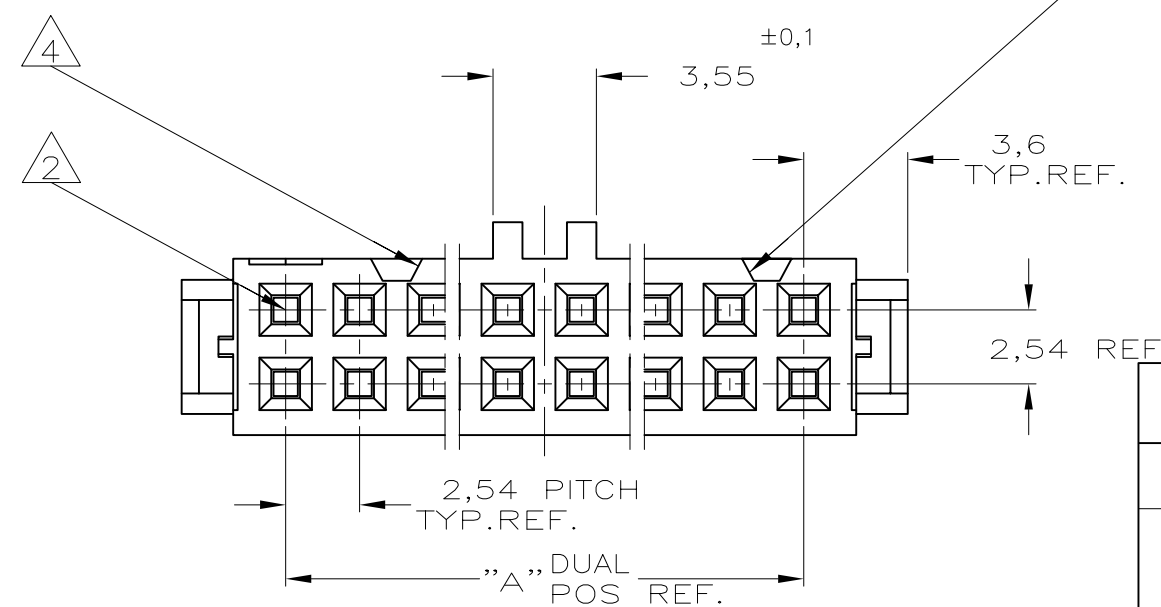
- ① CONNECTOR IS DESIGNED FOR FLAT RIBBON CABLE ON 1,27 CENTERS . FOR CABLE REQUIREMENTS SEE AMP APPLICATION SPECIFICATION 114-19022.
- ② THESE RECEPTACLE CONNECTORS MATE WITH 0,64^{±0,05} mm SQUARE OR ROUND POSTS ON 2,54mm GRID.
- ③ MARK INDICATING FIRST CABLE POSITION REFERRING TO CONTACT POSITION.
- ④ THERE IS NO POLARIZATION-SLOT AT THIS END IN 6, 10 AND 14 POS CONNECTORS.
- ⑤ THESE CONNECTORS CAN BE USED IN CONJUNCTION WITH STRAIN-RELIEF COVERS OF PARTNR: 182762.
- ⑥ THERE IS NO POLARIZATION-SLOT AT THIS END IN 6 POS CONNECTORS.
- ⑦ PRODUCT SPECIFICATION 108-19033.
- ⑧ OBSOLETE PARTS: OBSOLETE CIS STREAMLINING PER D.RENAUD/D.SINISI



CONNECTOR HEIGHT AFTER CABLE TERMINATION. ①



DIM."C"	"B" CABLE POS.	"A" DUAL POS.	PARTNUMBER	PART REV.	
85,9	64	32	6-215911-4	D	
80,8	60	30	6-215911-0	D	
68,1	50	25	5-215911-0	D	
60,5	44	22	4-215911-4	D	
55,4	40	20	4-215911-0	D	
47,8	34	17	3-215911-4	D	
42,7	30	15	3-215911-0	D	
37,6	26	13	2-215911-6	D	
30,0	20	10	2-215911-0	D	
24,9	16	8	1-215911-6	D	
22,4	14	7	1-215911-4	D	
17,3	10	5	1-215911-0	D	
OBSOLETE	14,8	8	4	0-215911-8	C
OBSOLETE	12,2	6	3	0-215911-6	D
OBSOLETE	9,7	4	2	0-215911-4	C



COMPONENT NAME	MATERIAL	PLATING / COLOUR
③ RECEPTACLE CONTACT	PHOSPHORBRONZE Cu Sn6	AT CONTACT-PLACE: 0,2µm GOLD AT WIRING END: 2,5µm TIN ENTIRE UNDERCOATING: 1,27µm NICKEL
② COVER	THERMOPLASTIC POLYESTER UL 94 -V0	GREY RAL 7032 (ONLY FOR REF.)
① HOUSING		

THIS DRAWING IS A CONTROLLED DOCUMENT.		DWN	W.R.VERBEET	04FEB1988	 TE Connectivity	NAME		AMP-LATCH_MIL-TYPE RECEPTACLE_CONNECTOR ASSEMBLY_(SYMMETRIC_COVER)				
DIMENSIONS: mm		CHK	R.VERSTIJNEN	05FEB1988		PRODUCT SPEC		SIZE		CAGE CODE	DRAWING NO	RESTRICTED TO
TOLERANCES UNLESS OTHERWISE SPECIFIED:		APVD	L.V.SOEST	05FEB1988		APPLICATION SPEC		A3		00779	C-215911	
MATERIAL		FINISH		WEIGHT		CUSTOMER DRAWING		SCALE		SHEET	REV	
SEE TABLE		SEE TABLE		-	CUSTOMER DRAWING		4:1		1 OF 2	E		

4

3

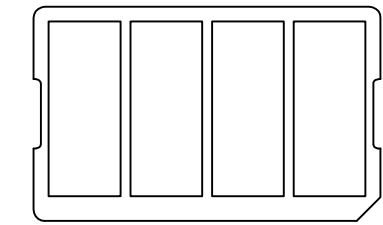
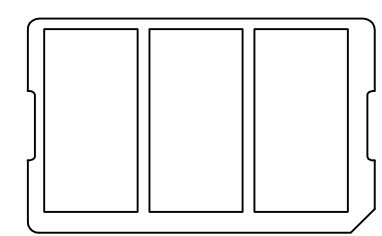
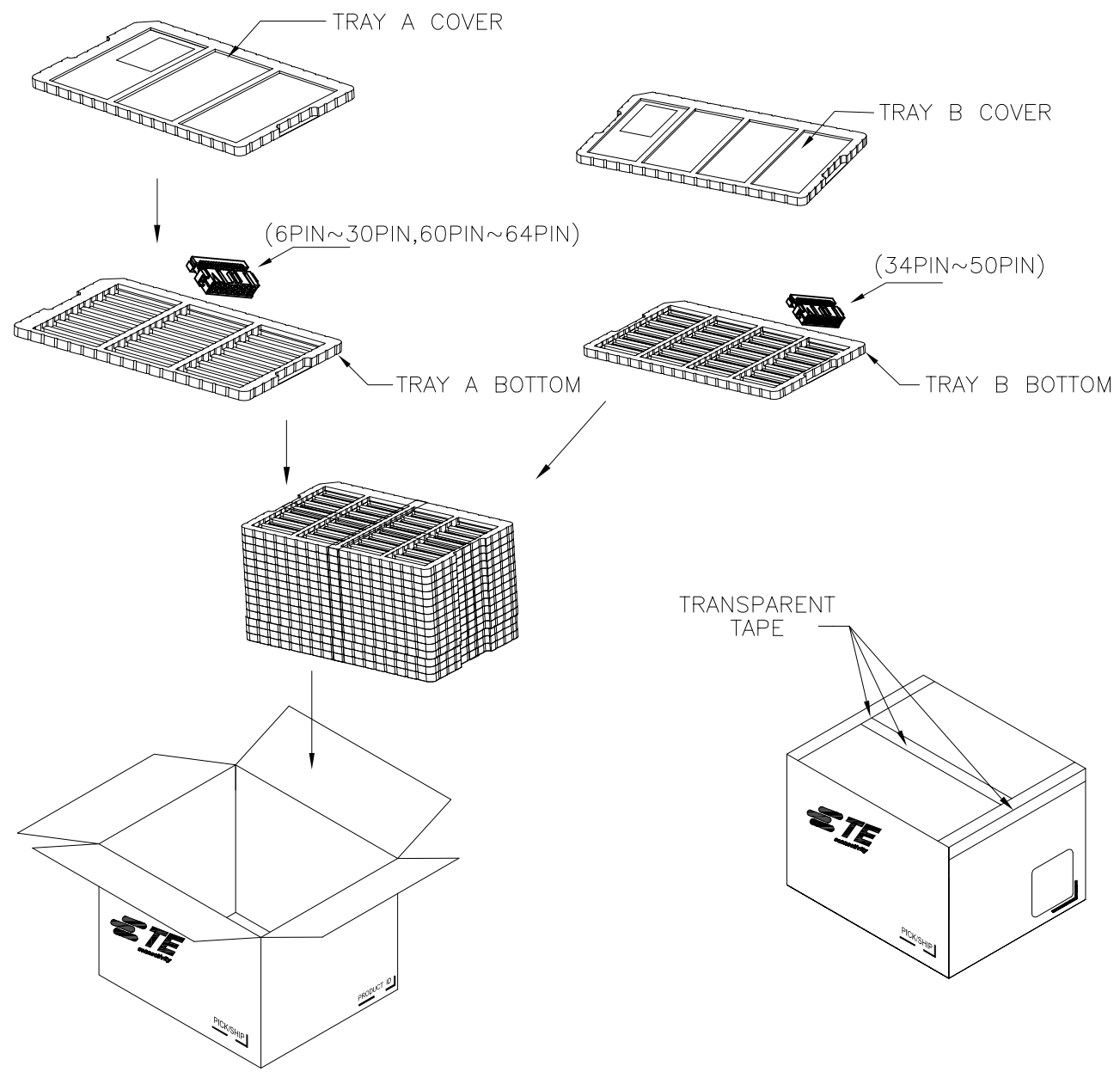
2

1

THIS DRAWING IS UNPUBLISHED. RELEASED FOR PUBLICATION
 © COPYRIGHT - By - ALL RIGHTS RESERVED.

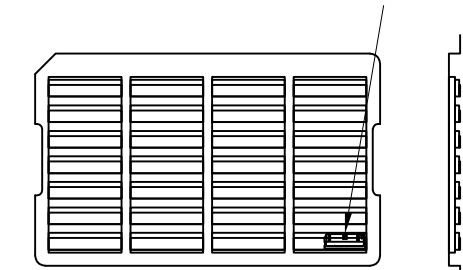
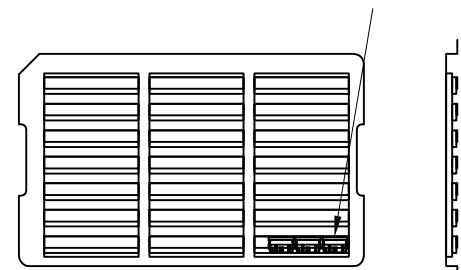
LOC	DIST	REVISIONS					
		P	LTR	DESCRIPTION	DATE	DWN	APVD
J	-	-	-	SEE SHEET 1	-	-	-

PACKAGING SPECIFICATION



TRAY A COVER

TRAY B COVER



TRAY A BOTTOM

TRAY B BOTTOM

THIS DRAWING IS A CONTROLLED DOCUMENT.		DWN W.R.VERBEET.	04FEB1988	TE Connectivity	
DIMENSIONS: mm		CHK R.VERSTIJNEN	05FEB1988		
		APVD L.V.SOEST	05FEB1988	NAME AMP-LATCH_MIL-TYPE RECEPTACLE_CONNECTOR ASSEMBLY_(SYMMETRIC_COVER)	
TOLERANCES UNLESS OTHERWISE SPECIFIED:		PRODUCT SPEC		RESTRICTED TO	
0 PLC ± -		APPLICATION SPEC		SIZE	CAGE CODE
1 PLC ± -		WEIGHT		A3	00779
2 PLC ± -		CUSTOMER DRAWING		DRAWING NO C-215911	
3 PLC ± -		SCALE		SHEET	
4 PLC ± -		SHEET		2 OF 2	
ANGLES ± -		REV		E	
MATERIAL		FINISH			

Mouser Electronics

Authorized Distributor

Click to View Pricing, Inventory, Delivery & Lifecycle Information:

[TE Connectivity:](#)

[1-215911-0](#)