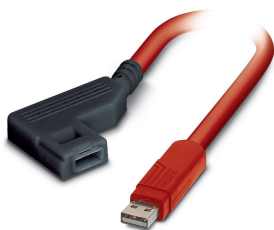


## Cable for programming - RAD-CABLE-USB - 2903447

Please be informed that the data shown in this PDF Document is generated from our Online Catalog. Please find the complete data in the user's documentation. Our General Terms of Use for Downloads are valid (<http://phoenixcontact.com/download>)




Radioline - USB data cable for communication between the PC and Radioline devices, energy supply for diagnostics and configuration via the USB port of the PC, cable length: 2 m / 6.5 ft

### Your advantages

- Power supply for diagnostics and configuration via the USB port of the PC



### Key Commercial Data

Packing unit	1 pc
GTIN	 4 046356 739429
GTIN	4046356739429
Weight per Piece (excluding packing)	64.300 g
Custom tariff number	85444290
Country of origin	Germany
Sales Key	DNC61Z

### Technical data

#### Note

Utilization restriction	EMC: class A product, see manufacturer's declaration in the download area
-------------------------	---

#### Dimensions

Fixed cable length	2 m
--------------------	-----

#### Ambient conditions

Ambient temperature (operation)	-25 °C ... 70 °C (-13 °F ... 158 °F)
Ambient temperature (storage/transport)	-40 °C ... 85 °C (-40 °F ... 185 °F)

#### General

Connection 1	PC side
	IFS (male)

# Cable for programming - RAD-CABLE-USB - 2903447

## Technical data

### General

Connection method	USB 2.0 Fullspeed
Note	serial
Connection 2	Device side
	USB type A (male)
Connection method	IFS data port

### Conformance/approvals

Designation	EAC
Identification	EAC

### Standards and Regulations

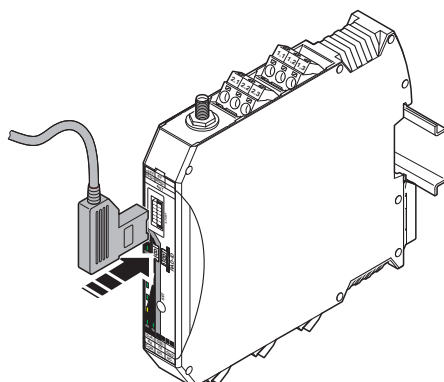
Electromagnetic compatibility	Conformance with EMC Directive 2014/30/EU
Noise emission	EN 61000-6-4
Noise immunity	EN 61000-6-2

### Environmental Product Compliance

China RoHS	Environmentally Friendly Use Period = 50 years
	For details about hazardous substances go to tab "Downloads", Category "Manufacturer's declaration"

## Drawings

Schematic diagram



### Example application

## Classifications

### eCl@ss

eCl@ss 10.0.1	19179290
eCl@ss 11.0	19179090
eCl@ss 4.0	27370800

# Cable for programming - RAD-CABLE-USB - 2903447

## Classifications

### eCl@ss

eCl@ss 4.1	27370800
eCl@ss 5.0	27370800
eCl@ss 5.1	27370800
eCl@ss 6.0	27379200
eCl@ss 7.0	19059205
eCl@ss 9.0	19179290

### ETIM

ETIM 3.0	EC001423
ETIM 4.0	EC001408
ETIM 5.0	EC001408
ETIM 6.0	EC000310
ETIM 7.0	EC000310

### UNSPSC

UNSPSC 6.01	30211506
UNSPSC 7.0901	43223108
UNSPSC 11	39121008
UNSPSC 12.01	43223108
UNSPSC 13.2	43223108
UNSPSC 18.0	43222604
UNSPSC 19.0	43222604
UNSPSC 20.0	43222604
UNSPSC 21.0	43222604

## Approvals

### Approvals

---

Approvals

EAC

---

Ex Approvals

---

### Approval details

EAC		EAC-Zulassung
-----	--	---------------

## Cable for programming - RAD-CABLE-USB - 2903447

### Accessories

#### Accessories

#### Communication module

##### Communication module - RAD-RS485-IFS - 2702184



Radioline - RS-485 multipoint multiplexer, can be extended with I/O modules, can be used as Modbus/RTU bus coupler or can be combined with Radioline wireless system, up to 99 stations, range of up to 1.2 km on in-house copper cables

---

#### Wireless module

##### Wireless module - RAD-2400-IFS - 2901541



Radioline - 2.4 GHz wireless transceiver with RS-232/RS-485 interface, can be extended with I/O modules, RSMA (female) antenna connection, point-to-point, star, and mesh networks up to 250 stations, range of up to 5 km (with a clear line of sight), for worldwide use

---

##### Wireless module - RAD-900-IFS - 2901540



Radioline - 900 MHz wireless transceiver with RS-232/485 interface, can be extended with I/O modules, RSMA (female) antenna connection, point-to-point, star, and mesh networks up to 250 stations, range of up to 32 km (line of sight), use in North America

---

##### Wireless module - RAD-868-IFS - 2904909



Radioline - 868 MHz wireless transceiver with RS-232/RS-485 interface, can be extended with I/O modules, RSMA (female) antenna connection, point-to-point, star, and mesh networks up to 99 stations, range of up to 20 km (with a clear line of sight), for use in Europe