


VS-08-A-RJ45/MOD-1-R-IP67

Order No.: 1689844



RJ45 panel mounting frame, IP67, for modular socket inserts (Keystone), for round panel cutout, with grommet, with thread and union nut, color: gray

Ethernet**Commercial data**

EAN	 4 017918 970802
Pack	1
Customs tariff	85389099
Gross weight in pieces	11.33 g
Country of Origin	DE
Catalog page information	Page 289 (PC-2011)

Product notes

WEEE/RoHS-compliant since:
10/05/2006



Please note that the data given here has been taken from the online catalog. For comprehensive information and data, please refer to the user documentation at <http://www.download.phoenixcontact.com>. The General Terms and Conditions of Use apply to Internet downloads.

Technical data**Mechanical characteristics**

Number of slots	1
Insertion/withdrawal cycles	≥ 1000
Color	gray
Tightening torque, min.	2.5 Nm
Ambient temperature (operation)	-40 °C ... 80 °C

Material data

Inflammability class according to UL 94	V0
Housing material	PA
Material	Plastic
Sealing material	NBR
Seal material	NBR
Degree of protection	IP67

Electrical characteristics

Pollution degree	2
------------------	---

Certificates

Certification

Certifications applied for:

Certification Ex:

Accessories

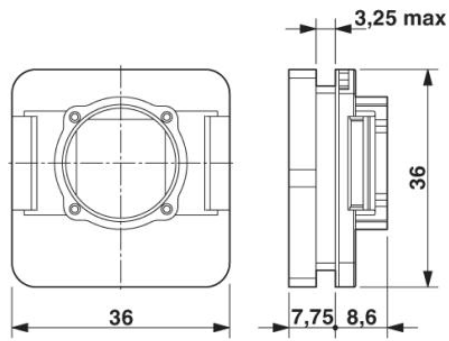
Item	Designation	Description
Female insert		
1653155	VS-08-BU-RJ45-6-MOD/BU	RJ45 socket insert, modular (Keystone), CAT6 (Link test), 8-position, shielded, socket on socket
1653168	VS-08-BU-RJ45-6/KA/LSA	RJ45 socket insert, modular (Keystone), CAT6, 8-pos., shielded, with cable connection (LSA), for litz and solid wires AWG 26 ... 22
1689064	VS-08-BU-RJ45/BU	RJ45 socket insert, modular (Keystone), CAT5e, 8-pos., shielded, socket on socket
1689459	VS-08-BU-RJ45/KA/LSA	RJ45 socket insert, modular (Keystone), CAT5e, 8-pos., shielded, with cable connection (LSA), for solid wires AWG 26 ... 22
1656356	VS-RJ11-BU-MOD/BU	Socket insert RJ11, modular system (Keystone), 6-pos., unshielded

Protective covers

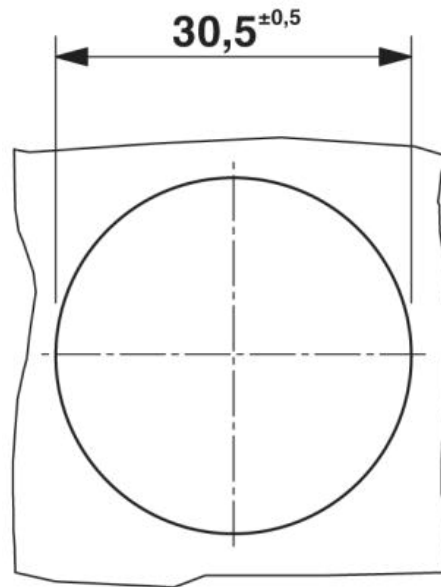
1689200	VS-08-SD	Protective cover, IP67, tall design
1652606	VS-08-SD-F	Protective cover, IP67, flat design, to cover the contact insert in the panel mounting frame, color: gray

Drawings

Dimensioned drawing

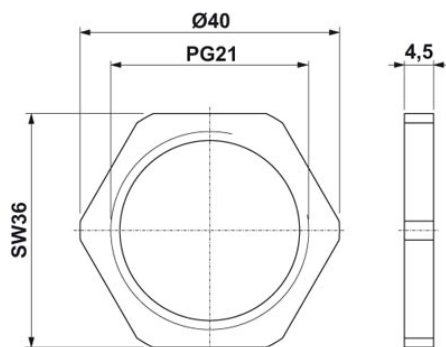


RJ45 panel mounting frame, IP67



Panel cutout

Union nut



Address

PHOENIX CONTACT Ltd
Halesfield 13
Telford / Shropshire / TF7 4PG, England
Phone 01952 681 700
Fax 01952 681 799
<http://www.phoenixcontact.co.uk>



Phoenix Contact Ltd.
Technical modifications reserved;