

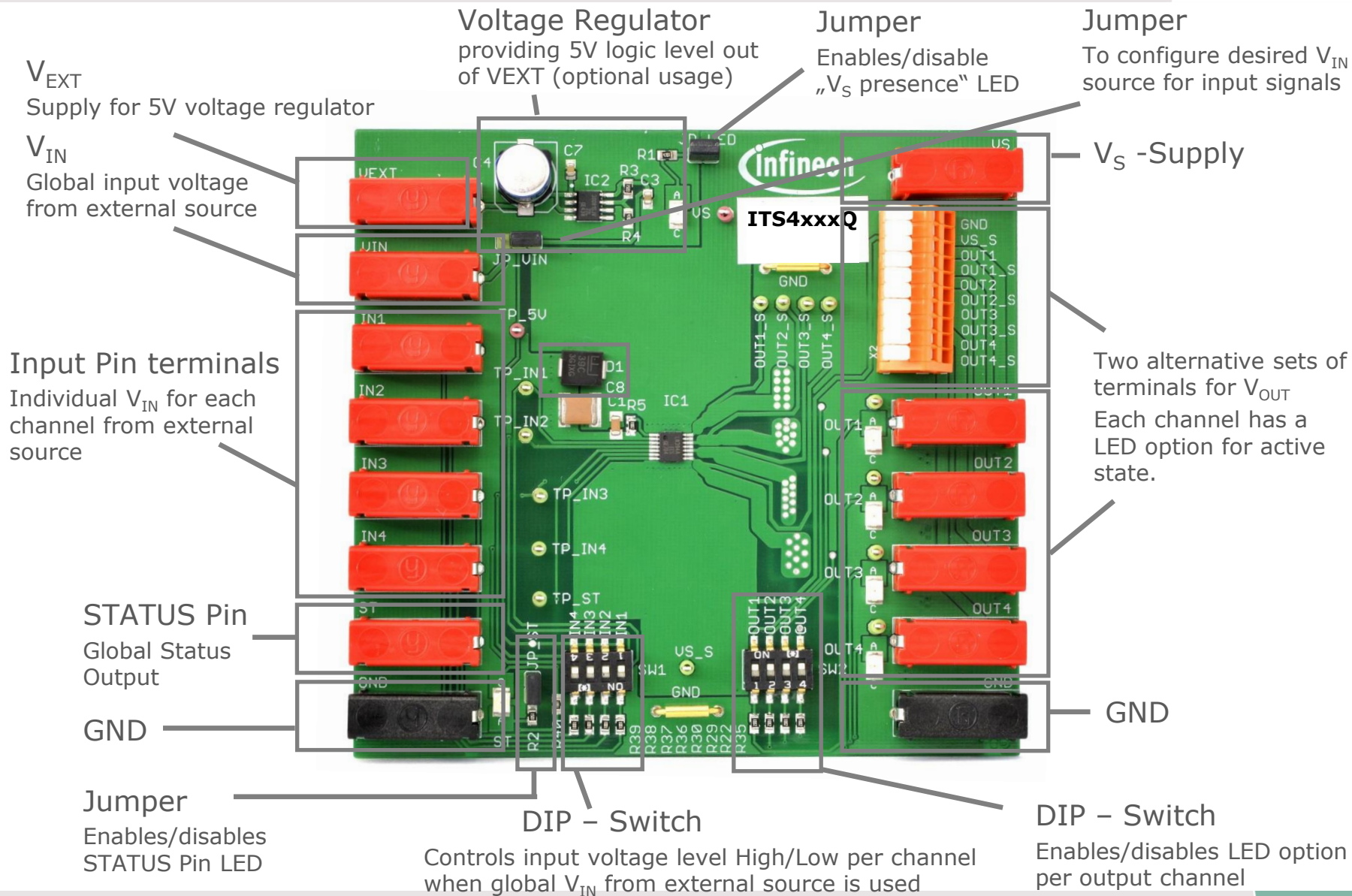
ITS4xxxQ Evaluation Board Rev. 1.2

Schematics & Layout

ITS4075Q
ITS4130Q
ITS4090Q



Board Overview



Schematics

Voltage Regulator to generate 5V-logic levels for inputs

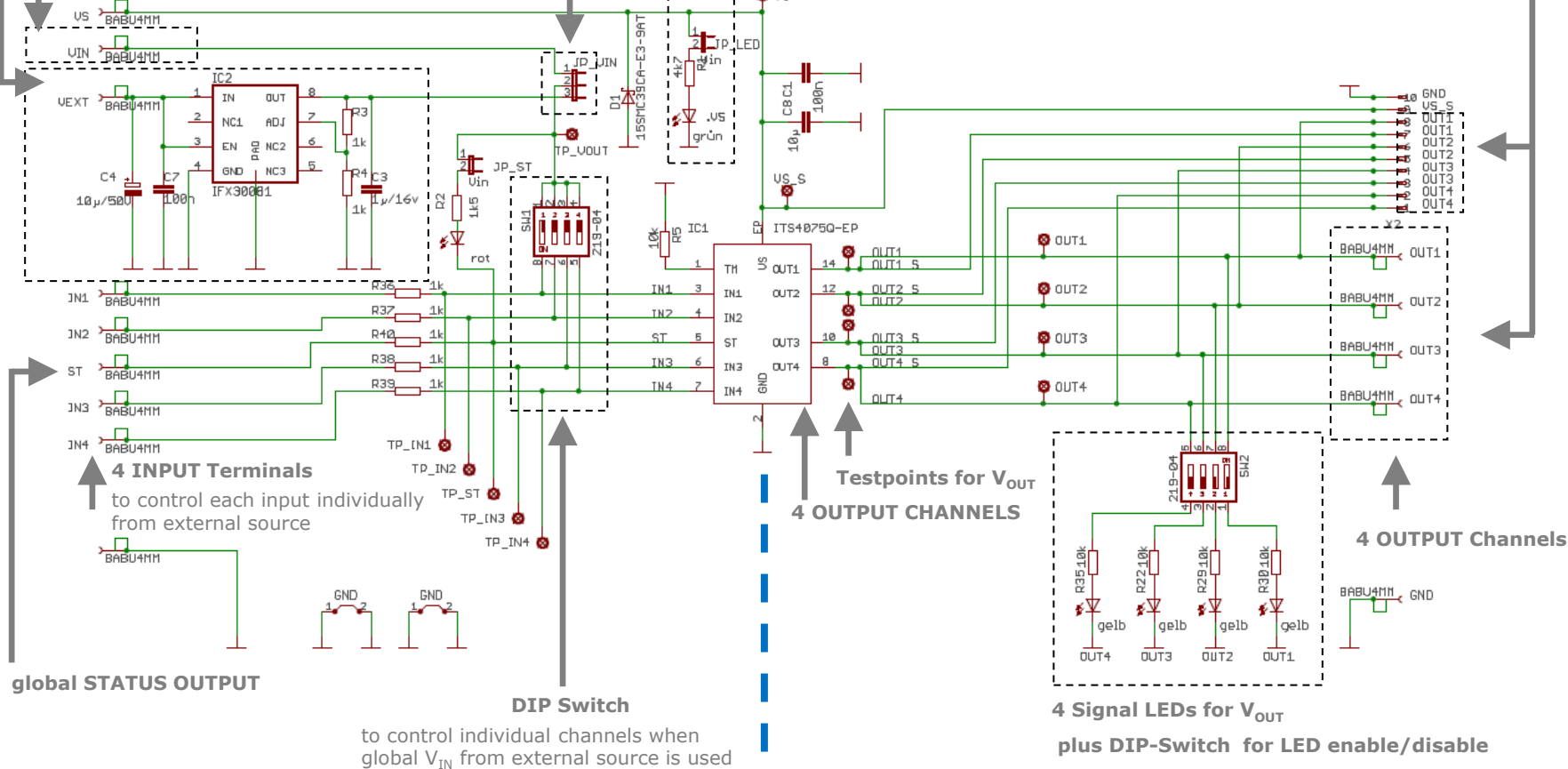
V_{IN} Terminal: for providing external levels globally to all input pins

„Power-Up“ LED
Indicates whether V_S is applied
Plus jumper to dsable LED

Jumper to select input source

Two alternative sets of terminals for V_{OUT} :

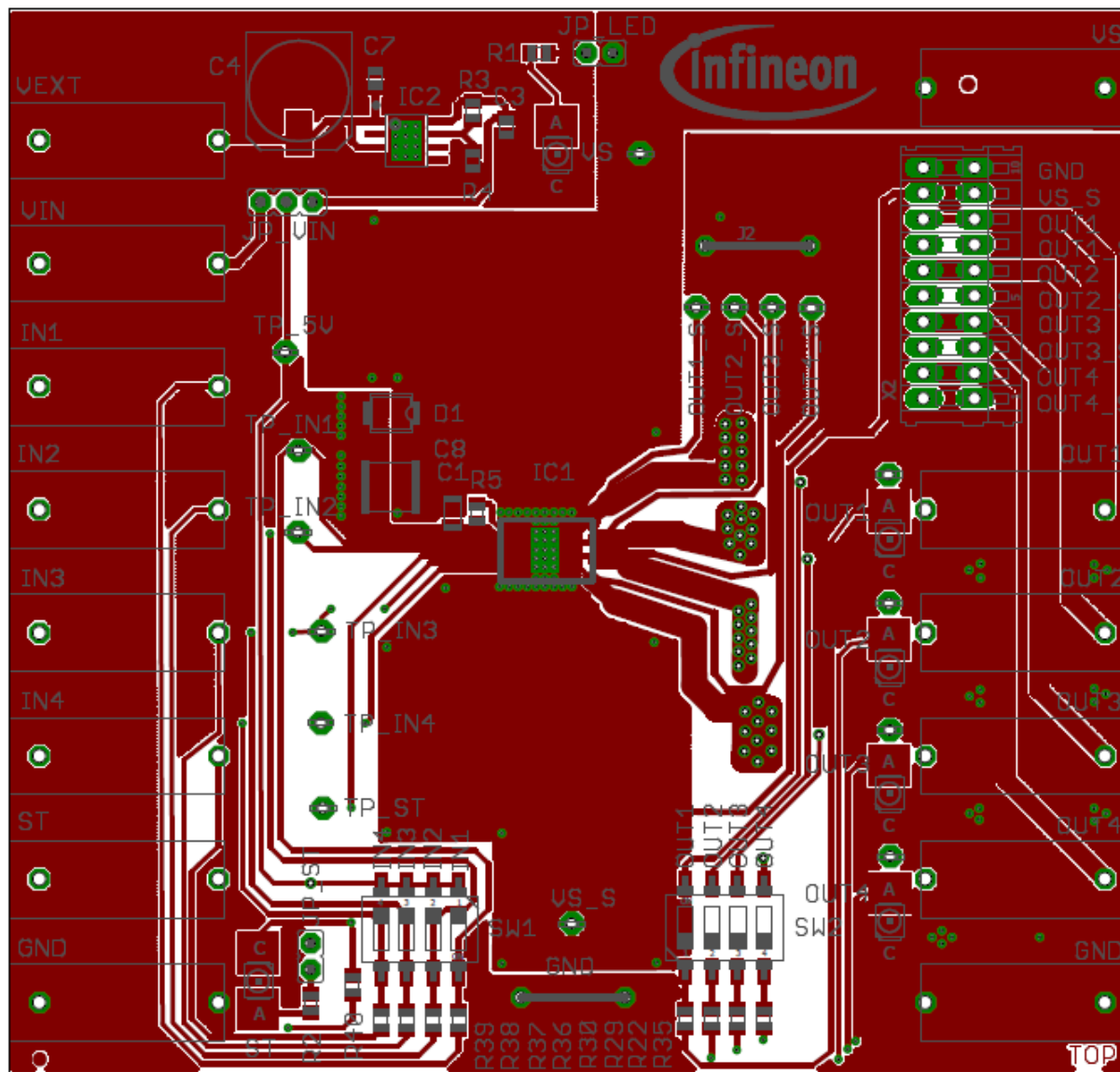
- Banana Plugs
- Bare wire Connector



CONTROL/INPUT - Side

POWER/OUTPUT - Side

Top Layer





Part of your life. Part of tomorrow.



Mouser Electronics

Authorized Distributor

Click to View Pricing, Inventory, Delivery & Lifecycle Information:

[Infineon:](#)

[DEMOBOARDITS4075QTOBO1](#) [DEMOBOARDITS4090QTOBO1](#) [DEMOBOARDITS4130QTOBO1](#)