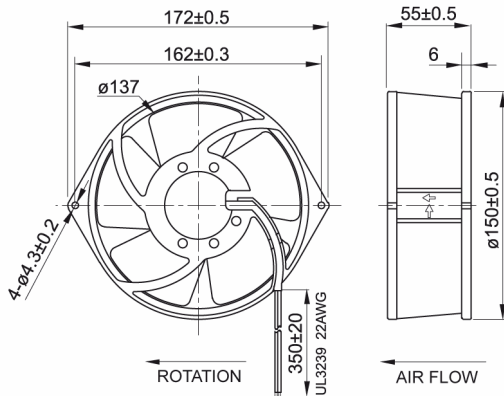
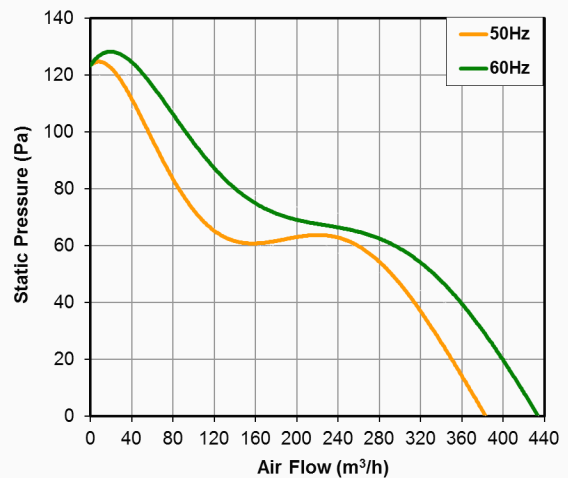


"A17TM" SERIES COSTECH FANS

Description: **Axial fan a.c. 172X150x55mm**



Casing material:	Black varnished aluminum
Impeller material	Metal
Protection degree:	IP20, according to EN 60529 standard
Fixing system:	by No 2 M4 screws
Motor protection:	thermal
Storage temperature:	from -40°C to +90°C
Rated temperature range:	from -40°C to +70°C
Lifetime L10 at 40°C:	40,000 h
Electrical connection:	2 leads 22AWG UL 3239, 350 mm long
Approvals:	UL E223195
Weight:	1.1 kg



Model	Bearing	Voltage (V)	Frequency (Hz)	Rated Current (A)	Rated Power (W)	Max Air Flow** (m3/h)	Static Pressure (Pa)	Noise [db(A)]	RPM (rpm)	Approvals
A17T12SWBM00	Ball	115 V a.c.	50/60	0.54/0.51	45/45	383/434	123/126	58.0/61.0	2,750/3,150	CE; cURus
A17T23SWBM00	Ball	230 V a.c.	50/60	0.270/0.250	45/45	383/434	123/126	58.0/61.0	2,750/3,150	CE; cURus

All specifications, data and drawing are subject to change without notice and are approximate. Please refer to our terms of sales including our warranty and limited liabilities clauses.