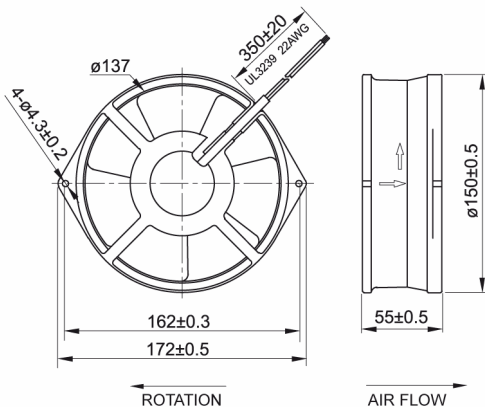
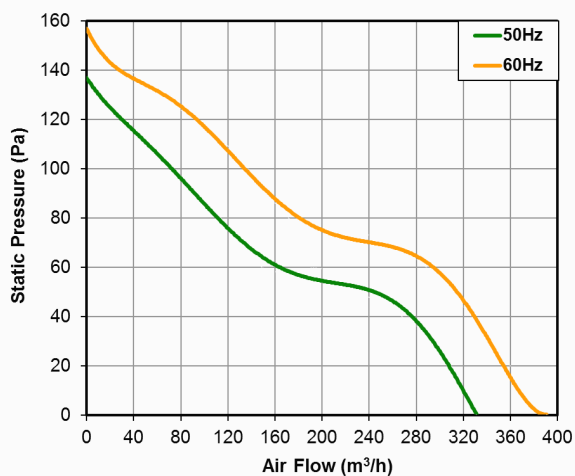


"A17MM" SERIES COSTECH FANS

Description: **Axial fan a.c. 172X150x55mm**



| | |
|---------------------------------|--------------------------------------|
| Casing material: | Black varnished aluminum |
| Impeller material | Metal |
| Protection degree: | IP44, according to EN 60529 standard |
| Fixing system: | by No 2 M4 screws |
| Motor protection: | thermal |
| Storage temperature: | from -40°C to +80°C |
| Rated temperature range: | from -40°C to +70°C |
| Lifetime L10 at 40°C: | 40,000 h |
| Electrical connection: | 2 leads 22AWG UL 3239, 350 mm long |
| Weight: | 1.1 kg |
| Approvals: | UL E223195 |



| Model | Bearing | Voltage (V) | Frequency (Hz) | Rated Current (A) | Rated Power (W) | Max Air Flow** (m3/h) | Static Pressure (Pa) | Noise [db(A)] | RPM (rpm) | Approvals |
|--------------|---------|----------------|-------------------|----------------------|--------------------|--------------------------|-------------------------|------------------|--------------|-----------|
| A17M12SWBM00 | Ball | 115 V a.c. | 50/60 | 0.52/0.470 | 42/42 | 332/391 | 137/157 | 49.0/53.0 | 2,800/3,250 | CE; cURus |
| A17M23SWBM00 | Ball | 230 V a.c. | 50/60 | 0.250/0.230 | 42/42 | 332/391 | 137/157 | 49.0/53.0 | 2,800/3,250 | CE; cURus |

All specifications, data and drawing are subject to change without notice and are approximate. Please refer to our terms of sales including our warranty and limited liabilities clauses.