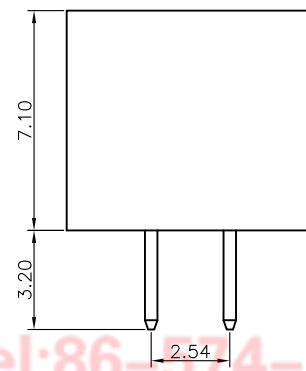
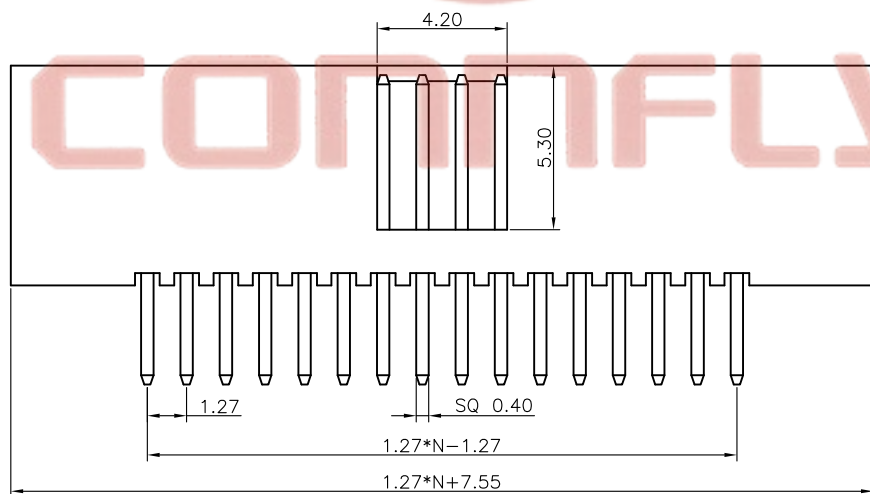
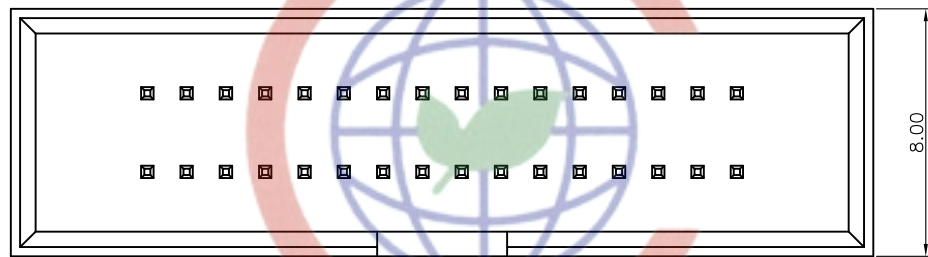


REV.	DESCRIPTION	DRAWN	CHECKED	APPROVED
A	NEW RELEASE	YCH 09/04/08'	~	



NOTES:

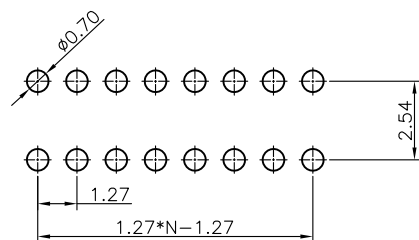
- MATERIAL
  - INSULATOR:THERMOPLASTIC(UL 94V-0).
  - CONTACT MATERIAL:COPPER ALLOY.
- SPECIFICATION
  - CURRENT RATING:1.0 Amp.
  - INSULATION RESISTANCE:1000MΩ Min.
  - DIELECTRIC WITHSTANDING:300VAC.
  - CONTACT RESISTANCE:20mΩ Max.
  - OPERATING TEMPERATURE:-40°C TO+105°C.

3. PART NUMBER: DS1031-16

4. PRODUCT NUMBER CODE:

DS1031-16 - X X X X

- HOUSING COLOR  
B:BLACK
- CONTACT PLATING  
8: FULL GOLD FLASH  
6: FULL TIN
- MOUNTING TYPE  
V: STRAIGHT TYPE
- No.OF CONTACTS  
10 20 26 30 34  
40 50 60 68 70  
80 90 100



RECOMMEND PCB LAYOUT(TOLERANCE=±0.05)

Tel:86-574-63508787  
 Fax:86-574-63510817  
 E-mail:sale@zhenqin.com.cn  
 Http://www.connfly.com

GENERAL TOLERANCE		ANGLE TOLERANCE		PROJECTION		TITLE	1.27*2.54mm BOX HEADER PITCH	
X.	±0.60	X.	±5°	UNITS	mm			
.X	±0.38	.X	±3°	SHEET SIZE	A4	SERIES	DS1031-16 SERIES	
.XX	±0.25	.XX	±2°					
DRAWING TYPE		CUSTOMER				晨翔电子有限公司		
SCALE		1:1	SHEET	1 OF 1		CONNFLY CONNFLY ELECTRONIC CO. LTD		
DRAWING NO.		C-DS1031-16-XXXX						