

1658640-1 ✓ ACTIVE

AMPLIMITE

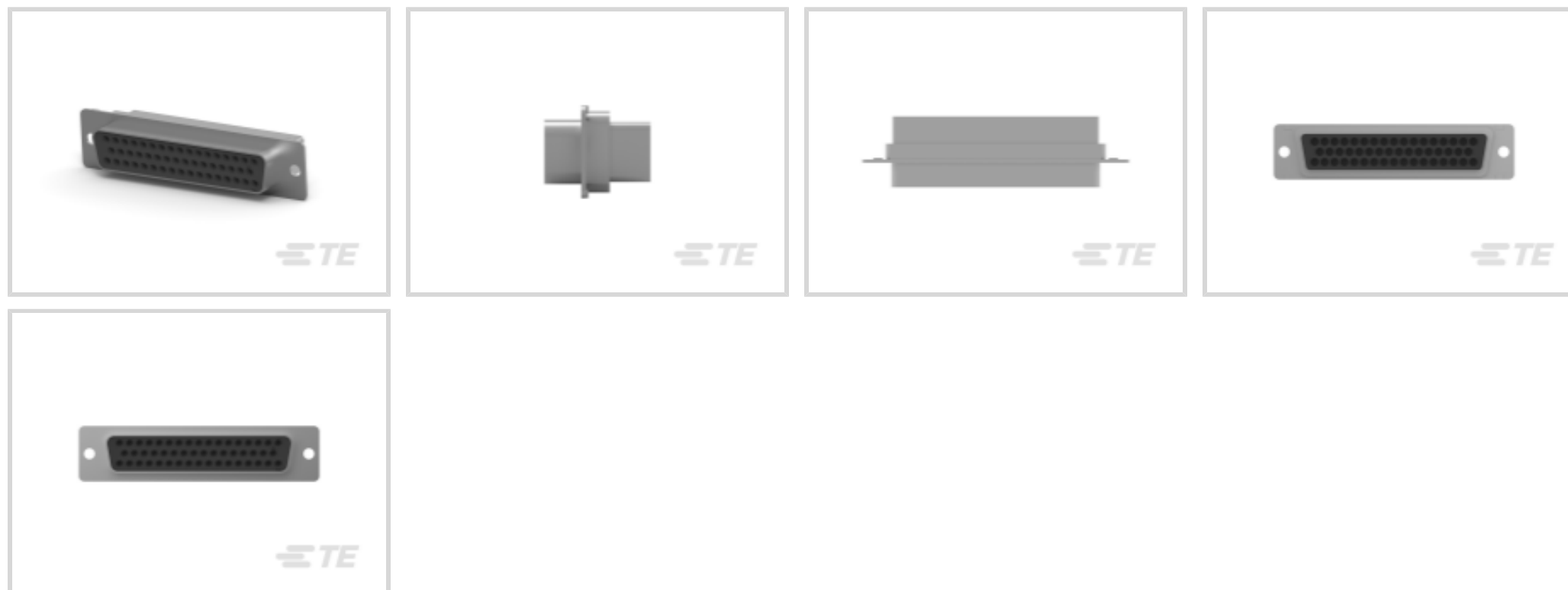
TE Internal #: 1658640-1

Crimp D-Sub Connectors, Receptacle, Cable-to-Cable, 50 Position,
20 D-Sub Contact Size, 5 D-Sub Shell Size, Mating Retention,
Mounting Holes, Shielded

[View on TE.com >](#)



Connectors > D-Shaped Connectors > D-Sub Connectors > Crimp D-Sub Connectors



Connector & Housing Type: **Receptacle**

Connector System: **Cable-to-Cable**

Number of Positions: **50**

D-Sub Contact Size: **20**

D-Sub Shell Size: **5**

Features

Product Type Features

Grounding Indents	Without
Product Type	Connector
Grade	Standard
Shell Type	Full Metal Shell
Connector & Housing Type	Receptacle
Connector System	Cable-to-Cable
D-Sub Shell Size	5
Sealable	No
Connector & Contact Terminates To	Wire & Cable

Configuration Features

Number of Positions	50
---------------------	----

Body Features

Shell Plating Material	Tin
Shield Plating Material	Steel



Shell Material	Steel
----------------	-------

Insert Material	Glass-Filled Nylon
-----------------	--------------------

Contact Features

D-Sub Contact Size	20
--------------------	----

Mechanical Attachment

Mating Retention	With
------------------	------

Mating Retention Type	Mounting Holes
-----------------------	----------------

Housing Features

Housing Color	Black
---------------	-------

Housing Material	Nylon GF, Polyester GF
------------------	------------------------

Centerline (Pitch)	2.74 mm, 2.76 mm, 2.79 mm [.108 in][.109 in] [.11 in]
--------------------	--

Dimensions

Cable Insulation Diameter Range	4.58 – 11.68 mm
---------------------------------	-----------------

Wire Size	.2 – .56 mm ²
-----------	--------------------------

Usage Conditions

Operating Temperature Range	-55 – 105 °C [-67 – 221 °F]
-----------------------------	-----------------------------

Operation/Application

Shielded	Yes
----------	-----

Circuit Application	Signal
---------------------	--------

Industry Standards

Insert Flammability Rating	UL 94V-0
----------------------------	----------

UL Flammability Rating	UL 94V-0
------------------------	----------

Packaging Features

Packaging Quantity	225
--------------------	-----

Packaging Method	Package
------------------	---------

Other

Comment	Receptacles accept size 20 DF socket contacts.
---------	--

Product Compliance

For compliance documentation, visit the product page on [TE.com](https://www.te.com)>



EU RoHS Directive 2011/65/EU	Compliant
EU ELV Directive 2000/53/EC	Compliant
China RoHS 2 Directive MIIT Order No 32, 2016	No Restricted Materials Above Threshold
EU REACH Regulation (EC) No. 1907/2006	Current ECHA Candidate List: JAN 2020 (205) Candidate List Declared Against: JUN 2018 (191) Does not contain REACH SVHC
EU REACH Regulation (EC) No. 1907/2006	Current ECHA Candidate List: JAN 2020 (205) Candidate List Declared Against: JUN 2018 (191)
Halogen Content	Not Low Halogen - contains Br or Cl > 900 ppm.
Solder Process Capability	Not applicable for solder process capability

Product Compliance Disclaimer

This information is provided based on reasonable inquiry of our suppliers and represents our current actual knowledge based on the information they provided. This information is subject to change. The part numbers that TE has identified as EU RoHS compliant have a maximum concentration of 0.1% by weight in homogenous materials for lead, hexavalent chromium, mercury, PBB, PBDE, DBP, BBP, DEHP, DIBP, and 0.01% for cadmium, or qualify for an exemption to these limits as defined in the Annexes of Directive 2011/65/EU (RoHS2). Finished electrical and electronic equipment products will be CE marked as required by Directive 2011/65/EU. Components may not be CE marked. Additionally, the part numbers that TE has identified as EU ELV compliant have a maximum concentration of 0.1% by weight in homogenous materials for lead, hexavalent chromium, and mercury, and 0.01% for cadmium, or qualify for an exemption to these limits as defined in the Annexes of Directive 2000/53/EC (ELV). Regarding the REACH Regulations, TE's information on SVHC in articles for this part number is still based on the European Chemical Agency (ECHA) 'Guidance on requirements for substances in articles' (Version: 2, April 2011), applying the 0.1% weight on weight concentration threshold at the finished product level. TE is aware of the European Court of Justice ruling of September 10th, 2015 also known as O5A (Once An Article Always An Article) stating that, in case of 'complex object', the threshold for a SVHC must be applied to both the product as a whole and simultaneously to each of the articles forming part of its composition. TE has evaluated this ruling based on the new ECHA "Guidance on requirements for substances in articles" (June 2017, version 4.0) and will be updating its statements accordingly.

Compatible Parts



TE Model / Part # 1658653-1
KIT,HDP-20,OVRMLD,RCPT,SIZE 5,



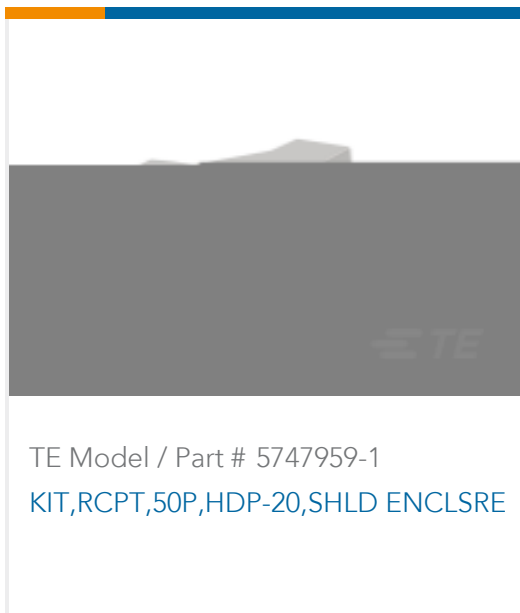
TE Model / Part # 1658661-1
KIT,HDP-20,ENCLSUR,PLUG,SIZE 5



TE Model / Part # 1658652-1
KIT,HDP-20,OVRMLD,PLUG,SIZE 5,



TE Model / Part # 1658641-2
HDP-20,PLUG,SIZE 5, 50 POSN



TE Model / Part # 5747959-1
KIT, RCPT, 50P, HDP-20, SHLD ENCLSR



TE Model / Part # 1658641-1
HDP-20, PLUG, SIZE 5, 50 POSN



TE Model / Part # 206509-1
SIZE 20 KEYING PLUG



TE Model / Part # 167296-1
50P.HDP20 PLUG ASSY



TE Model / Part # 1658641-3
PLUG ASSY SIZE 5



TE Model / Part # 5745883-2
PLUG ASSY, 50P, HDP-20, CN

Customers Also Bought



TE Model / Part # 1658641-2
HDP-20, PLUG, SIZE 5, 50 POSN



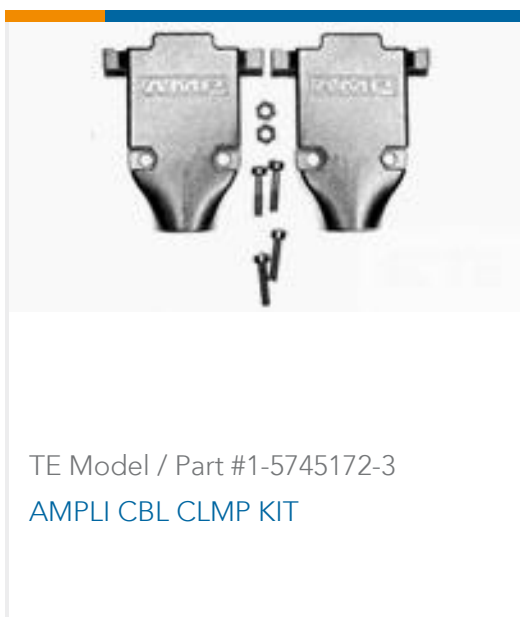
TE Model / Part # 205209-2
RECP ASSY SIZE 4



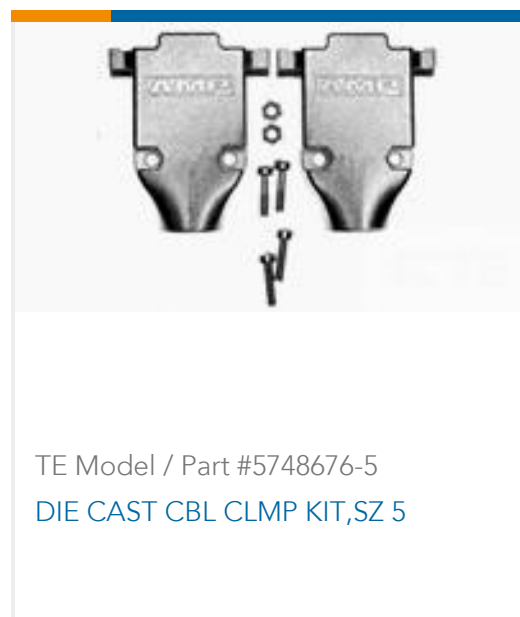
TE Model / Part # 747784-8
JACKSCREW KIT, 4-40, BULK



TE Model / Part # 3-747579-0
SHLDNG FERRULE, PLTD, BULK PKG



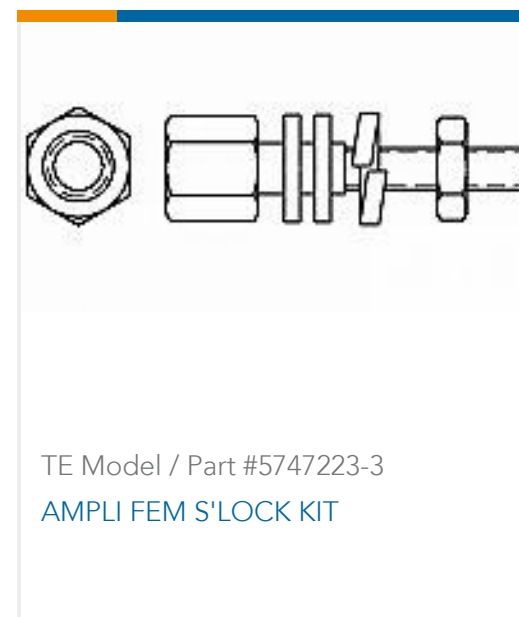
TE Model / Part # 1-5745172-3
AMPLI CBL CLMP KIT



TE Model / Part # 5748676-5
DIE CAST CBL CLMP KIT, SZ 5



TE Model / Part # 5745175-1
CABLE CLAMP KIT, SZ 5



TE Model / Part # 5747223-3
AMPLI FEM S'LOCK KIT



TE Model / Part # 205210-3
PLUG ASSY SIZE 4



TE Model / Part # 66507-3
20 DF PIN

Documents



Product Drawings

[HDP-20,RCPT,SIZE 5, 50 POSN](#)

English

CAD Files

Customer View Model

[ENG_CVM_1658640-1_C.2d_dxf.zip](#)

English

Customer View Model

[ENG_CVM_1658640-1_C.3d_igs.zip](#)

English

Customer View Model

[ENG_CVM_1658640-1_C.3d_stp.zip](#)

English

[3D PDF](#)

3D

By downloading the CAD file I accept and agree to the [Terms and Conditions](#) of use.

Datasheets & Catalog Pages

[AMPLIMITE Subminiature D Connectors - Cable Connectors](#)

English

[AMPLIMITE Cable Connectors and Shielding Hardware Kits QRG](#)

English

Product Specifications

[Application Specification](#)

English

Product Environmental Compliance

[MD_1658640-1_101520182325_dmtec](#)

English

[MD_1658640-1_101520182325_dmtec](#)

English

Instruction Sheets

[Instruction Sheet \(U.S.\)](#)

English

Agency Approvals

[UL Report](#)

English