

## SUMMARY

### # Wires



Image is for illustrative purpose only

Series	0S
Termination type	No contacts / Accessory
IP rating	0
AWG wire size	0.00 - 0.00
Cable Ø	0.00 - 0.00 mm
Status	active

### Download

[Request a quote](#)

[Catalog](#)

## TECHNICAL DETAILS

### Mechanics

Shell Style/Model	GCA*: Earthing washer
Keying	No keying
Housing Material	Brass (CuSnZn plated) washer
Weight	.31 g

### Performance

- Configuration
- Insulator
- Rated Current

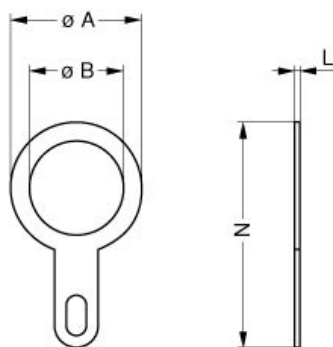
### Others

- Temp (min / max): -55° C / +250° C
- Humidity (max): <=95% [at 60 deg C / 140 F]
- Vibration: 15 g [10 Hz - 2000 Hz]
- Shock Resistance: 100 g [ 6 ms]
- Climatical Category: 50/175/21

LEMO products and services are provided "as is". LEMO makes no warranties or representations with regard to LEMO product & services or use of them, express, implied or statutory, including for accuracy, completeness, or security. The user is fully responsible for his products and applications using LEMO components.

Shielding (min): 75 dB (10 MHz)  
Shielding (min): 40 dB (1 GHz)  
12NC part number: 4022.438.33393

## DRAWINGS



**No keying**

### Dimensions

	A	B	L	N
mm.	13	9.1	0.4	22
in.	0,51	0,36	0,02	0,87

## RECOMMENDED BY LEMO

### Tools

*LEMO products and services are provided "as is". LEMO makes no warranties or representations with regard to LEMO product & services or use of them, express, implied or statutory, including for accuracy, completeness, or security. The user is fully responsible for his products and applications using LEMO components.*

# Mouser Electronics

Authorized Distributor

Click to View Pricing, Inventory, Delivery & Lifecycle Information:

[LEMO:](#)

[GCA.0S.255.LT](#)