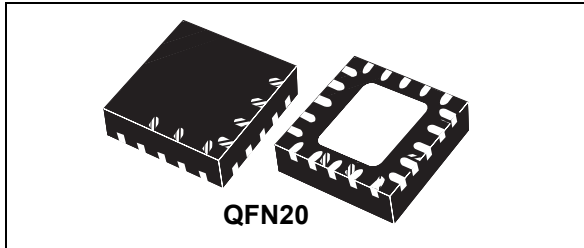


Low data rate, low power sub-1GHz transceiver

Datasheet - production data



Features

- Frequency bands: 150-174 MHz, 300-348 MHz, 387-470 MHz, 779-956 MHz
- Modulation schemes: 2-FSK, GFSK, MSK, GMSK, OOK, and ASK
- Air data rate from 1 to 500 kbps
- Very low power consumption (9 mA RX and 21 mA TX at +11 dBm)
- Programmable RX digital filter from 1 kHz to 800 kHz
- Programmable channel spacing (12.5 kHz min.)
- Excellent performance of receiver sensitivity (-118 dBm), selectivity, and blocking
- Programmable output power up to +16 dBm
- Fast startup and frequency synthesizer settling time (6 μ s)
- Frequency offset compensation
- Integrated temperature sensor
- Battery indicator and low battery detector
- RX and TX FIFO buffer (96 bytes each)
- Configurability via SPI interface
- Automatic acknowledgment, retransmission, and timeout protocol engine
- AES 128-bit encryption co-processor
- Antenna diversity algorithm
- Fully integrated ultra low power RC oscillator

- Wake-up on internal timer and wake-up on external event
- Flexible packet length with dynamic payload length
- Sync word detection
- Address check
- Automatic CRC handling
- FEC with interleaving
- Digital RSSI output
- Programmable carrier sense (CS) indicator
- Automatic clear channel assessment (CCA) before transmitting (for listen-before-talk systems). Embedded CSMA/CA protocol
- Programmable preamble quality indicator (PQI)
- Whitening and de-whitening of data
- Wireless M-BUS, EN 300 220, FCC CFR47 15 (15.205, 15.209, 15.231, 15.247, 15.249), and ARIB STD T-67, T93, T-108 compliant
- QFN20 4x4 mm RoHS package
- Operating temperature range from -40 °C to 105 °C

Applications

- AMR (automatic meter reading)
- Home and building automation
- WSN (wireless sensors network)
- Industrial monitoring and control
- Wireless fire and security alarm systems
- Point-to-point wireless link

Table 1. Device summary

Order code	Package	Packing
SPiRiT1QTR	QFN20	Tape and reel

Contents

1	Description	8
2	Introduction	9
3	Typical application diagram and pin description	11
	3.1 Typical application diagram	11
4	Pinout	15
5	Absolute maximum ratings and thermal data	16
6	Characteristics	17
	6.1 General characteristics	17
	6.2 Electrical specifications	17
	6.2.1 Electrical characteristics	17
	6.2.2 Digital SPI	18
	6.2.3 RF receiver	19
	6.2.4 RF transmitter	24
	6.2.5 Crystal oscillator	29
	6.2.6 Sensors	30
7	Operating modes	32
	7.1 Reset sequence	35
	7.2 Timer usage	36
	7.3 Low duty cycle reload mode	36
	7.3.1 LDC mode with automatically acknowledgement.	38
	7.4 CSMA/CA engine	38
8	Block description	42
	8.1 Power management	42
	8.1.1 Switching frequency	42
	8.2 Power-on-reset (POR)	42
	8.3 Low battery indicator	42
	8.4 Voltage reference	43

8.5	Oscillator and RF synthesizer	43
8.6	RCO: features and calibration	47
8.6.1	RC oscillator calibration	47
8.7	AGC	47
8.8	AFC	48
8.9	Symbol timing recovery	49
8.9.1	DLL mode	49
8.9.2	PLL mode	49
8.10	Receiver	49
8.11	Transmitter	49
8.12	Temperature sensors (TS)	50
8.13	AES encryption co-processor	51
9	Transmission and reception	51
9.1	PA configuration	51
9.2	RF channel frequency settings	54
9.3	RX timeout management	55
9.4	Intermediate frequency setting	56
9.5	Modulation scheme	57
9.5.1	Data rate	59
9.5.2	RX channel bandwidth	60
9.6	Data coding and integrity check process	61
9.6.1	FEC	61
9.6.2	CRC	61
9.6.3	Data whitening	62
9.6.4	Data padding	62
9.7	Packet handler engine	62
9.7.1	S-Tack packet	63
9.7.2	Wireless M-Bus packet (W M-BUS, EN13757-4)	64
9.7.3	Basic packet	65
9.7.4	Automatic packet filtering	66
9.7.5	Link layer protocol	67
9.8	Data modes	68
9.9	Data FIFO	69
9.10	Receiver quality indicators	71

9.10.1	RSSI	71
9.10.2	Carrier sense	72
9.10.3	PQI	72
9.10.4	SQI	73
9.11	Antenna diversity	73
9.12	Frequency hopping	74
10	MCU interface	75
10.1	Serial peripheral interface	75
10.2	Interrupts	77
10.3	GPIOs	78
10.4	MCU clock	80
11	Register table	82
12	Package mechanical data	101
13	Revision history	103

List of tables

Table 1.	Device summary	1
Table 2.	Description of the external components of the typical application diagram	13
Table 3.	BOM for different bands	14
Table 4.	Pinout description	15
Table 5.	Absolute maximum ratings	16
Table 6.	Thermal data	16
Table 7.	Recommended operating conditions	16
Table 8.	General characteristics	17
Table 9.	Power consumption static modes	17
Table 10.	Power consumption	18
Table 11.	Digital SPI input and output (SDO, SDI, SCLK, CSn, and SDN) and GPIO specification (GPIO_1-4).	18
Table 12.	RF receiver characteristics	19
Table 13.	RF receiver characteristics - sensitivity.	22
Table 14.	RF transmitter characteristics	24
Table 15.	Crystal oscillator characteristics	29
Table 16.	Ultra low power RC oscillator	29
Table 17.	N-Fractional $\Sigma\Delta$ frequency synthesizer characteristics.	30
Table 18.	Analog temperature sensor characteristics	30
Table 19.	Battery indicator and low battery detector	30
Table 20.	States	33
Table 21.	Commands list	34
Table 22.	POR parameters	36
Table 23.	SPIRIT1 timers description and duration	36
Table 24.	SMPS configuration settings.	42
Table 25.	Programmability of trans-conductance at startup	43
Table 26.	CP word look-up	44
Table 27.	RC calibrated speed	47
Table 28.	PA_level	52
Table 29.	Frequency threshold	55
Table 30.	RX timeout stop condition configuration	56
Table 31.	IF_OFFSET settings	57
Table 32.	CHFLT_M and CHFLT_E value for channel filter bandwidth (in kHz, for fclk = 24 MHz)	60
Table 33.	CHFLT_M and CHFLT_E value for channel filter bandwidth (in kHz, for fclk = 26 MHz)	60
Table 34.	Packet configuration	67
Table 35.	SPI interface timing requirements	77
Table 36.	Interrupts	77
Table 37.	Digital outputs	78
Table 38.	Digital inputs	80
Table 39.	MCU_CK_CONF configuration register	80
Table 40.	MCU clock vs. state	81
Table 41.	General configuration registers	82
Table 42.	Radio configuration registers (analog blocks).	85
Table 43.	Radio configuration registers (digital blocks)	87
Table 44.	Packet/protocol configuration registers.	89
Table 45.	Frequently used registers	97
Table 46.	General information	100
Table 47.	QFN20 (4 x 4 mm.) mechanical data	101

Table 48. Document revision history 103

List of figures

Figure 1.	SPIRIT1 block diagram	9
Figure 2.	Suggested application diagram	11
Figure 3.	Application diagram for Tx boost mode	12
Figure 4.	Application diagram for SMPS OFF mode	13
Figure 5.	Diagram and transition	32
Figure 6.	Power-on reset timing and limits	35
Figure 7.	LDCR for Tx	37
Figure 8.	LDCR for Rx	37
Figure 9.	CSMA flowchart	40
Figure 10.	Shaping of ASK signal	50
Figure 11.	Output power ramping configuration	53
Figure 12.	LFSR block diagram	62
Figure 13.	Threshold of the linear FIFO	70
Figure 14.	SPI “write” operation	76
Figure 15.	SPI “read” operation	76
Figure 16.	SPI “command” operation	76
Figure 17.	QFN20 (4 x 4 mm.) drawing dimension	102

1 Description

The SPIRIT1 is a very low-power RF transceiver, intended for RF wireless applications in the sub-1 GHz band. It is designed to operate both in the license-free ISM and SRD frequency bands at 169, 315, 433, 868, and 915 MHz, but can also be programmed to operate at other additional frequencies in the 300-348 MHz, 387-470 MHz, and 779-956 MHz bands. The air data rate is programmable from 1 to 500 kbps, and the SPIRIT1 can be used in systems with channel spacing of 12.5/25 kHz, complying with the EN 300 220 standard. It uses a very small number of discrete external components and integrates a configurable baseband modem, which supports data management, modulation, and demodulation. The data management handles the data in the proprietary fully programmable packet format also allows the M-Bus standard compliance format (all performance classes).

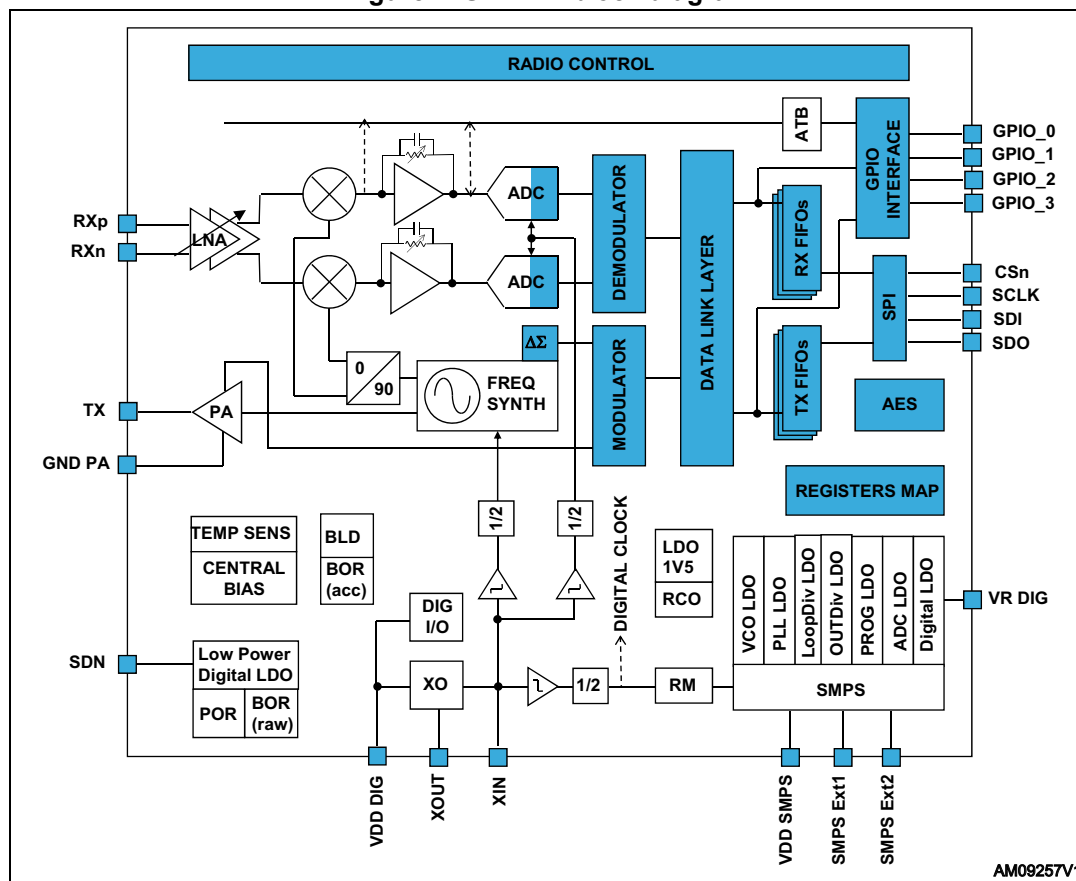
However, the SPIRIT1 can perform cyclic redundancy checks on the data as well as FEC encoding/decoding on the packets. The SPIRIT1 provides an optional automatic acknowledgement, retransmission, and timeout protocol engine in order to reduce overall system costs by handling all the high-speed link layer operations.

Moreover, the SPIRIT1 supports an embedded CSMA/CA engine. An AES 128-bit encryption co-processor is available for secure data transfer. The SPIRIT1 fully supports antenna diversity with an integrated antenna switching control algorithm. The SPIRIT1 supports different modulation schemes: 2-FSK, GFSK, OOK, ASK, and MSK. Transmitted/received data bytes are buffered in two different three-level FIFOs (TX FIFO and RX FIFO), accessible via the SPI interface for host processing.

2 Introduction

A simplified block diagram of the SPIRIT1 is shown in [Figure 1](#).

Figure 1. SPIRIT1 block diagram



The receiver architecture is low-IF conversion. The received RF signal is amplified by a two-stage low-noise amplifier (LNA) and down-converted in quadrature (I and Q) to the intermediate frequency (IF). LNA and IF amplifiers make up the RX front-end (RXFE) and have programmable gain. At IF, I/Q signals are digitized by ADCs. The demodulated data is then provided to an external MCU either through the 96-byte RX FIFO, readable via SPI, or directly using a programmable GPIO pin. A 128-bit AES co-processor is available to perform (offline) data encryption/decryption to secure data transfer.

The transmitter part of the SPIRIT1 is based on direct synthesis of the RF frequency. The power amplifier (PA) input is the LO generated by the RF synthesizer, while the output level can be configured between -30 dBm and +11 dBm in 0.5 dB steps. The data to be transmitted can be provided by an external MCU either through the 96-byte TX FIFO writable via SPI, or directly using a programmable GPIO pin. The SPIRIT1 supports frequency hopping, TX/RX and antenna diversity switch control, extending the link range and improving performance.

The SPIRIT1 has a very efficient power management (PM) system.

An integrated switched mode power supply (SMPS) regulator allows operation from a battery voltage ranging from +1.8 V to +3.6 V, and with power conversion efficiency of at least 80%.

A crystal must be connected between XIN and XOUT. It is digitally configurable to operate with different crystals. As an alternative, an external clock signal can be used to feed XIN for proper operation. The SPIRIT1 also has an integrated low-power RC oscillator, generating the 34.7 kHz signal used as a clock for the slowest timeouts (i.e. sleeping and backoff).

A standard 4-pin SPI bus is used to communicate with the external MCU. Four configurable general purpose I/Os are available.

3 Typical application diagram and pin description

3.1 Typical application diagram

This section describes different application diagram of SPIRIT1 that can be used according to customer needs. In particular [Figure 2](#) shows the default configuration, [Figure 3](#) shows the TX boost mode configuration and [Figure 4](#) shows the SMPS off configuration. The default configuration is giving the best power consumption figures. The TX boost mode configuration is used to increase TX output power and the SMPS off configuration is used to enhance sensitivity at the expense of power consumption. When using SMPS off configuration, SMPS should disabled by setting to 1 bit DISABLE_SMPS in PM_CONFIG register. It is important the SDN pin to be driven by an external microcontroller. It should be set low when the supply voltage of the device is steady to VDD. A short circuit connection of the SDN pin to ground should be avoided.

Figure 2. Suggested application diagram

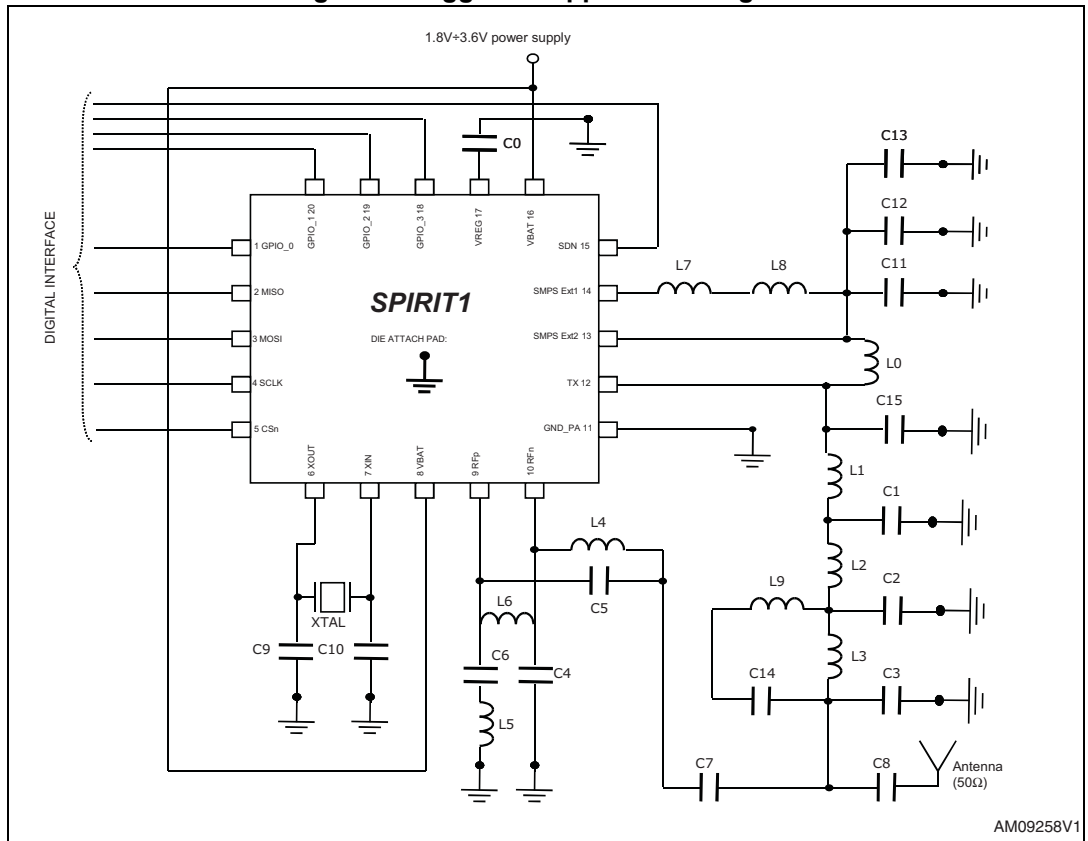


Figure 3. Application diagram for Tx boost mode

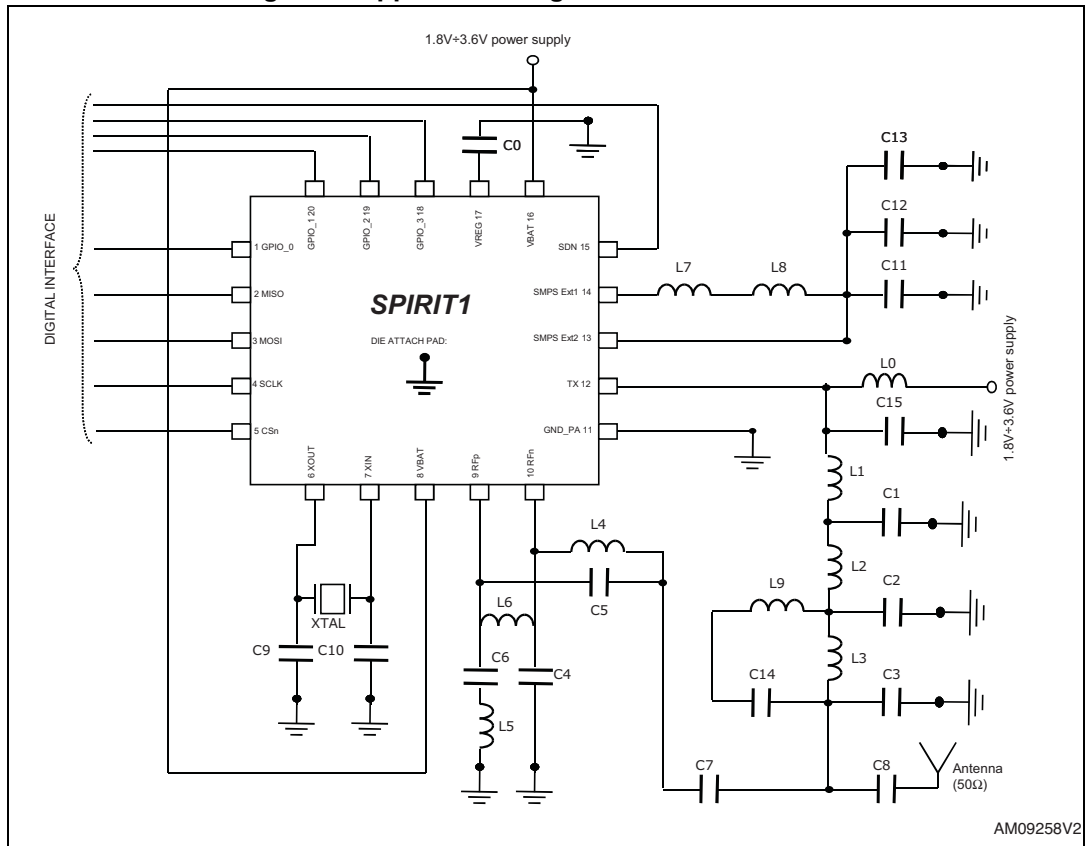


Figure 4. Application diagram for SMPS OFF mode

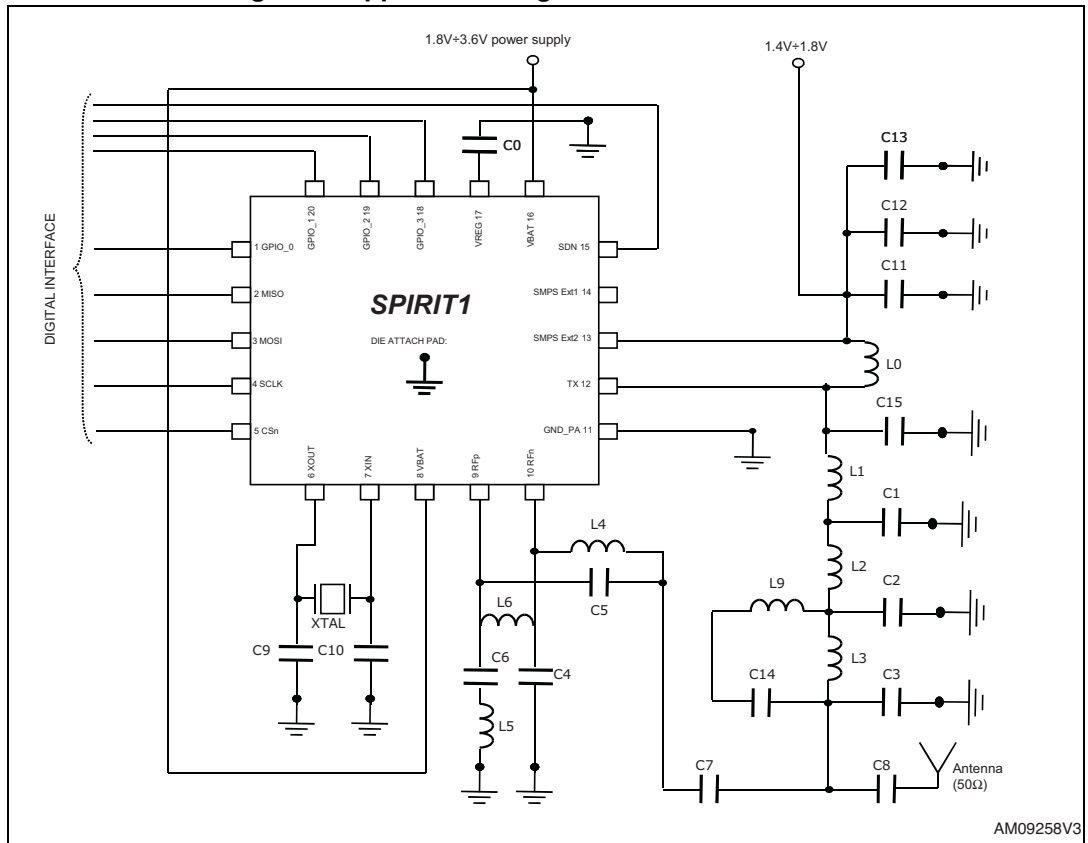


Table 2. Description of the external components of the typical application diagram

Components	Description
C0	Decoupling capacitor for on-chip voltage regulator to digital part
C1, C2, C3, C14, C15	RF LC filter/matching capacitors
C4, C5	RF balun/matching capacitors
C6, C7, C8	RF balun/matching DC blocking capacitors
C9, C10	Crystal loading capacitors
C11, C12, C13	SMPS LC filter capacitor
L0	RF choke inductor
L1, L2, L3, L9	RF LC filter/matching inductors
L4, L5, L6	RF balun/matching inductors
L7, L8	SMPS LC filter inductor
XTAL	24, 26, 48, 52 MHz

Table 2 assumes to cover all the frequency bands using a set of different as shown in Table 3: BOM for different bands.

Table 3. BOM for different bands

Ref design (1)	170 MHz band		315 MHz band		433 MHz band		868 MHz band		915/922 MHz band	
	STEVAL-IKRV001V1		STEVAL-IKRV001V2		STEVAL-IKRV001V3		STEVAL-IKRV001V4		STEVAL-IKRV001V5	
Comp.	Supplier	Value	Supplier	Value	Supplier	Value	Supplier	Value	Supplier	Value
C0	Murata	100nF	Murata	100nF	Murata	100nF	Murata	100nF	Murata	100nF
C1	Murata	18pF	Murata	12pF	Murata	8.2pF		NE	Murata	7pF
C2	Murata	27pF	Murata	27pF	Murata	18pF	Murata	8.2pF	Murata	2.4pF
C3	Murata	4.3pF	Murata	15pF	Murata	10pF	Murata	5.6pF	Murata	3.6pF
C4		NE	Murata	3.9pF	Murata	2.2pF	Murata	2.2pF	Murata	2pF
C5	Murata	8pF	Murata	4.7pF	Murata	3.3pF	Murata	1.8pF	Murata	1.5pF
C6	Murata	220pF	Murata	220pF	Murata	220pF	Murata	220pF	Murata	330pF
C7	Murata	68nH (inductor)	Murata	220pF	Murata	220pF	Murata	220pF	Murata	220pF
C8	Murata	390pF	Murata	220pF	Murata	220pF	Murata	220pF	Murata	220pF
C9	Murata	12pF	Murata	12pF	Murata	12pF	Murata	12pF	Murata	12pF
C10	Murata	10pF	Murata	10pF	Murata	10pF	Murata	10pF	Murata	10pF
C11	Murata	1µF	Murata	1µF	Murata	1µF	Murata	470nF	Murata	1µF
C12	Murata	100nF	Murata	100nF	Murata	100nF	Murata	100nF	Murata	100nF
C13	Murata	560pF	Murata	330pF	Murata	330pF	Murata	330pF	Murata	330pF
C14	Murata	220pF	Murata	1.8pF	Murata	1.8pF	Murata	1.2pF		NE
C15	Murata	6.2pF	Murata	1.2pF		NE		NE		NE
L0	Murata	200nH	Murata	220nH	Murata	150nH	Murata	100nH	Murata	100nH
L1	Coilcraft	39nH	Murata	12nH	Murata	8.2nH	Murata	3nH	Murata	3.6nH
L2	Coilcraft	56nH	Murata	12nH	Murata	10nH		0R0 (resistor)	Murata	5.1nH
L3	Murata	3.6pF (cap.)	Murata	15nH	Murata	10nH	Murata	4.3nH	Tyco Electronics	0R0
L4	Murata	100nH	Murata	47nH	Murata	39nH	Murata	18nH	Murata	15nH
L5	Murata	47nH	Murata	39nH	Murata	27nH	Murata	18nH	Murata	18nH
L6		NE		NE		NE	Murata	22nH	Murata	15nH
L7	Murata	10µH	Murata	10µH	Murata	10µH	Murata	10µH	Murata	10µH
L8		0R0 (resistor)	Murata	270nH	Murata	100nH	Coilcraft	27nH	Coilcraft	27nH
L9	Coilcraft	51nH	Murata	15nH	Murata	6.2nH	Murata	2.7nH		NE
XTAL	NDK	25 MHz	NDK	50 MHz	NDK	50 or 52 MHz	NDK	50 or 52 MHz	NDK	50 or 52 MHz

1. For complete BOM including part numbers, please check the corresponding reference design.

4 Pinout

Table 4. Pinout description

Pin	Name	I/O	Description
1	GPIO_0	I/O	See description of GPIOs below
2	MISO	O	SPI data output pin
3	MOSI	I	SPI data input pin
4	SCLK	I	SPI clock input pin
5	CSn	I	SPI chip select
6	XOUT	O	Crystal oscillator output. Connect to an external 26 MHz crystal or leave floating if driving the XIN pin with an external signal source
7	XIN	I	Crystal oscillator input. Connect to an external 26 MHz crystal or to an external source. If using an external clock source with no crystal, DC coupling with a nominal 0.2 VDC level is recommended with minimum AC amplitude of 400 mVpp. The instantaneous level at input cannot exceed the 0 - 1.4 V range.
8	VBAT	VDD	+1.8 V to +3.6 V input supply voltage
9	RXp	I	Differential RF input signal for the LNA. See application diagram for a typical matching network
10	RXn	I	
11	GND_PA	GND	Ground for PA. To be carefully decoupled from other grounds.
12	TX	O	RF output signal
13	SMPS Ext2	I	Regulated DC-DC voltage input
14	SMPS Ext1	O	DC-DC output pin
15	SDN	I	Shutdown input pin. 0-VDD V digital input. SDN should be = '0' in all modes except shutdown mode. When SDN = '1' the SPIRIT1 is completely shut down and the contents of the registers are lost. The GPIO and SPI ports during SHUTDOWN are in HiZ.
16	VBAT	VDD	+1.8 V to +3.6 V input supply voltage
17	VREG ⁽¹⁾	VDD	Regulated output voltage. A 100 nF decoupling capacitor is required
18	GPIO3	I/O	General purpose I/O that may be configured through the SPI registers to perform various functions, including: – MCU clock output – FIFO status flags – Wake-up input – Battery level detector – TX-RX external switch control – Antenna diversity control – Temperature sensor output
19	GPIO2	I/O	
20	GPIO1	I/O	
21	GND	GND	Exposed pad ground pin

1. This pin is intended for use with the SPIRIT1 only. It cannot be used to provide supply voltage to other devices.

5 Absolute maximum ratings and thermal data

Absolute maximum ratings are those values above which damage to the device may occur. Functional operation under these conditions is not implied. All voltages are referred to GND.

Table 5. Absolute maximum ratings

Pin	Parameter	Value	Unit
8,14,16	Supply voltage and SMPS output	-0.3 to +3.9	V
17	DC voltage on VREG	-0.3 to +1.4	V
1,3,4,5,15,18,19,20	DC voltage on digital input pins	-0.3 to +3.9	V
2	DC voltage on digital output pins	-0.3 to +3.9	V
11	DC voltage on analog pins	-0.3 to +3.9	V
6,7,9,10	DC voltage on RX/XTAL pins	-0.3 to +1.4	V
13	DC voltage on SMPS Ext2 pin	-0.3 to +1.8	V
12	DC voltage on TX pin	-0.3 to +3.9	V
T _{STG}	Storage temperature range	-40 to +125	°C
V _{ESD-HBM}	Electrostatic discharge voltage	±1.0	KV

Table 6. Thermal data

Symbol	Parameter	QFN20	Unit
R _{thj-amb}	Thermal resistance junction-ambient	45	°C/W

Table 7. Recommended operating conditions

Symbol	Parameter	Min.	Typ.	Max.	Unit
V _{BAT}	Operating battery supply voltage	1.8	3	3.6	V
T _A	Operating ambient temperature range	-40		105	°C

6 Characteristics

6.1 General characteristics

Table 8. General characteristics

Symbol	Parameter	Min.	Typ.	Max.	Unit
FREQ	Frequency range	150	-	174	MHz
		300		348	MHz
		387		470	MHz
		779		956	MHz
DR	Air data rate for each modulation scheme. Note that if "Manchester", "3-out-of-6" and/or FEC encoding/decoding options are selected, the effective bit rate will be lower.				
	2-FSK	1	-	500	kBaud
	GMSK (BT=1, BT=0.5)	1		500	kBaud
	GFSK (BT=1, BT=0.5)	1		500	kBaud
	MSK	1		500	kBaud
	OOK/ASK	1		250	kBaud

6.2 Electrical specifications

6.2.1 Electrical characteristics

Characteristics measured over recommended operating conditions unless otherwise specified. Typical values are referred to $T_A = 25\text{ }^\circ\text{C}$, $V_{BAT} = 3.0\text{ V}$. All performance is referred to a 50 Ohm antenna connector, via the reference design using application diagram as in [Figure 2](#), except otherwise noted.

Table 9. Power consumption static modes

Symbol	Parameter	Test conditions	Min.	Typ.	Max.	Unit
IBAT	Supply current	Shutdown ⁽¹⁾	-	2.5	-	nA
		Standby ⁽¹⁾		600		
		Sleep ⁽¹⁾		850		
		Ready (default mode) ⁽¹⁾		400		μA
		Lock ⁽¹⁾		4.4		mA

1. See [Table 20](#).

Table 10. Power consumption

Symbol	Parameter	Test conditions	SMPS ON	SMPS OFF	Unit
IBAT	Supply current	RX ⁽¹⁾ 169 MHz	9.2	16.9	mA
		RX ⁽¹⁾ 315 MHz	9.2	16.9	
		RX ⁽¹⁾ 433 MHz	9.2	16.9	
		RX ⁽¹⁾ 868 MHz	9.7	17.6	
		RX ⁽¹⁾ 915 MHz	9.8	17.6	
		RX ⁽¹⁾ 922 MHz	9.8	17.9	
		TX ⁽¹⁾⁽²⁾ +16 dBm 169 MHz	54		
		TX ⁽¹⁾⁽²⁾ +16 dBm 315 MHz	52		
		TX ⁽¹⁾⁽²⁾ +16 dBm 433 MHz	49.3		
		TX ⁽¹⁾⁽²⁾ +15.5 dBm 868 MHz	44		
		TX ⁽¹⁾⁽²⁾ +16 dBm 920 MHz	45.2		
		TX ⁽¹⁾ +11 dBm 169 MHz	18	33	
		TX ⁽¹⁾ +11 dBm 315 MHz	22	37	
		TX ⁽¹⁾ +11 dBm 433 MHz	19.5	33	
		TX ⁽¹⁾ +11 dBm 868 MHz	21	41	
		TX ⁽¹⁾ +11 dBm 920 MHz	20	39	
		TX ⁽¹⁾ -8 dBm 169 MHz	6		
		TX ⁽¹⁾ -8 dBm 315 MHz	6.5		
		TX ⁽¹⁾ -7 dBm 433 MHz	7		
		TX ⁽¹⁾ -7 dBm 868 MHz	7		

1. See table [Table 20](#).
2. TX boost mode configuration $V_{BAT} = 3.6\text{ V}$.

6.2.2 Digital SPI

Table 11. Digital SPI input and output (SDO, SDI, SCLK, CSn, and SDN) and GPIO specification (GPIO_1-4)

Symbol	Parameter	Test condition	Min.	Typ.	Max.	Unit
f_{clk}	Clock frequency				10	MHz
C_{IN}	Port I/O capacitance			1.4		pF
T_{RISE}	Rise time	0.1*VDD to 0.9*VDD, CL=20 pF (low output current programming)		6.0		ns
		0.1*VDD to 0.9*VDD, CL=20 pF (high output current programming)		2.5		

Table 11. Digital SPI input and output (SDO, SDI, SCLK, CSn, and SDN) and GPIO specification (GPIO_1-4) (continued)

Symbol	Parameter	Test condition	Min.	Typ.	Max.	Unit
T _{FALL}	Fall time	0.1*VDD to 0.9*VDD, CL=20 pF (low output current programming)		7.0		ns
		0.1*VDD to 0.9*VDD, CL=20 pF (high output current programming)		2.5		
V _{IH}	Logic high level input voltage		VDD/2 +0.3			V
V _{IL}	Logic low level input voltage				VDD/8 +0.3	V
V _{OH}	High level output voltage	IOH = -2.4 mA (-4.2 mA if high output current capability is programmed).	(5/8)* VDD+ 0.1			V
V _{OL}	Low level output voltage	IOL = +2.4 mA (+4 mA if high output current capability is programmed).			0.5	V

6.2.3 RF receiver

Characteristics measured over recommended operating conditions unless otherwise specified. All typical values are referred to T_A = 25 °C, V_{BAT} = 3.0 V, no frequency offset in the RX signal. All performance is referred to a 50 Ohm antenna connector, via the reference design.

Table 12. RF receiver characteristics

Symbol	Parameter	Test condition	Min.	Typ.	Max.	Unit
RL	Return loss	169.4-169.475 MHz, 433-435 MHz, 868-868.6 MHz, 310-320 MHz, 902-928 MHz ⁽¹⁾			-10	dB
CH _{BW}	Receiver channel bandwidth		1		800	kHz
P _{SAT}	Saturation 1% PER (packet length = 20 bytes) FEC DISABLED	868 MHz 2-GFSK (BT=1) 38.4 kbps (20 kHz dev. CH Filter=100 kHz)		10		dBm
IIP ₃	Input third order intercept	Input power -50 dBm 915 MHz	-37	-31	-26	dBm

Table 12. RF receiver characteristics (continued)

Symbol	Parameter	Test condition	Min.	Typ.	Max.	Unit
C/I _{1-CH} ^{(2) (3)}	Adjacent channel rejection, 1% PER (packet length = 20 bytes) FEC DISABLED 868 MHz	Desired channel 3 dB above sensitivity level. 12.5 kHz Δf, 2-FSK 1.2 kbps, (1 kHz dev. CH Filter=6 kHz)		49		dB
		Desired channel 3 dB above sensitivity level. 100 kHz Δf, 2-FSK 1.2 kbps, (4.8 kHz dev. CH Filter=58 kHz)		40		dB
		Desired channel 3 dB above sensitivity level. 200 kHz Δf, 2-GFSK (BT=1) 38.4 kbps, (20 kHz dev. CH Filter=100 kHz)		40		dB
		Desired channel 3 dB above sensitivity level. 750 kHz Δf, 2-GFSK (BT=1) 250 kbps, (127 kHz dev. CH Filter=540 kHz)		38		dB
C/I _{2-CH} ⁽⁴⁾	Alternate channel rejection, 1% PER (packet length = 20 bytes) FEC DISABLED 868 MHz	Desired channel 3 dB above sensitivity level. 25 kHz Δf, 2-FSK 1.2 kbps, (1 kHz dev. CH Filter=6 kHz)		52		dB
		Desired channel 3 dB above sensitivity level. 200 kHz Δf, 2-FSK 1.2 kbps, (4.8 kHz dev. CH Filter=58 kHz)		43		dB
		Desired channel 3 dB above sensitivity level. 400 kHz Δf, 2-GFSK (BT=1) 38.4 kbps, (20 kHz dev. CH Filter=100 kHz)		44		dB
		Desired channel 3 dB above sensitivity level. 1.5 MHz Δf, 2-GFSK (BT=1) 250 kbps, (127 kHz dev. CH Filter=540 kHz)		46		dB
IM _{REJ} ⁽⁴⁾	Image rejection, 1% PER (packet length = 20 bytes) 1% PER (packet length = 20 bytes) FEC DISABLED	868 MHz 2-GFSK (BT=1) 38.4 kbps (20kHz dev. CH Filter=100 kHz), desired channel 3 dB above the sensitivity limit, with IQC correction.		47		dB
RX _{BLK} ⁽⁴⁾	Blocking at offset above the upper band edge and below the lower band edge 1% BER	@ 2 MHz offset, 868 MHz 2-GFSK (BT=1) 38.4kbps, desired channel 3 dB above the sensitivity limit		-42		dBm
		@ 10 MHz offset, 868 MHz 2-GFSK (BT=1) 38.4kbps, desired channel 3 dB above the sensitivity limit		-40		dBm

Table 12. RF receiver characteristics (continued)

Symbol	Parameter	Test condition	Min.	Typ.	Max.	Unit	
RX _{SPUR}	Spurious emissions (maximum values according to ETSI EN 300 220-1)	RF = 170 MHz, f < 1 GHz		-65		dBm	
		RF = 170 MHz, 1 GHz < f < 4 GHz		-69			
		RF = 433 MHz - 435 MHz, f < 1 GHz		-63			
		RF = 433 MHz - 435 MHz, 1 GHz < f < 4 GHz		-83			
		RF = 868 MHz, f < 1 GHz		-70			
		RF = 868 MHz, 1 GHz < f < 6 GHz		-60			
	Spurious emissions (maximum values according to ARIB STD-T93)	RF = 312 MHz - 315 MHz, f < 1 GHz			-69		
		RF = 312 MHz - 315 MHz, f > 1 GHz			-59		
	Spurious emissions (maximum values according to ARIB STD-T67)	RF = 426 MHz - 470 MHz			-61		
	Spurious emissions (maximum values according to ARIB STD-T108)	RF = 920 MHz - 924 MHz, f < 710 MHz			<-70		
		RF = 920 MHz - 924 MHz, 710 MHz < f < 915 MHz					
		RF = 920 MHz - 924 MHz, 915 MHz < f < 930 MHz					
		RF = 920 MHz - 924 MHz, 930 MHz < f < 1 GHz					
		RF = 920 MHz - 924 MHz, f > 1 GHz			-75		
	ZIN, RX	Differential Input Impedance (simulated values)	Max RX gain RF = 170 MHz RF = 315 MHz RF = 433 MHz RF = 868 MHz RF = 915 MHz RF = 922 MHz		200 - j36 180 - j57 170 - j70 118 - j87 113 - j87 113 - j87		

1. Guaranteed in an entire single sub band. Reference design can be different for different application bands.
2. Interferer is CW signal (as specified by ETSI EN 300 220 v1).
3. Selectivity performance is guaranteed if no SPI accesses are performed during reception or SPI clock is below 1 MHz.
4. Blocker is CW signal (as specified by ETSI EN 300 220 v1).

Table 13. RF receiver characteristics - sensitivity

Symbol	Parameter	Test condition	SMPS ON	SMPS OFF	Unit
RX _{SENS}	Sensitivity, 1% BER (according to W-MBUS N mode specification)	169 MHz 2-FSK 1.2kbps (4 kHz dev. CH Filter=10 kHz)	-117	-123	dBm
		169 MHz 2-GFSK (BT=0.5) 2.4kbps (2.4 kHz dev. CH Filter=7 kHz)	-114	-121	dBm
		169 MHz 2-FSK 38.4kbps (20 kHz dev. CH Filter=100 kHz)	-104	-109	dBm
		169 MHz 2-GFSK (BT=0.5) 50 kbps (25 kHz dev. CH Filter=100 kHz)	-104	-108	dBm
	Sensitivity, 1% PER (packet length = 20 bytes) FEC DISABLED	315 MHz 2-FSK 1.2 kbps (4.8 kHz dev. CH Filter=58 kHz)	-109	-110	dBm
		315 MHz MSK 500 kbps (CH Filter=800 kHz)	-88	-88	dBm

Table 13. RF receiver characteristics - sensitivity (continued)

Symbol	Parameter	Test condition	SMPS ON	SMPS OFF	Unit
RX _{SENS}	Sensitivity, 1% PER (packet length = 20 bytes) FEC DISABLED	433 MHz 2-FSK 1.2 kbps (1 kHz dev. CH Filter=6 kHz)	-116	-120	dBm
		433 MHz 2-GFSK (BT=1) 1.2 kbps (4.8 kHz dev. CH Filter=58 kHz)	-106	-110	dBm
		433 MHz 2-GFSK (BT=1) 38.4 kbps (20 kHz dev. CH Filter=100 kHz)	-103	-107	dBm
		433 MHz 2-GFSK (BT=1) 250 kbps (127 kHz dev. CH Filter=540 kHz)	-96	-100	dBm
	Sensitivity, 1% PER (packet length = 20 bytes) FEC DISABLED	868 MHz 2-FSK 1.2 kbps (1 kHz dev. CH Filter=6 kHz)	-118	-118	dBm
		868 MHz 2-GFSK (BT=1) 1.2 kbps (4.8 kHz dev. CH Filter=58 kHz)	-108	-109	dBm
		868 MHz 2-GFSK (BT=1) 38.4 kbps (20 kHz dev. CH Filter=100 kHz)	-105	-106	dBm
		868 MHz GFSK (BT=1) 250 kbps (127 kHz dev. CH Filter=540 kHz)	-98	-99	dBm
		868 MHz MSK 250 kbps (CH Filter=540 kHz)	-93	-94	dBm
	Sensitivity, 1% PER (packet length = 20 bytes) FEC DISABLED	915 MHz 2-FSK 1.2 kbps (4.8 kHz dev. CH Filter=58 kHz)	-108	-109	dBm
		915 MHz 2-FSK 38.4 kbps (20 kHz dev. CH Filter =100 kHz)	-106	-106	dBm
		915 MHz 2-FSK 250 kbps (127 kHz dev. CH Filter=540 kHz)	-98	-99	dBm
		915 MHz MSK 500 kbps (CH Filter=800 kHz)	-94	-95	dBm
	Sensitivity, 1% PER (packet length = 20 bytes) FEC DISABLED	922 MHz 2-FSK 1.2 kbps (4.8 kHz dev. CH Filter=58 kHz)	-108	-109	dBm
		922 MHz 2-FSK 38.4 kbps (20 kHz dev. CH Filter =100 kHz)	-106	-106	dBm
		922 MHz 2-FSK 250 kbps (127 kHz dev. CH Filter=540 kHz)	-98	-99	dBm
		922 MHz MSK 500 kbps (CH Filter=800 kHz)	-94	-95	dBm

Table 13. RF receiver characteristics - sensitivity (continued)

Symbol	Parameter	Test condition	SMPS ON	SMPS OFF	Unit
RX _{SENS}	Sensitivity, 1% PER (packet length = 20 bytes) FEC DISABLED ⁽¹⁾	433 MHz OOK 1.2 kbps (CH Filter=6 kHz)	-116	-117	dBm
		433 MHz OOK 2.4 kbps (CH Filter=12 kHz)	-113	-116	dBm
		433 MHz OOK 38.4 kbps (CH Filter=100 kHz)	-99	-100	dBm
		433 MHz OOK 250 kbps (CH Filter=540 kHz)	-87	-87	dBm
	Sensitivity, 1% PER (packet length = 20 bytes) FEC DISABLED ⁽²⁾	868 MHz OOK 1.2 kbps (CH Filter=6 kHz)	-116	-116	dBm
		868 MHz OOK 2.4 kbps (CH Filter=12 kHz)	-113	-114	dBm
		868 MHz OOK 38.4 kbps (CH Filter=100 kHz)	-100	-100	dBm
		868 MHz OOK 250 kbps (CH Filter=540 kHz)	-90	-90	dBm

1. In OOK modulation, indicated value represents mean power.

6.2.4 RF transmitter

Characteristics measured over recommended operating conditions unless otherwise specified. All typical values are referred to T_A = 25 °C, V_{BAT} = 3.0 V. All performance is referred to a 50 Ohm antenna connector, via the reference design.

Table 14. RF transmitter characteristics

Symbol	Parameter	Test conditions	Min.	Typ.	Max.	Unit
P _{MAX_TX_BO} OST	Maximum output power ⁽¹⁾⁽²⁾	Delivered to a 50 Ohm single-ended load via reference design using TX boost mode configuration	-	16		dBm
P _{MAX}	Maximum output power ⁽²⁾	Delivered to a 50 Ohm single-ended load via reference design	-	11		dBm
P _{MIN}	Minimum output power	Delivered to a 50 Ohm single-ended load via reference design	-	-30		dBm
P _{STEP}	Output power step		-	0.5		dB

Table 14. RF transmitter characteristics (continued)

Symbol	Parameter	Test conditions	Min.	Typ.	Max.	Unit
P _{SPUR,ETSI}	Unwanted emissions according to ETSI EN300 220-1 (harmonic included, using reference design)	RF = 170 MHz, frequencies below 1 GHz	-		-36	dBm
		RF = 170 MHz, Frequencies above 1 GHz	-		< -60	dBm
		RF = 170 MHz, frequencies within 47-74, 87.5-108,174-230,470-862 MHz	-		-55	dBm
		RF = 434 MHz, frequencies below 1 GHz	-		-42	dBm
		RF = 434 MHz, Frequencies above 1 GHz	-		-46	dBm
		RF = 434 MHz, frequencies within 47-74, 87.5-108,174-230,470-862 MHz	-		-61	dBm
		RF = 868 MHz, frequencies below 1 GHz	-		-51	dBm
		RF = 868 MHz, Frequencies above 1 GHz	-		-40	dBm
		RF = 868 MHz, frequencies within 47-74, 87.5-108,174-230,470-862 MHz	-		-54	dBm

Table 14. RF transmitter characteristics (continued)

Symbol	Parameter	Test conditions	Min.	Typ.	Max.	Unit
P _{SPUR,FCC}	Unwanted emissions according to FCC part 15(harmonic included, using reference design)	RF = 310-320 MHz, harmonics (measured with max output power)	-		-37	dBm
		RF = 310-320 MHz, 1.705 MHz <f< 30 MHz	-		<-60	dBm
		RF = 310-320 MHz, 30 MHz <f< 88 MHz	-		<-60	dBm
		RF = 310-320 MHz, 88 MHz <f< 216 MHz	-		<-60	dBm
		RF = 310-320 MHz, 216 MHz <f< 960 MHz	-		<-60	dBm
		RF = 310-320 MHz, 960 MHz <f	-		<-60	dBm
		RF = 902-928 MHz, 1.705 MHz <f< 30 MHz (@ max output power)	-		<-70	dBm
		RF = 902-928 MHz, 30 MHz <f< 88 MHz (@ max output power)	-		<-70	dBm
		RF = 902-928 MHz, 88 MHz <f< 216 MHz (@ max output power)	-		<-70	dBm
		RF = 902-928 MHz, 216 MHz <f< 960 MHz (@ max output power)	-		-52	dBm
		RF = 902-928 MHz, 960 MHz <f (@ max output power)	-		-41	dBm
		2 nd and 7 th harmonics	-		-25	dBc

Table 14. RF transmitter characteristics (continued)

Symbol	Parameter	Test conditions	Min.	Typ.	Max.	Unit
P _{SPUR,ARIB}	Unwanted emissions according to ARIB	RF = 312-315 MHz, frequency below 1 GHz (@ max output power, according to ARIB STD-T93)	-		-41	dBm
		RF = 312-315 MHz, frequency above 1 GHz (@ max output power, according to ARIB STD-T93)	-		-48	dBm
		RF = 426-470 MHz (@ max output power, according to ARIB STD-T67)	-		<-40	dBm
		RF = 915-917 MHz and RF = 920-930 MHz, f < 710 MHz (@ max output power, according to ARIB STD-T108)	-		<-55	dBm
		RF = 915-917 MHz and RF = 920-930 MHz, 710 MHz < f < 915 MHz (@ max output power, according to ARIB STD-T108)	-		-55	dBm
		RF = 915-917 MHz and RF = 924-930 MHz, 915 MHz < f < 930 MHz (@ max output power, according to ARIB STD-T108)	-		-36	dBm
		RF = 920-924 MHz, 915 MHz < f < 920.3 MHz (@ max output power, according to ARIB STD-T108)	-		<-36	dBm
		RF = 920-924 MHz, 920.3 MHz < f < 924.3 MHz (@ max output power, according to ARIB STD-T108)	-		-55	dBm
		RF = 920-924 MHz, 924.3 MHz < f < 930 MHz (@ max output power, according to ARIB STD-T108)	-		-36	dBm
		RF = 915-917 MHz and RF = 920-930 MHz, 930 MHz < f < 1000 MHz (@ max output power, according to ARIB STD-T108)	-		-55	dBm
		RF = 915-917 MHz and RF = 920-930 MHz, 1000 MHz < f < 1215 MHz (@ max output power, according to ARIB STD-T108)	-		<-60	dBm
		RF = 915-917 MHz and RF = 920-930 MHz, 1215 MHz < f (@ max output power, according to ARIB STD-T108)	-		-38	dBm

Table 14. RF transmitter characteristics (continued)

Symbol	Parameter	Test conditions	Min.	Typ.	Max.	Unit		
P _{HARM}	Harmonics level	RF = 170 MHz, 2 nd harmonic (max power level)	-		-36	dBm		
		RF = 170 MHz, 3 rd harmonic (max power level)	-		-55			
		RF = 315 MHz, 2 nd harmonic (max power level)	-		-52	dBc		
		RF = 315 MHz, 3 rd harmonic (max power level)	-		-52			
		RF = 433 MHz, 2 nd harmonic (max power level)	-		-43	dBm		
		RF = 433 MHz, 3 rd harmonic (max power level)	-		-46			
		RF = 868 MHz, 2 nd harmonic (max power level)	-		-40			
				RF = 868 MHz, 3 rd harmonic (max power level)	-		-42	
				RF = 915 MHz, 2 nd harmonic (max power level)	-		-28	dBc
				RF = 915 MHz, 3 rd harmonic (max power level)	-		-42	dBm
				RF = 922 MHz, 2 nd harmonic (max power level)	-		-39	
				RF = 922 MHz, 3 rd harmonic (max power level)	-		-60	
P _{A_LOAD}	Optimum load impedance (simulated values)	170 MHz, using reference design	-	46 + j36		Ohm		
		315 MHz, using reference design	-	25 + j27		Ohm		
		433 MHz, using reference design	-	29 + j19		Ohm		
		868 MHz, using reference design	-	34 - j7		Ohm		
		915 MHz, using reference design	-	15 + j28		Ohm		
		922 MHz, using reference design	-	42 - j15		Ohm		

1. In ASK/OOK modulation, indicated value represents peak power.
2. V_{BAT}=3.6 V. Please refer to the AN4198 for more information.

6.2.5 Crystal oscillator

Characteristics measured over recommended operating conditions unless otherwise specified. All typical values are referred to $T_A = 25\text{ }^\circ\text{C}$, $V_{BAT} = 3.0\text{ V}$. Frequency synthesizer characteristics are referred to 915 MHz band. In order to avoid potential RF performance degradations, the crystal frequency should be chosen to satisfy the following equation:

Equation 1

$$nF_{ch} - \text{ROUND}\left(n\frac{F_{ch}}{F_{ref}}\right)F_{ref} > 1\text{ MHz}$$

where n is an integer in the set $[1-7, B]$ (B is band divider). F_{ch} is the channel frequency and F_{ref} is the XTAL frequency

Table 15. Crystal oscillator characteristics

Symbol	Parameter	Test conditions	Min.	Typ.	Max.	Unit
XTAL _F	Crystal frequency	Range 1 Range 2	24 48		26 52	MHz
F _{TOL}	Frequency tolerance ⁽¹⁾			± 40		ppm
PN _{XTAL}	Minimum requirement on external reference phase noise mask (F _{xo} =26 MHz), to avoid degradation on synthesizer phase/noise	100 Hz			-90	dBc/Hz
		1 kHz			-120	dBc/Hz
		10 kHz			-135	dBc/Hz
		100 kHz			-140	dBc/Hz
		1 MHz			-140	dBc/Hz
T _{START}	Startup time ⁽²⁾	V _{BAT} =1.8 V, F _{xo} = 52 MHz	60	120	220	µs

1. Including initial tolerance, crystal loading, aging, and temperature dependence. The acceptable crystal tolerance depends on RF frequency and channel spacing/bandwidth.
2. Startup times are crystal dependent. The crystal oscillator transconductance can be tuned to compensate the variation of crystal oscillator series resistance.

Table 16. Ultra low power RC oscillator

Symbol	Parameter	Test conditions	Min.	Typ.	Max.	Unit
RC _F	Calibrated frequency	Calibrated RC oscillator frequency is derived from crystal oscillator frequency. Digital clock domain 26 MHz	-	34.7		kHz
RC _{TOL}	Frequency accuracy after calibration				±1	%

Table 17. N-Fractional $\Sigma\Delta$ frequency synthesizer characteristics

Symbol	Parameter	Test conditions	Min.	Typ.	Max.	Unit
F _{RES}	Frequency resolution	F _{xo} = 26 MHz high band	-	33		Hz
PN _{SYNTH}	RF carrier phase noise (915 MHz band)	10 kHz	-100	-97	-94	dBc/Hz
		100 kHz	-104	-101	-99	dBc/Hz
		200 kHz	-105	-102	-100	dBc/Hz
		500 kHz	-112	-110	-107	dBc/Hz
		1 MHz	-120	-118	-116	dBc/Hz
		2 MHz	-123	-121	-119	dBc/Hz
TO _{TIME}	PLL turn-on/hop time			60	80	μs
SET _{TIME}	PLL RX/TX settling time	Settling time from RX to TX and from TX to RX		8.5		μs
CAL _{TIME}	PLL calibration time			54		μs

6.2.6 Sensors

Characteristics measured over recommended operating conditions unless otherwise specified. All typical values are referred to T_A = 25 °C, V_{BAT} = 3.0 V.

Table 18. Analog temperature sensor characteristics

Symbol	Parameter	Test conditions	Min.	Typ.	Max.	Unit
T _{ERR}	Error in temperature	Across all the temperature range	-	±2.5	-	°C
T _{SLOPE}	Temperature coefficient			2.5		mV/°C
V _{TS-OUT}	Output voltage level			0.92		V
T _{ICC}	Current consumption	Buffered output (low output impedance, about 400 Ohm)		600		μA
		Not buffered output (high output impedance, about 100 kΩ)	10	μA		

Table 19. Battery indicator and low battery detector⁽¹⁾

Symbol	Parameter	Test conditions	Min.	Typ.	Max.	Unit
V _{BLT}	Battery level thresholds		2.1		2.7	V

Table 19. Battery indicator and low battery detector⁽¹⁾

Symbol	Parameter	Test conditions	Min.	Typ.	Max.	Unit
V _{BOT}	Brownout threshold	Measured in slow battery variation (static) conditions (inaccurate)		1.535		V
		Measured in slow battery variation (static) conditions (accurate)		1.684		V
BOT _{hyst}	Brownout threshold hysteresis			70		mV

1. For battery powered equipment, the TX does not transmit at a wrong frequency under low battery voltage conditions. It either remains on channel or stops transmitting. The latter can of course be realized by using a lock detect and/or by switching off the PA under control of the battery monitor. For testing reasons this control is enabled/disabled by SPI.

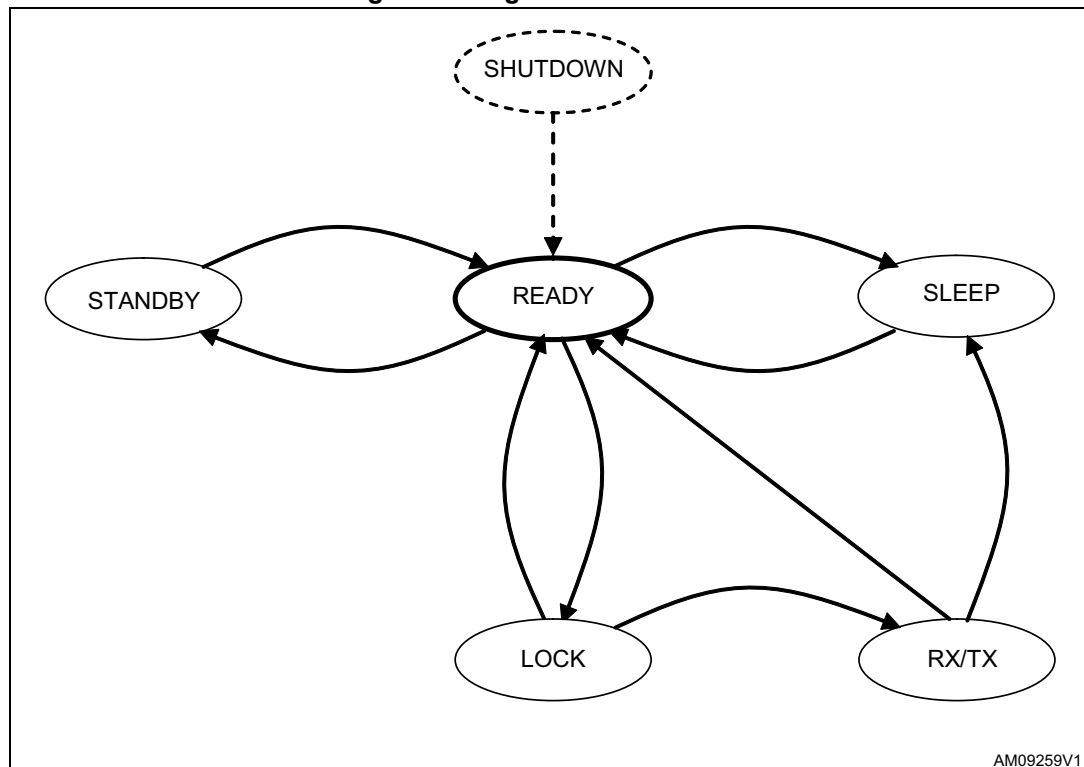
7 Operating modes

The SPIRIT1 is provided with a built-in main controller which controls the switching between the two main operating modes: transmit (TX) and receive (RX).

In shutdown condition (the SPIRIT1 can be switched on/off with the external pin SDN, all other functions/registers/commands are available through the SPI interface and GPIOs), no internal supply is generated (in order to have minimum battery leakage), and hence, all stored data and configurations are lost. The GPIO and SPI ports during SHUTDOWN are in HiZ. From shutdown, the SPIRIT1 can be switched on from the SDN pin and goes into READY state, which is the default, where the reference signal from XO is available.

From READY state, the SPIRIT1 can be moved to LOCK state to generate the high precision LO signal and/or TX or RX modes. Switching from RX to TX and vice versa can happen only by passing through the LOCK state. This operation is normally managed by radio control with a single user command (TX or RX). At the end of the operations above, the SPIRIT1 can return to its default state (READY) and can then be put into a sleeping condition (SLEEP state), having very low power consumption. If no timeout is required, the SPIRIT1 can be moved from READY to STANDBY state, which has the lowest possible current consumption while retaining FIFO, status and configuration registers. To manage the transitions towards and between these operating modes, the controller works as a state-machine, whose state switching is driven by SPI commands. See [Figure 5](#) for state diagram and transition time between states.

Figure 5. Diagram and transition



The SPIRIT1 radio control has three stable states (READY, STANDBY, LOCK) which may be defined stable, and they are accessed by the specific commands (respectively READY,

STANDBY, and LOCKRX/LOCKTX), which can be left only if any other command is used. All other states are transient, which means that, in a typical configuration, the controller remains in those states, at most for any timeout timer duration. Also the READY and LOCK states behave as transients when they are not directly accessed with the specific commands (for example, when LOCK is temporarily used before reaching the TX or RX states).

Table 20. States

STATE[6:0] ⁽¹⁾	State/mode	Digital LDO	SPI	Xtal	RF Synth.	Wake-up timer	Response time to ⁽²⁾	
							TX	RX
-	SHUTDOWN	OFF (register contents lost)	Off	Off	Off	Off	NA	NA
0x40	STANDBY	ON (FIFO and register contents retained)	On	Off	Off	Off	125 μ s	125 μ s
0x36	SLEEP		On	Off	Off	On	125 μ s	125 μ s
0x03	READY (Default)		On	On	Off	Don't care	50 μ s	50 μ s
0x0F	LOCK		On	On	On	Don't care	NA	NA
0x33	RX		On	On	On	Don't care	15 μ s ⁽³⁾	NA
0x5f	TX		On	On	On	Don't care	NA	15 μ s ⁽³⁾

1. All others values of STATE[6:0] are invalid and are an indication of an error condition due to bad registers configuration and/or hardware issue in the application board hosting SPIRIT1.
2. These values are crystal dependent. The values are referred to 52 MHz.
3. These two timings are applicable only for the automatic features (autoACK and CSMA) that automatically switch the device from RX to TX and viceversa. In case it is needed to pass from TX to RX (or viceversa) by means of command strobos, it is necessary to abort the current active state and go to the READY state (please refer to the state machine diagram, figure 5).

Note: Response time SHUTDOWN to READY is ~650 μ s.

READY state is the default state after the power-on reset event. In the steady condition, the XO is settled and usable as the time reference for RCO calibration, for frequency synthesis, and as the system clock for the digital circuits.

The TX and RX modes can be activated directly by the MCU using the TX and RX commands, or automatically if the state machine wakes up from SLEEP mode and some previous TX or RX is pending. The values are intend to a VCO manual calibration.

In LOCK state the synthesizer is in a locking condition^(a). If LOCK state is reached using either one of the two specific commands (LOCKTX or LOCKRX), the state machine remains in LOCK state and waits for the next command. This feature can be used by the MCU to perform preliminary calibrations, as the MCU can read the calibration word in the

a. LOCK state is reached when one of the following events occurs first: lock detector assertion or locking timeout expiration.

RCO_VCO_CALIBR_OUT register and store it in a non-volatile memory, and after that it requires a further tuning cycle.

When TX is activated by the TX command, the state machine goes into TX state and remains there until the current packet is fully transmitted or, in the case of direct mode TX, TXFIFO underflow condition is reached or the SABORT command is applied.

After TX completion, the possible destinations are:

- TX, if the persistent-TX option is enabled in the PROTOCOL configuration registers
- PROTOCOL, if some protocol option (e.g. automatic re-transmission) is enabled
- READY, if TX is completed and no protocol option is in progress.

Similarly, when RX is activated by the RX command, the state machine goes into RX state and remains there until the packet is successfully received or the RX timeout expires. In case of direct mode RX, the RX stops when the RXFIFO overflow condition is reached or the SABORT command is applied. After RX completion, the possible destinations are:

- RX, if the persistent-RX option is enabled in the PROTOCOL configuration registers
- PROTOCOL, if some protocol option (e.g. automatic acknowledgement) is enabled
- READY, if RX is completed and the LDCR mode is not active
- SLEEP, if RX is completed and the LDCR mode is active.

The SABORT command can always be used in TX or RX state to break any deadlock condition and the subsequent destination depends on SPIRIT1 programming according to the description above.

Commands are used in the SPIRIT1 to change the operating mode, to enable/disable functions, and so on. A command is sent on the SPI interface and may be followed by any other SPI access without pulling CSn high.

The complete list of commands is reported in [Table 21](#). Note that the command code is the second byte to be sent on the MOSI pin (the first byte must be 0x80).

Table 21. Commands list

Command code	Command name	Execution state	Description
0x60	TX	READY	Start to transmit
0x61	RX	READY	Start to receive
0x62	READY	STANDBY, SLEEP, LOCK	Go to READY
0x63	STANDBY	READY	Go to STANDBY
0x64	SLEEP	READY	Go to SLEEP
0x65	LOCKRX	READY	Go to LOCK state by using the RX configuration of the synthesizer
0x66	LOCKTX	READY	Go to LOCK state by using the TX configuration of the synthesizer
0x67	SABORT	TX, RX	Exit from TX or RX states and go to READY state
0x68	LDC_RELOAD	All	Reload the LDC timer with the value stored in the LDC_PRESCALER/COUNTER registers

Table 21. Commands list (continued)

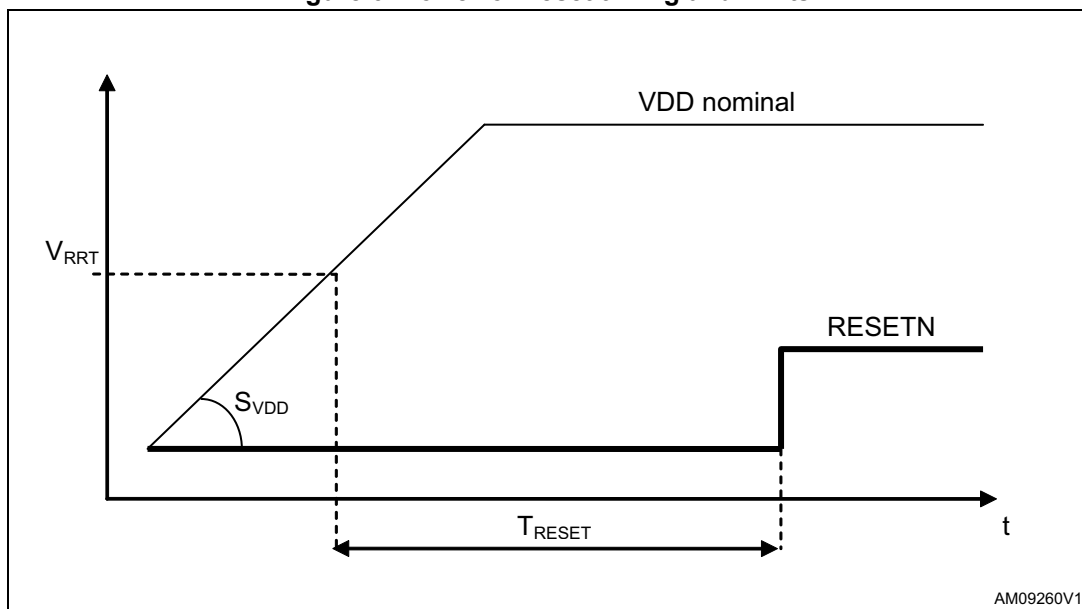
Command code	Command name	Execution state	Description
0x69	SEQUENCE_UPDATE	All	Reload the packet sequence counter with the value stored in the PROTOCOL[2] register.
0x6A	AES Enc	All	Start the encryption routine
0x6B	AES Key	All	Start the procedure to compute the key for decryption
0x6C	AES Dec	All	Start decryption using the current key
0x6D	AES KeyDec	All	Compute the key and start decryption
0x70	SRES	All	Reset
0x71	FLUSHRXFIFO	All	Clean the RX FIFO
0x72	FLUSHTXFIFO	All	Clean the TX FIFO

The commands are immediately valid after SPI transfer completion (i.e. no need for any CSn positive edge).

7.1 Reset sequence

SPIRIT1 is provided with an automatic power-on reset (POR) circuit which generates an internal RESETN active (low) level for a time T_{RESET} after the VDD reaches the reset release threshold voltage V_{RRT} (provided that SDN is low), as shown below. The same reset pulse is generated after a step-down on the input pin SDN (provided that $V_{\text{DD}} > V_{\text{RRT}}$).

Figure 6. Power-on reset timing and limits



The parameters V_{RRT} and T_{RESET} are fixed by design. At RESET, all the registers are initialized to their default values. Typical and extreme values are reported in the following table.

Table 22. POR parameters

Symbol	Parameter	Min.	Typ.	Max.	Unit
V _{RRT}	Reset startup threshold voltage		0.5		V
T _{RESET}	Reset pulse width	0.24	0.65	1.0	ms

Note: An SRES command is also available which generates an internal RESET of the SPIRIT1.

7.2 Timer usage

Most of the timers are programmable via R/W registers. All timer registers are made up of two bytes: the first byte is a multiplier factor (prescaler); the second byte is a counter value.

$$\text{Timer period} = \text{PRESCALER} \times \text{CONTER} \times T_{\text{clk}}$$

The available timers and their features are listed in the following table.

Table 23. SPIRIT1 timers description and duration

No.	Register name	Description	Source	Time step	Max. time
1	RX_TIMEOUT_PRESCALER	RX operation timeout	f _{CLK} /1210	~46µs	~3s
2	RX_TIMEOUT_COUNTER				
3	LDCR_PRESCALER	Wake-up period	RCO	~29µs	~2s
4	LDCR_COUNTER				

Note: If the counter register value (prescaler register value) of Rx timeout is 0, it never stops (infinite timeout), despite the value written in the prescaler register (counter register). It is not allowed to set LDC_PRESCALER or LDC_COUNTER to 0.

For both timers, the effective number of cycles counted is given by the value + 1 (e.g. counter=1 and prescaler=1 produces 2 x 2=4 counts, counter=1 and prescaler=2 produces 2 x 3=6 counts, etc.).

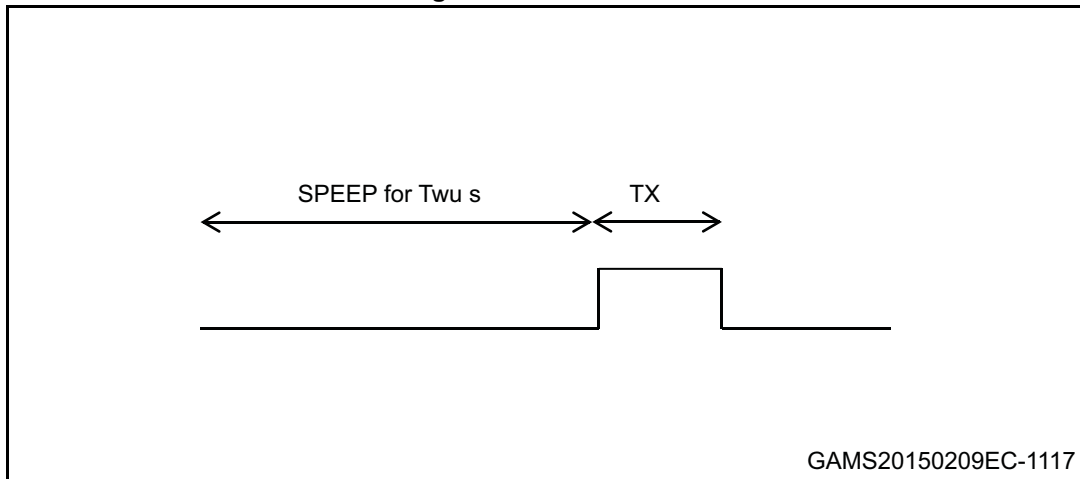
The max period of RX TIMEOUT is related to an f_{CLK} of 26 MHz.

7.3 Low duty cycle reload mode

The SPIRIT1 provides an operating mode, low duty cycle reload (LDCR), that allows operation with very low power consumption, while at the same time keeping an efficient communication link. The device provides a set of timers to handle low duty cycle reception efficiently.

The wake up timer is configured, for example to the value Twu, and the device is in SLEEP for the most of the time, and every Twu it is woken up and set to transmit the content of the FIFO:

Figure 7. LDCR for Tx



GAMS20150209EC-1117

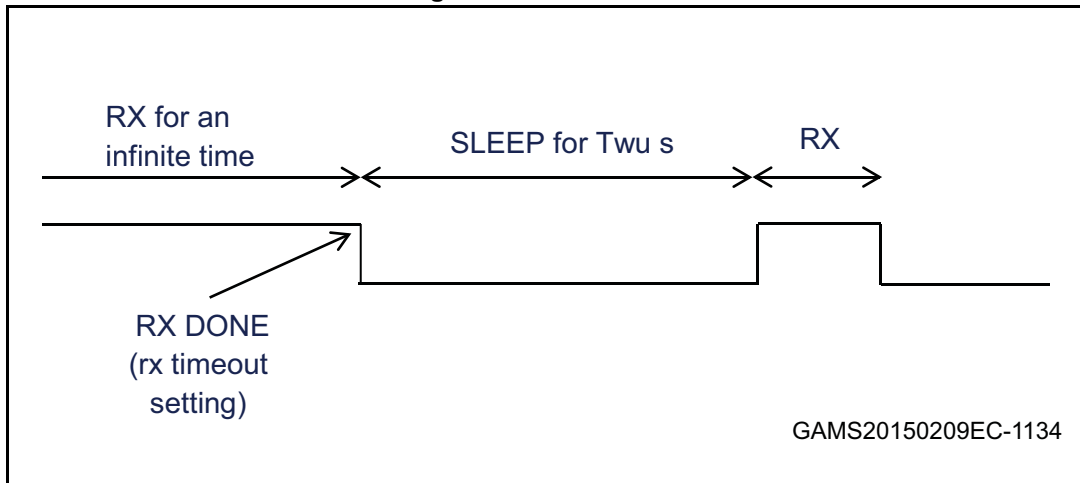
Since the embedded LDCR system automatically manages the transmission strobe, only a FIFO reload has to be done after the TX done IRQ (or in general, before the next wakeup) in order to prepare the next Tx.

On the Rx, there is the same behavior, but on this side, there are some important notes in order to have a reliable link:

1. At the beginning of the communication the device should always be in continuous Rx (infinite Rx timeout).
2. On the first reception the Rx timeout has to be set to be a not infinite value.
3. Since the embedded LDCR system automatically manages the reception strobe the only thing to do is a Rx FIFO reading on the RX_DATA_READY interrupt.

So from now on, also the Rx starts the SLEEP/ACTIVE cycles:

Figure 8. LDCR for Rx



GAMS20150209EC-1134

The wakeup timer for LDCR mode can be set through the LDC_PRESCALER/COUNTER registers. This timer is clocked by the 34.7 kHz RC oscillator keeping unused blocks off.

Due to clock mismatches, it would be better to synchronize RX with the incoming packet every time it occurs in order to ensure the matching between Tx and Rx active slots and avoid that the Tx transmits out of the Rx active slot.

In fact, even if the Tx and Rx wake up timers are nominally the same, they're measured on different time bases (considering the RC oscillators of the two devices that are not the same because of process tolerances).

SPIRIT1 allows doing that in two ways:

- The value of the wake-up timer can be reloaded during runtime using the LDCR_RELOAD command with the values written in the LDC_RELOAD_PRESCALER/COUNTER registers. In doing so, the counting can be delayed or anticipated.
- Alternatively, the wake-up timer can be automatically reloaded at the time the SYNC is received. This option must be enabled on the PROTOCOL register and it is available only for LDC mode in reception.

It is strongly recommended to use the second way with a reload wakeup time equal to `Two-time_to_preamble_and_sync-guard_time` in order to wake up the device `guard_time` ms before the start of Tx.

The RC oscillator must be calibrated correctly before the LDC mode can be used. Also the manual calibration setting is recommended to avoid delay during this mode. If some bits of the IRQ_MASK register are set, the IRQ_STATUS register must be read to allow the access to the SLEEP state after a reception or transmission phase.

7.3.1 LDC mode with automatically acknowledgement.

The LDC mode can be used together with the automatic acknowledgement (STack packet format configured). In this case during a single LDC cycle both the operations of reception and transmission are performed.

If the SPIRIT1 is used as transmitter and the bitfield NACK_TX is RESET (packet's field NO_ACK = 0), at the end of the transmission phase the SPIRIT1 will go automatically in reception phase waiting for an ACK packet. At the end of the reception phase it will go in SLEEP state until the WUT expires.

If the SPIRIT1 is used as receiver with the bitfield AUTO_ACK set and it receives a packet with the NO_ACK field reset, then the transmission of the ACK packet is automatically performed. At the end the SPIRIT1 will go in SLEEP until the WUT expires.

7.4 CSMA/CA engine

The CSMA/CA engine is a channel access mechanism based on the rule of sensing the channel before transmitting. This avoids the simultaneous use of the channel by different transmitters and increases the probability of correct reception of data being transmitted.

CSMA is an optional feature that can be enabled when performing transmission. Please note that CSMA must not be enabled when the transceiver is in receive mode. CSMA cannot be used in conjunction with link layer protocol (see [Section 9.7.5](#)) features such as automatic acknowledgment and automatic retransmission.

When CSMA is enabled, the device performs a clear channel assessment (CCA) before transmitting any data. In SPIRIT1 implementation, CCA is based on a comparison of the channel RSSI with a programmable static carrier sense threshold.

If the CCA finds the channel busy, a backoff procedure may be activated to repeat the CCA process a certain number of times, until the channel is found to be idle. Each time that CCA is retried, a counter (NB) is incremented by one, up to the upper limit (NB_{max}).

When the limit is reached, an NBACKOFF_MAX interrupt request is raised towards the MCU, to notify that the channel has been repeatedly found busy and so the transmission has not been performed.

While in backoff, the device stays in SLEEP/READY state in order to reduce power consumption.

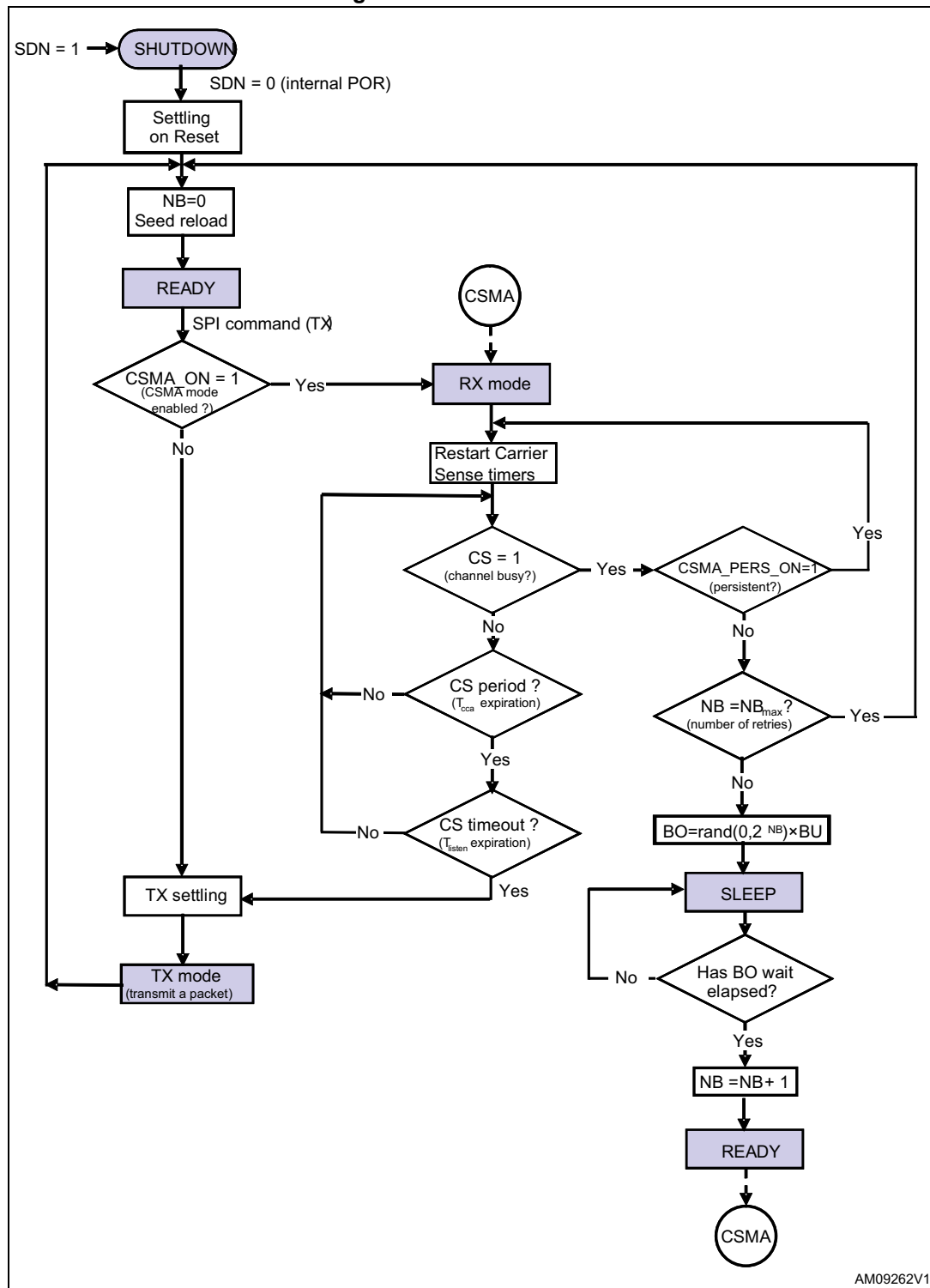
CCA may optionally be persistent, i.e., rather than entering backoff when the channel is found busy, CCA continues until the channel becomes idle or until the MCU stops it.

The thinking behind using this option is to give the MCU the possibility of managing the CCA by itself, for instance, with the allocation of a transmission timer: this timer would start when MCU finishes sending out data to be transmitted, and would end when MCU expects that its transmission takes place, which would occur after a period of CCA.

The choice of making CCA persistent should come from trading off transmission latency, under the direct control of the MCU, and power consumption, which would be greater due to a busy wait in reception mode.

The overall CSMA/CA flowchart is shown in [Figure 9](#), where T_{cca} and T_{listen} are two of the parameters controlling the clear channel assessment procedure. Design practice recommends that these parameters average the channel energy over a certain period expressed as a multiple of the bit period (T_{cca}) and repeat such measurement several times covering longer periods (T_{listen}). The measurement is performed directly by checking the carrier sense (CS) generated by the receiver module.

Figure 9. CSMA flowchart



AM09262V1

To avoid any wait synchronization between different channel contenders, which may cause successive failing CCA operations, the backoff wait time is calculated randomly between 0 and a contention window. The backoff time BO is expressed as a multiple of backoff time units (BU). The contention window is calculated on the basis of the binary exponential

backoff (BEB) technique, which doubles the size of the window at each backoff retry (stored in the NB counter):

$$BO = \text{rand}(0, 2^{NB}) \times BU$$

The CSMA procedure is then controlled by the following parameters:

SEED_RELOAD: enables/disables the reload of the seed used by the backoff random generator at the start of each CSMA procedure (at the time when the counter is reset, i.e. $NB=0$). If this functionality is not enabled, the seed is automatically generated and updated by the generator circuit itself.

CSMA_ON: enables/disables the CSMA procedure (11th bit of the PROTOCOL[1] register); this bit is checked at each packet transmission.

CSMA_PERS_ON: makes the carrier sense persistent, i.e. the channel is continuously monitored until it becomes free again, skipping the backoff waiting steps (9th bit of the PROTOCOL[1] register); the MCU can stop the procedure with an SABORT command.

BU_COUNTER_SEED_MSBYTE/LSBYTE: these bytes are used to set the seed of the pseudo-random number generator when the CSMA cycle starts (CSMA_CONFIG[3:2] registers), provided that the SEED_RELOAD bit is enabled. Value 0 is not allowed, because the pseudo-random generator does not work in that case.

BU_PRESCALER[5:0]: prescaler which is used to configure the backoff time unit ^(b)
 $BU = BU_PRESCALER$ in [Figure 9](#) (field of the CSMA_CONFIG[1] register).

CCA_PERIOD[1:0]: code which programs the T_{cca} time (expressed as a multiple of Tbit samples) between two successive CS samplings (field of the CSMA_CONFIG[1] register), as follows:

- 00 64×Tbit
- 01 128×Tbit
- 10 256×Tbit
- 11 512×Tbit.

CCA_LENGTH[3:0]: configuration of $T_{listen} = [1..15] \times T_{cca}$

NBACKOFF_MAX[2:0]: max. number of backoff cycles.

b. Note that the backoff timer is clocked on the 34.7 kHz clock, because, in this case, the SPIRIT1 is in SLEEP state, in order to reduce power consumption.

8 Block description

8.1 Power management

The SPIRIT1 integrates a high efficiency step-down converter cascaded with LDOs meant to supply both analog and digital parts. However, an LDO directly fed by the external battery provides a controlled voltage to the data interface block.

8.1.1 Switching frequency

The SMPS switching frequency can be provided either by a divider by four or by a programmable rate multiplier. The divider by four or the rate multiplier is activated when the EN_RM bit is set both 0 and 1 in the PM_CONFIG[2:0] register bank. When the rate multiplier is activated, the divider ratio can be programmed by KRM[14:0] word in the PM_CONFIG[2:0] register bank. In this case, the SMPS switching frequency is given by the following formula:

$$F_{sw} = \frac{KRM \cdot f_{CLK}}{2^{15}}$$

The SMPS runs properly when the bits SET_SMPS_VTUNE and SET_SMPS_PLLBW (see PM_CONFIG[2:0] register bank) are set according to the programmed switching frequency.

Table 24. SMPS configuration settings

SET_SMPS_PLLBW	SET_SMPS_VTUNE	Switching frequency range
0	0	2.0 MHz - 4.5 MHz
0	1	3.5 MHz - 7.0 MHz
1	0	4.5 MHz - 7.5 MHz
1	1	4.5 MHz - 10 MHz

8.2 Power-on-reset (POR)

The power-on-reset circuit generates a reset pulse upon power-up which is used to initialize the entire digital logic. Power-on-reset senses V_{BAT} voltage.

8.3 Low battery indicator

The battery indicator can provide the user with an indication of the battery voltage level.

There are two blocks to detect battery level:

- Brownout with a fixed threshold as defined in [Table 19: Battery indicator and low battery detector](#)
- Battery level detector with a programmable threshold as defined in [Table 19: Battery indicator and low battery detector](#).

Both blocks can be optionally activated to provide the MCU with an early warning of impending power failure. It does not reset the system, but gives the MCU time to prepare for an orderly power-down and provides hardware protection of data stored in the program memory, by preventing write instructions being executed.

The low battery indicator function is available in any of the SPIRIT1 operation modes. As this function requires the internal bias circuit operation, the overall current consumption in STANDBY, SLEEP, and READY modes is increased by 400 μ A.

8.4 Voltage reference

This block provides the precise reference voltage needed by the internal circuit.

8.5 Oscillator and RF synthesizer

A crystal connected to XIN and XOUT is used to provide a clock signal to the frequency synthesizer. The allowed clock signal frequency is either 24, 26, 48, or 52 MHz. As an alternative, an external clock signal can be used to feed XIN for proper operation. In this option, XOUT can be left either floating or tied to ground.

Since the digital macro cannot be clocked at that double frequency (48 MHz or 52 MHz), a divided clock is used in this case.

The digital clock divider is enabled by default and must be kept enabled if the crystal is in the (48 - 52) MHz range; if the crystal is in the (24 - 26) MHz range, then the divider must be disabled before starting any TX/RX operation. The safest procedure to disable the divider without any risk of glitches in the digital clock is to switch into STANDBY mode, hence, set the bit-field PD_CLKDIV in the XO_RCO_TEST register, and then come back to the READY state. Also the synthesizer reference signal can be divided by 2, setting the bit-field REFDIV in the SYNTH_CONFIG register.

The integrated phase locked loop (PLL) is capable to synthesize a wide band of frequencies, in particular the bands from 150 to 174 MHz, from 300 to 348 MHz, from 387 to 470 MHz, or from 779 to 956 MHz, providing the LO signal for the RX chain and the input signal for the PA in the TX chain.

Frequency tolerance and startup times depend on the crystal used, although some tuning of the latter parameter is possible through the GM_CONF field of the ANA_FUNC_CONF registers.

Table 25. Programmability of trans-conductance at startup

GM_CONF[2:0]	Gm at startup [mS]
000	13.2
001	18.2
010	21.5
011	25.6
100	28.8
101	33.9

Table 25. Programmability of trans-conductance at startup

GM_CONF[2:0]	Gm at startup [mS]
110	38.5
111	43.0

Depending on the RF frequency and channel spacing, a very high accurate crystal or TCXO can be required.

The RF synthesizer implements fractional sigma delta architecture to allow fast settling and narrow channel spacing. It is fully integrated and uses a multi-band VCO to cover the whole frequency range. All internal calibrations are performed automatically.

The PLL output frequency can be configured by programming the SYNT field of the SYNT3, SYNT2, SYNT1, and SYNT0 registers and BS field of the SYNT0 register (see [Section 9.5.2](#)). The user must configure these registers according to the effective reference frequency in use (24 MHz, 26 MHz, 48 MHz, or 52 MHz). In the latter two cases, the user must enable the frequency divider by 2 for the digital clock, in order to run the digital macro at a lower frequency. The configuration bit for the digital clock divider is inside the XO_RCO_TEST register (default case is divider enabled). In addition, the user can also enable a divider by 2 applied to the reference clock. The configuration bit for the reference clock divider is inside the SYNTH_CONFIG[1] register. The user must select a 3-bit word in order to set the charge pump current according to the LO frequency variations, in order to have a constant loop bandwidth. This can be done by writing the WCP field of the SYNT3 register, according to the following table:

Table 26. CP word look-up

Channel frequency		WCP [2:0]
145.1	147.1	000
147.1	149.1	001
149.1	151.1	010
151.1	153.2	011
153.2	155.2	100
155.2	157.2	101
157.2	159.2	110
159.2	161.1	111
161.3	163.5	000
163.5	165.7	001
165.7	168.0	010
168.0	170.3	011
170.3	172.5	100
172.5	174.8	101
174.8	177.0	110
177.0	179.3	111

Table 26. CP word look-up (continued)

Channel frequency		WCP [2:0]
290.3	294	000
294.3	298.3	001
298.3	302.3	010
302.4	306.4	011
306.4	310.4	100
310.4	314.4	101
314.4	318.4	110
318.4	322.6	111
322.6	327.0	000
327.0	331.4	001
331.4	335.9	010
335.9	340.5	011
340.5	344.9	100
344.9	349.5	101
349.5	353.9	110
353.9	358.5	111
387.0	392.3	000
392.3	397.7	001
397.7	403.0	010
403.0	408.5	011
413.8	419.2	101
419.2	424.6	110
424.6	430.1	111
430.1	436.0	000
436.0	441.9	001
441.9	447.9	010
447.9	454.0	011
454.0	459.9	100
459.9	466.0	101
466.0	471.9	110
471.9	478.0	111
774.0	784.7	000
784.7	795.3	001
795.3	806.0	010
806.0	817.0	011

Table 26. CP word look-up (continued)

Channel frequency		WCP [2:0]
817.0	827.7	100
827.7	838.3	101
838.3	849.2	110
849.2	860.2	111
860.2	872.0	000
872.0	883.8	001
883.8	895.8	010
908.0	919.8	100
919.8	932.0	101
932.0	943.8	110
943.8	956.0	111

The SPIRIT1 is provided with an automatic and very fast calibration procedure for the frequency synthesizer. If not disabled, it is performed each time the SYNTH is required to lock to the programmed RF channel frequency (i.e. from READY to LOCK/TX/RX or from RX to TX and vice versa). Calibration time is 54 μ s.

After completion, the calibration word is used automatically by the SPIRIT1 and is stored in the RCO_VCO_CALIBR_OUT[1:0] registers.

In order to get the synthesizer locked when the calibration procedure is not enabled, the correct calibration words to be used must be previously stored in the RCO_VCO_CALIBR_IN[2:0] registers using VCO_CALIBR_TX and VCO_CALIBR_RX fields for TX and RX modes respectively.

The advantage of performing an offline calibration is that the LOCK/setting time is roughly 20 μ s (using proper VCO_CALIBR_TX/RX register values).

It is recommended to set the T split time at the longest value (3.47 ns) to facilitate the calibrator operation, SEL_TSPLIT field of the register SYNTH_CONFIG[0] (register address 0x9F) at 1.

If calibration is enabled, the LOCK/setting time is approximately 80 μ s. VCO should be recalibrated if the temperature of the environment changes. Indeed a temperature change affects the PLL work point and the calibration words need to be recalculated.

Between the READY and the LOCK state a transient state called LOCKWON (MC_STATE code 0x13) will persist until the LOCK is reached.

The LOCKWON state may persist indefinitely in two cases:

- in case of hardware problem (bad XTAL or chip soldering).
- if a TX, LOCKTX, RX, LOCKRX command is sent with a bad VCO calibration word (RCO_VCO_CALIBR_IN[1:0]) or if the VCO calibration fails.

In this case, a SRES command should be sent to restore the device in READY state. As a side effect, all the registers will be restored at the initial values.

8.6 RCO: features and calibration

The SPIRIT1 contains an ultra-low power RC oscillator capable of generating 34.7 kHz with both 24 MHz and 26 MHz; the RC oscillator frequency is calibrated comparing it against the digital domain clock fCLK divided by 692 or 750, respectively. The configuration bit, called 24_26MHz_SELECT in the ANA_FUNC_CONF register, contains the information of the calibrator about the frequency of the crystal under operation. If the digital domain clock is 25 MHz, the setting of the configuration bit 24_26MHz_SELECT will calibrate the low power RC oscillator according to the following table:

Table 27. RC calibrated speed

Digital domain clock	24_26MHz_SELECT	RC calibrated speed
24 MHz	0	34.7 kHz
26 MHz	1	34.7 kHz
25 MHz	0	36.1 kHz
25 MHz	1	33.3 kHz

By default, the calibration is disabled at reset to avoid using an out-of-range reference frequency (for instance, when the XTAL is 26 MHz and the digital divider is active, in fact, by default). After the internal clock divider is correctly configured, the user can enable the RCO calibration in the PROTOCOL[2] register.

The user can replace the internal 34 kHz-signal source with an external one (provided through a GPIO, [Section 10.3](#)). To enable the usage of the external signal, the user must set the EXT_RCOSC bit in the XO_RCO_CONFIG register. However, the internal calibrator is not automatically disabled from the EXT_RCOSC bit (the user must reset the RCO_CALIBRATION bit in the PROTOCOL[2] register, if previously set).

8.6.1 RC oscillator calibration

RC oscillator calibration is enabled when bit RCO_CALIBRATION is set in the PROTOCOL[2] register (by default the calibration is disabled). The calibration words found by the calibration algorithm are accessible in the RCO_VCO_CALIBR_OUT[1:0] registers (fields RWT_OUT[3:0] and RFB_OUT[4:0]).

When the calibration is disabled, the frequency of the RC oscillator is set by a couple of configuration words, namely RWT_IN[3:0] and RFB_IN[4:0], in the RCO_VCO_CALIBR_IN[2:0] registers (fields RWT_IN[3:0] and RFB_IN[4:0]). RWT_IN[3:0] can range from 0 up to 13 (decimal value) affecting the raw value of the frequency, while the more accurate and fine control is up to RFB_IN[4:0] (ranging from 1 up to 31).

8.7 AGC

The AGC algorithm is designed to keep the signal amplitude within a specific range by controlling the gain of the RF chain in 6 dB steps, up to a maximum attenuation of 48dB, starting at a received signal power of about -50dBm.

The signal peak amplitude measured is compared with a low threshold and with a high threshold. If it is above the high threshold, the attenuation is increased sequentially until the

amplitude goes below the threshold; if the amplitude is below the low threshold, the attenuation is decreased sequentially until the amplitude goes above the threshold.

The AGC algorithm is controlled by the following parameters:

- High threshold: this value sets the digital signal level above which the attenuation is increased (AGCCTRL1 register, allowed values 0...15).
- Low threshold: this value sets the digital signal level below which the attenuation is decreased (AGCCTRL1 register, allowed values 0...15).
- Measure time: this parameters sets the measurement interval during which the signal peak is determined (AGCCTRL2 register, allowed values 0...15). the actual time is:

$$T_{AGCmeas} = \frac{12}{f_{CLK}} \cdot 2^{MEAS_TIME}$$

ranging from about 0.5µs to about 15ms. In FSK, GFSK and MSK, the measurement time is normally set to a few µs in order to achieve fast settling of the algorithm. In OOK and ASK, to avoid an unstable behavior, the measure time must be larger than the duration of the longest train of '0' symbols expected.

- AGC enable: enables the AGC algorithm (AGC_ENABLE: 0>disabled, 1>enabled).

8.8 AFC

The SPIRIT1 implements an automatic frequency compensation algorithm to balance TX/RX crystal frequency inaccuracies. The receiver demodulator estimates the centre of the received data and compensates the offset between nominal and receiver frequency.

The tracking range of the algorithm is programmable and is a fraction of the receive channel bandwidth. Frequency offset compensation is supported for 2-FSK, GFSK, and MSK modulation.

When the relative frequency error between transmitter and receiver is less than half the modulation bandwidth, the AFC corrects the frequency error without needing extra bandwidth. When the frequency error exceeds BW_{mod}/2, some extra bandwidth is needed to assure proper AFC operation under worst-case conditions. The AFC can be disabled if the TX/RX frequency misalignment is negligible with respect to the receiver bandwidth, for example, when using a TCXO.

AFC algorithm works with a fast and a slow period.

Fast period starts when the RSSI threshold is asserted and it is a fixed duration period. Its duration is given by the AFC_FAST_PERIOD parameter expressed as number of symbols. During the fast period, the AFC_FAST_GAIN is used.

Slow period starts after the end of the fast period and it could:

- last until SYNC detection if there is SYNC and AFC_FREEZE_ON_SYNC is 1
- last indefinitely in all the other cases

During the slow period, the AFC_SLOW_GAIN is used.

The AFC_PD_LEAKAGE is a parameters that controls the speed of the frequency peak detector of the AFC algorithm.

8.9 Symbol timing recovery

The SPIRIT1 supports two different algorithms for the timing recovery. The choice of the algorithm actually used is controlled by the `CLOCK_REC_ALGO_SEL` bit of register `FDEV0`.

If `CLOCK_REC_ALGO_SEL = 0` then a simple first order algorithm is used (shortly referred to as DLL), if `CLOCK_REC_ALGO_SEL = 1` then a second order algorithm is used (shortly referred to as PLL).

8.9.1 DLL mode

The algorithm is able to control the delay of the local bit timing generator in order to align it to the received bit period. If there is an error between the actual received bit period and the nominal one, the relative edges will drift over time and the algorithm will periodically apply a delay correction to recover.

The convergence speed of the loop is controlled by the `CLK_REC_P_GAIN` parameter in the `CLOCKREC` register with a smaller value yielding a faster loop. Allowed values are from 0 to 7.

8.9.2 PLL mode

The PLL algorithm tracks the phase error of the local timing generator relative to received bit period and controls both frequency and phase to achieve the timing lock. Once that the relative period error has been estimated and corrected for example during the preamble phase, then even in presence of long sequences of zeros or ones, the loop is able to keep lock.

The convergence speed of the loop is controlled by the `CLK_REC_P_GAIN` and the `CLK_REC_I_GAIN` parameters both in the `CLOCKREC` register. Allowed values are from 0 to 7 for the `CLK_REC_P_GAIN` and from 0 to 15 for the `CLK_REC_I_GAIN`.

8.10 Receiver

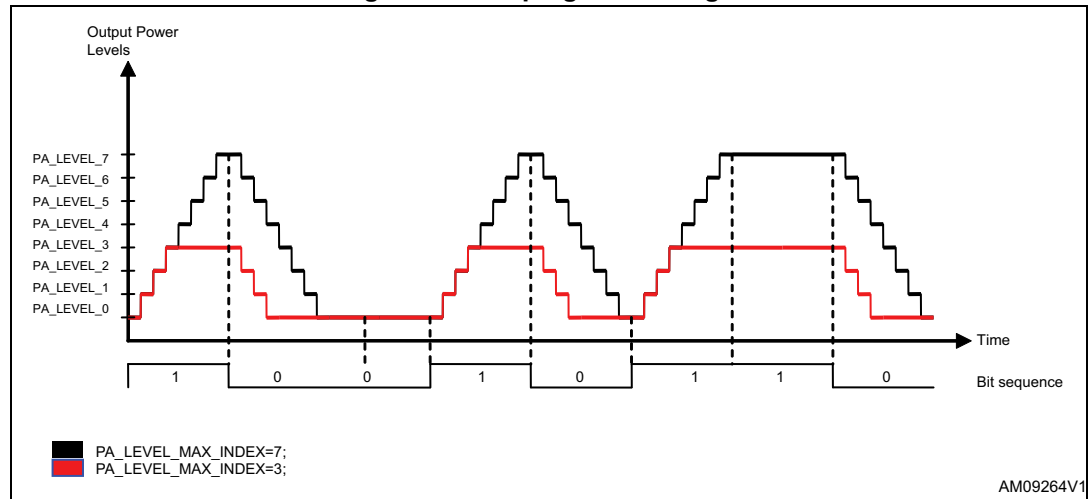
The SPIRIT1 contains a low-power low-IF receiver which is able to amplify the input signal and provide it to the ADC with a proper signal to noise ratio. The RF antenna signal is converted to a differential one by an external balun, which performs an impedance transformation also. The receiver gain can be programmed to accommodate the ADC input signal within its dynamic range. After the down-conversion at IF, a first order filter is implemented to attenuate the out-of-band blockers.

8.11 Transmitter

The SPIRIT1 contains an integrated PA capable of transmitting at output levels between -30 dBm to +11 dBm. The PA is single-ended and has a dedicated pin (TXOUT). The PA output is ramped up and down to prevent unwanted spectral splatter. In TX mode the PA drives the signal generated by the frequency synthesizer out to the antenna terminal. The output power of the PA is programmable via SPI. Delivered power, as well as harmonic content, depends on the external impedance seen by the PA. To obtain approval on ETSI EN 300 220, it is possible to program TX to send an unmodulated carrier.

The output stage is supplied from the SMPS through an external choke and is loaded with a LC-type network which has the function of transforming the impedance of the antenna and filter out the harmonics. The TX and RX pins are tied directly to share the antenna. During TX, the LNA inputs are internally shorted to ground to allow for the external network resonance, so minimizing the power loss due to the RX.

Figure 10. Shaping of ASK signal



8.12 Temperature sensors (TS)

The SPIRIT1 can provide an analog temperature indication as a voltage level, which is available at the GPIO_0 pin. The voltage level V_0 at room temperature (or any other useful reference temperature) should be acquired and stored by the MCU in order to compensate for the offset. The relationship between temperature and voltage is the following:

Equation 2

$$T = 400 \cdot (V_{\text{temp}} - V_0) + (T_0 + 3.75) \quad (^\circ\text{C})$$

where V_0 is the voltage at temperature T_0 .

Two output modes are available: buffered or not buffered (high output impedance, about 100 k Ω). The latter mode is the default one.

The TS function is available in every operating mode. When enabled, the internal logic allows the switching on of all the necessary circuitry.

To enable the TS function, the user must perform the following operations:

- Set to 1 the TS bit in the ANA_FUNC_CONF[0] register
- Program as "Analog" (00) the GPIO_MODE field in the GPIO0_CONF register (other fields are neglected)
- Optionally, enable the buffered mode (the EN_TS_BUFFER bit in the PM_CONFIG[2] register).

As the TS function requires the internal bias circuit operation, the overall current consumption in STANDBY, SLEEP, and READY modes is increased by 400 μA .

8.13 AES encryption co-processor

The SPIRIT1 provides data security support as it embeds an advanced encryption standard (AES) core which implements a cryptographic algorithm in compliance with NIST FIPS 197.

Three registers are available to use the AES engine of SPIRIT1:

- AES_KEY_IN [15:0]: R/W type register (128-bit), used to provide the key to use
- AES_DATA_IN [15:0]: R/W type register (128-bit), used to provide the input to the AES engine
- AES_DATA_OUT [15:0]: R type register (128-bit), used to retrieve the output of the AES operation.

The core processes 128-bit data blocks using 128-bit keys.

The AES can be accessed in any of the SPIRIT1 operation modes.

To turn on the AES engine, the AES_ON bit in the ANA_FUNC_CONF[0] register must be set.

Once the AES engine is on, it processes the operations according to the commands sent.

The SPIRIT1 engine provides 4 different operations:

1. Encryption using a given encryption key (AES Enc command). In this operation, the MCU puts the encryption key into the AES_KEY_IN[15:0] register and the data to encrypt into the AES_DATA_IN[15:0]. The MCU sends the AES Enc command and when the AES_EOP (end of operation) is issued, the MCU can retrieve the data encrypted from AES_DATA_OUT[15:0]
2. Decryption key derivation starting from an encryption key (AES Key command). In this operation, the MCU puts the encryption key into AES_DATA_IN[15:0]. The MCU sends the AES Key command and when the AES_EOP (end of operation) is issued, the MCU can retrieve the decryption key from AES_DATA_OUT[15:0]
3. Data decryption using a decryption key (AES Dec command). In this operation, the MCU puts the decryption key into the AES_KEY_IN[15:0] register and the data to decrypt into AES_DATA_IN[15:0]. The MCU sends the AES Dec command and when the AES_EOP (end of operation) is issued, the MCU can retrieve the data decrypted from AES_DATA_OUT[15:0].
4. Data decryption using a decryption key (AES KeyDec command). In this operation, the MCU puts the encryption key into the AES_KEY_IN[15:0] register and the data to decrypt into AES_DATA_IN[15:0]. The MCU sends the AES KeyDec command and when the AES_EOP (end of operation) is issued, the MCU can retrieve the data decrypted from AES_DATA_OUT[15:0].

9 Transmission and reception

9.1 PA configuration

The PA output power level can be configured by programming the PA_POWER[8:0] register bank. The user can store up to eight output levels to provide flexible PA power ramp-up and ramp-down at the start and end of a frequency modulation transmission as well as ASK modulation shaping.

The power levels of the ramp are controlled by 7-bit words (PA_LEVEL_x, x=0 – 7), according to the following table:

Table 28. PA_level

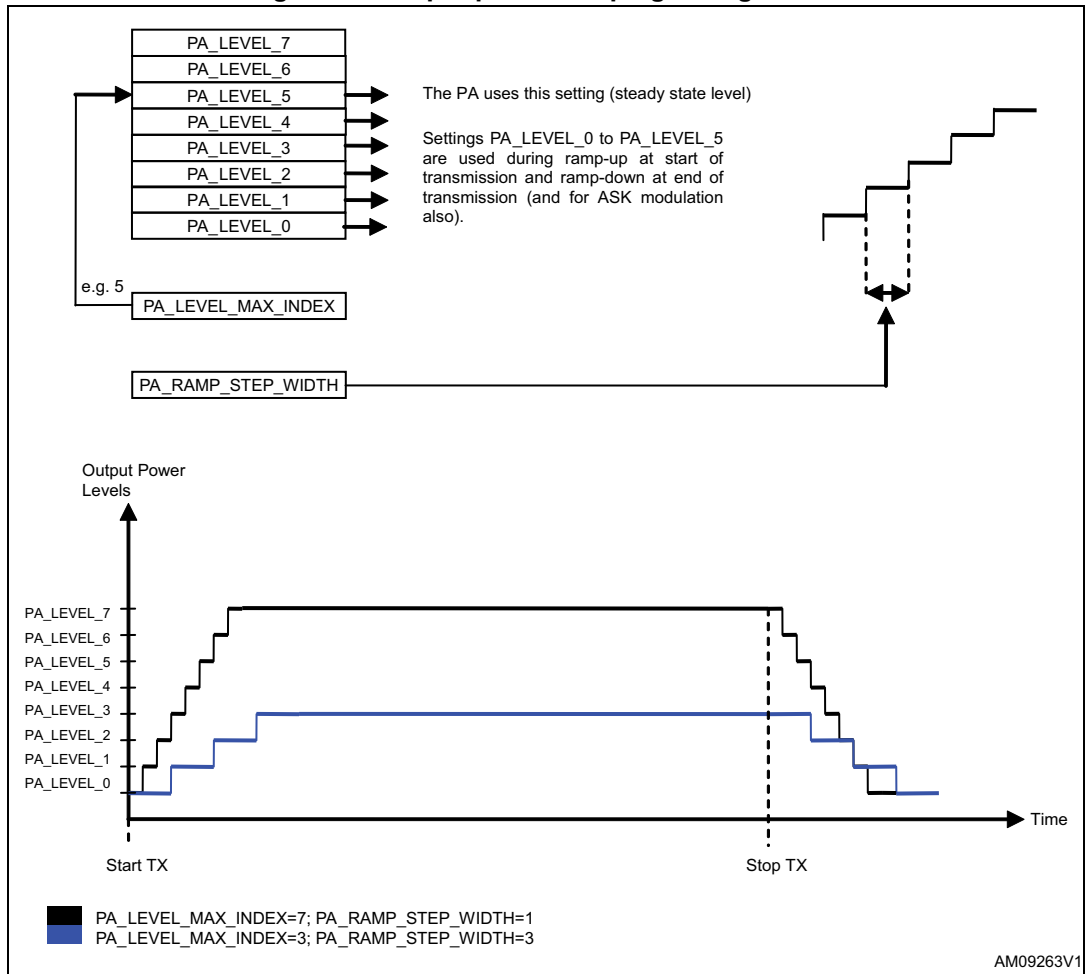
PA_LEVEL_x	Comment	P _{OUT} [dBm] (170MHz)
0	No output power: output stage in high impedance mode and all circuits switched off.	-
1	Maximum output power	11
...		
30		0
...		
42		-6
...		
90	Minimum level	-34
91-127	Reserved	N/A

Incrementing by 1 the PA register value will correspond about to half dB decrement of output power.

The power ramping is enabled by the PA_RAMP_ENABLE bit. If enabled, the ramp starts from the level defined by the word PA_LEVEL_0 and stops at the level defined by the word PA_LEVEL_x, where x is the value of the 3-bit field PA_LEVEL_MAX_INDEX. So, a maximum of 8 steps can be set up. [Figure 11](#) describes the levels table and shows some examples.

Each step is held for a time interval defined by the 2-bit field PA_RAMP_STEP_WIDTH. The step width is expressed in terms of bit period units ($T_b/8$), maximum value is 3 (which means $4 \times T_b/8 = T_b/2$). Therefore the PA ramp may last up to 4 T_b (about 3.3 ms if the bit rate is 1.2 kbit/s).

Figure 11. Output power ramping configuration



The set of 8 levels is used to shape the ASK signal. In this case, the modulator works as a counter that counts up when transmitting a one and down when transmitting a zero. The counter counts at a rate equal to 8 times the symbol rate (in this case, the field PA_RAMP_STEP_WIDTH is not used). This counter value is used as an index for the lookup in the levels table in [Figure 11](#) to associate the relevant POUT value. Therefore, in order to utilize the whole table, PA_LEVEL_MAX_INDEX should be 7 when ASK is active. The real shaping of the ASK signal is dependent on the configuration of the PA_LEVEL_x registers. [Figure 11](#) shows some examples of ASK shaping.

Using the a frequency modulation, the output power is configured by PA_LEVEL_x, with x=PA_LEVEL_MAX_INDEX.

For OOK modulation, the signal is abruptly switched between two levels only, these are PA_LEVEL_0 and PA_LEVEL_x, with x=PA_LEVEL_MAX_INDEX.

The 2-bit CWC field in the PA_POWER register bank can be used to tune the internal capacitive load of the PA (up to 3.6 pF in steps of 1.2 pF) in order to optimize the performance at different frequencies.

The output power are reported in [Table 28: PA_level](#).

9.2 RF channel frequency settings

RF channels can be defined using the CHSPACE and CHNUM registers.

The channel center frequency can be programmed as:

Equation 3

$$f_c = f_{\text{base}} + f_{\text{offset}} + \left(\frac{f_{\text{XO}}}{2^{15}} \cdot \text{CHSPACE} \right) \cdot \text{CHNUM}$$

This allows the setting of up to 256 channels with a programmable raster. The raster granularity is about 793 Hz at 26 MHz and becomes about 1587 Hz at 52 MHz.

The actual channel spacing is from 793 Hz to 202342 Hz in 793 Hz steps for the 26 MHz configuration and from 1587 to 404685 Hz in 1587 Hz steps for the 52 MHz configuration.

The base carrier frequency, i.e. the carrier frequency of channel #0, is controlled by the SYNT0, SYNT1, SYNT2, and SYNT3 registers according to the following formula:

Equation 4

$$f_{\text{base}} = \frac{f_{\text{XO}}}{(B \cdot D)} \cdot \frac{\text{SYNT}}{2^{18}}$$

where:

- f_{XO} is the frequency of the XTAL oscillator (typically 24 MHz, 26 MHz, 48 MHz, or 52 MHz)
- SYNT is a programmable 26-bit integer.

Equation 5

$$B = \begin{cases} 6 & \text{for the high band (from 779MHz to 956MHz, BS = 1)} \\ 12 & \text{for the middle band (387MHz to 470MHz, BS = 3)} \\ 16 & \text{for the low band (300MHz to 348MHz, BS = 4)} \\ 32 & \text{for the very low band (169 MHz, BS = 5)} \end{cases}$$

Equation 6

$$D = \begin{cases} 1 & \text{if REFDIV 0 (internal reference divider is disabled)} \\ 2 & \text{if REFDIV 1 (internal reference divider is enabled)} \end{cases}$$

The offset frequency is a correction term which can be set to compensate the crystal inaccuracy after e.g. lab calibration.

Equation 7

$$f_{\text{offset}} = \frac{f_{\text{XO}}}{2^{18}} \cdot \text{FC_OFFSET}$$

where:

- FC_OFFSET is a 12-bit integer (expressed as 2's complement number) set by the FC_OFFSET[1:0] registers

Furthermore, the selection between VCOH ("high") and VCOL ("low") in the frequency synthesizer according to the band selected and the VCO threshold is required.

If the center frequency is below the frequency threshold for that frequency band, the VCO_L must be selected by setting the bit 2 VCO_L_SEL field in the SYNTH_CONFIG register.

If the center frequency is above the frequency threshold for that frequency band, VCO_H must be selected by setting the bit 1 VCO_H_SEL field in the SYNTH_CONFIG register.

Table 29. Frequency threshold

Frequency threshold for each band (MHz) ⁽¹⁾			
Very low band	Low band	Middle band	High band
161281250	322562500	430083334	860166667

1. By default, the VCO_H is selected.

The user must make sure that actual frequency programming is inside the specified frequency range. The accuracy of the offset is about 99 Hz for the 26 MHz reference and about 198 Hz for the 52 MHz reference.

9.3 RX timeout management

In SPIRIT1, the RX state is specifically time monitored in order to minimize power consumption. This is done by a RX timeout approach, which aborts the reception after RX timeout expiration. The timer used to control RX timeout is controlled by the registers RX_TIMEOUT_PRESCALER and RX_TIMEOUT_COUNTER. However, to avoid the reception to be interrupted during a valid packet, a number of options to stop the timeout timer are available for the user. They are based on the received signal quality indicators (see [Section 9.10](#) for a full description of them):

- CS valid
- SQI valid
- PQI valid

More specifically, both 'AND' or 'OR' boolean relationships among any of them can be configured. This is done using the selection bit RX_TIMEOUT_AND_OR_SELECT in PCKT_FLT_OPTIONS register. To choose which of the quality indicators should be taken into account in the AND/OR Boolean relationship, the user should use the mask bits available in the PROTOCOL[2] register.

The full true-table including any logical AND/OR among such conditions is reported in [Table 30](#).

Table 30. RX timeout stop condition configuration

RX_TIMEOUT_AND_OR_SELECT	CS_TIMEOUT_MASK	SQI_TIMEOUT_MASK	PQI_TIMEOUT_MASK	Description
0	0	0	0	The RX timeout never expires and the reception ends at the reception of the packet
1	0	0	0	The RX timeout cannot be stopped. It starts at the RX state and at the end expires (default)
X	1	0	0	RSSI above threshold
X	0	1	0	SQI above threshold
X	0	0	1	PQI above threshold
0	1	1	0	Both RSSI AND SQI above threshold
0	1	0	1	Both RSSI AND PQI above threshold
0	0	1	1	Both SQI AND PQI above threshold
0	1	1	1	ALL above threshold
1	1	1	0	RSSI OR SQI above threshold
1	1	0	1	RSSI OR PQI above threshold
1	0	1	1	SQI OR PQI above threshold
1	1	1	1	ANY above threshold

When reception is aborted on timeout expiration, the packet is considered not valid and will be discarded.

It is responsibility of the user to choose the proper boolean condition that suit its application. In particular, it is required to include always SQI valid check, to avoid to stay in RX state for unlimited time, if timeout is stopped but no valid SQI is detected (in such cases, the RX state can be left using a SABORT command).

It is also important to notice that, in case a packet is received, that the timeout is stopped by some of the conditions in order to get an RX data ready interrupt, otherwise SPIRIT1 will wait in RX mode for the RX timeout to expire anyway.

9.4 Intermediate frequency setting

The intermediate frequency (IF) is controlled by the registers IF_OFFSET_ANA and IF_OFFSET_DIG, and can be set as:

Equation 8

$$\text{IF_OFFSET_ANA} = \text{ROUND} \cdot \left(\frac{f_{\text{IF}}}{f_{\text{XO}}} \cdot 3 \cdot 2^{12} - 64 \right)$$

Equation 9

$$\text{IF_OFFSET_DIG} = \text{ROUND} \cdot \left(\frac{f_{\text{IF}}}{f_{\text{CLK}}} \cdot 3 \cdot 2^{12} - 64 \right)$$

where f_{XO} is the XTAL oscillator frequency (24, 25, 26, 48, 50 or 52 MHz) and f_{CLK} is the digital clock frequency (24, 25 or 26 MHz).

The recommended IF value is about 480 kHz resulting in the following register setting:

Table 31. IF_OFFSET settings

IF_OFFSET_ANA	IF_OFFSET_DIG	f_{IF} [kHz]	f_{XO} [MHz]
0xB6	0xB6	480.469	24
0xAC	0xAC	480.143	25
0xA3	0xA3	480.306	26
0x3B	0xB6	480.469	48
0x36	0xAC	480.143	50
0x31	0xA3	480.140	52

9.5 Modulation scheme

The following modulation formats are supported: 2-FSK, GFSK, MSK, OOK, and ASK. The actual modulation format used is controlled by the MOD_TYPE field of the MOD0 register:

- MOD_TYPE =
 - 0 (00): 2-FSK
 - 1 (01): GFSK
 - 2 (10): ASK/OOK
 - 3 (11): MSK

In 2-FSK and GFSK modes, the frequency deviation is controlled by the FDEV register according to the following formula:

Equation 10

$$f_{\text{dev}} = f_{\text{xo}} \frac{\text{floor}((8 + \text{FDEV_M}) \cdot 2^{\text{FDEV_E} - 1})}{2^{18}}$$

where:

- f_{XO} is the XTAL oscillator frequency (typically 26 MHz or 52 MHz).
- FDEV_M is a 3-bit integer ranging from 0 to 7
- FDEV_E is a 4-bit integer ranging from 0 to 9.

The f_{dev} values obtainable are then:

For $f_{XO} = 52$ MHz

E/M	0	1	2	3	4	5	6	7
0	793.5	793.5	991.8	991.8	1190.2	1190.2	1388.5	1388.5
1	1586.9	1785.3	1983.6	2182.0	2380.4	2578.7	2777.1	2975.5
2	3173.8	3570.6	3967.3	4364.0	4760.7	5157.5	5554.2	5950.9
3	6347.7	7141.1	7934.6	8728.0	9521.5	10314.9	11108.4	11901.9
4	12695.3	14282.2	15869.1	17456.1	19043.0	20629.9	22216.8	23803.7
5	25390.6	28564.5	31738.3	34912.1	38085.9	41259.8	44433.6	47607.4
6	50781.3	57128.9	63476.6	69824.2	76171.9	82519.5	88867.2	95214.8
7	101562.5	114257.8	126953.1	139648.4	152343.8	165039.1	177734.4	190429.7
8	203125.0	228515.6	253906.3	279296.9	304687.5	330078.1	355468.8	380859.4
9	406250.0	457031.3	507812.5	558593.8	609375.0	660156.3	710937.5	761718.8

For $f_{XO} = 26$ MHz

E/M	0	1	2	3	4	5	6	7
0	396.7	396.7	495.9	495.9	595.1	595.1	694.3	694.3
1	793.5	892.6	991.8	1091.0	1190.2	1289.4	1388.5	1487.7
2	1586.9	1785.3	1983.6	2182.0	2380.4	2578.7	2777.1	2975.5
3	3173.8	3570.6	3967.3	4364.0	4760.7	5157.5	5554.2	5950.9
4	6347.7	7141.1	7934.6	8728.0	9521.5	10314.9	11108.4	11901.9
5	12695.3	14282.2	15869.1	17456.1	19043.0	20629.9	22216.8	23803.7
6	25390.6	28564.5	31738.3	34912.1	38085.9	41259.8	44433.6	47607.4
7	50781.3	57128.9	63476.6	69824.2	76171.9	82519.5	88867.2	95214.8
8	101562.5	114257.8	126953.1	139648.4	152343.8	165039.1	177734.4	190429.7
9	203125.0	228515.6	253906.3	279296.9	304687.5	330078.1	355468.8	380859.4

With this solution the maximum deviation for the 26 MHz case is limited to about 355 kHz, but this is still acceptable since the maximum useful deviation is about 125 kHz (MSK @ 500 kbps).

In GFSK mode the Gaussian filter BT product can be set to 1 or 0.5 by the field BT_SEL of the MOD0 register.

In MSK mode, the frequency deviation is automatically set to ¼ of the data rate and the content of the FDEV register is ignored.

The calculation done inside the modem assumes that the digital clock is equal to the synthesizer reference. Hence, in the 52-MHz case the MSK can actually be configured by setting the frequency deviation to $\frac{1}{4}$ of the data rate through the FDEV registers as for normal 2-FSK. The same is true for GMSK mode, which can be configured by setting the frequency deviation to $\frac{1}{4}$ of the data rate through the FDEV registers as for normal GFSK with Gaussian filter BT equal to 1 or 0.5.

OOK and ASK

If MOD_TYPE = 2 and power ramping is enabled, then ASK is used; otherwise, if MOD_TYPE = 2 and power ramping is disabled, then OOK is used.

When OOK is selected, a bit '1' is transmitted with the power specified by PA_POWER[PA_LEVEL_MAX_INDEX], a bit '0' is transmitted with the power specified by PA_POWER[0] (normally set to PA off).

When ASK is selected, a bit '1' is transmitted with a power ramp increasing from PA_POWER[0] to PA_POWER[PA_LEVEL_MAX_INDEX], a bit '0' is transmitted with a power ramp decreasing from PA_POWER[PA_LEVEL_MAX_INDEX] to PA_POWER[0]. The duration of each power step is $\frac{1}{8}$ of the symbol time.

If more '1's are transmitted consecutively, the PA power remains at PA_POWER[PA_LEVEL_MAX_INDEX] for all '1's following the first one; if more '0's are transmitted consecutively, the PA power remains at PA_POWER[0] for all '0's following the first one.

CW mode

For test and measurement purposes the device can be programmed to generate a continuous wave carrier without any modulation by setting the CW field of the MOD0 register. In transmission, a TXSOURCE like PN9 should be configured to keep the transmitter in TX state for an undefined period of time. In reception, this mode can be also chosen to analyze the RX performance; in this case an infinite RX timeout should be configured to keep the SPIRIT1 in RX state.

9.5.1 Data rate

The data rate is controlled by the MOD0 and MOD1 registers according to the following formula:

Equation 11

$$\text{DataRate} = f_{\text{clk}} \cdot \frac{(256 + \text{DATA_RATE_M}) \cdot 2^{\text{DATARATE_E}}}{2^{28}}$$

where:

- DATARATE_M is an 8-bit integer ranging from 0 to 255
- DATARATE_E is a 4-bit integer ranging from 0 to 15
- f_{clk} is the digital clock frequency (typically 26 MHz).

The minimum data rate at $f_{\text{clk}} = 26$ MHz is about 25 Hz; the maximum data rate is about 1.6 MHz. Be advised that performance for such values is not guaranteed.

9.5.2 RX channel bandwidth

The bandwidth of the channel filter is controlled by the CHFLT_M and CHFLT_E fields of the CHFLT register according to tables below. The actual filter bandwidth for any digital clock frequency can be obtained by multiplying the values in the tables below by the factor $f_{clk}/26000000$.

Table 32. CHFLT_M and CHFLT_E value for channel filter bandwidth (in kHz, for $f_{clk} = 24$ MHz)

	E=0	E=1	E=2	E=3	E=4	E=5	E=6	E=7	E=8	E=9
M=0	738.6	416.2	207.4	103.7	51.8	25.8	12.9	6.5	3.2	1.7
M=1	733.9	393.1	196.1	98.0	48.9	24.5	12.3	6.1	3.0	1.6
M=2	709.3	372.2	185.6	92.8	46.3	23.2	11.6	5.8	2.9	1.5
M=3	680.1	351.5	175.4	87.7	43.8	21.9	11.0	5.4	2.8	1.4
M=4	650.9	334.2	166.8	83.4	41.6	20.9	10.4	5.2	2.6	1.3
M=5	619.3	315.4	157.5	78.7	39.3	19.7	9.8	4.9	2.5	1.2
M=6	592.9	300.4	149.9	75.0	37.5	18.7	9.3	4.7	2.3	1.2
M=7	541.6	271.8	135.8	67.8	33.9	17.0	8.5	4.2	2.1	1.1
M=8	499.8	249.5	124.6	62.3	31.1	15.6	7.8	3.9	1.9	1.0

Table 33. CHFLT_M and CHFLT_E value for channel filter bandwidth (in kHz, for $f_{clk} = 26$ MHz)

	E=0	E=1	E=2	E=3	E=4	E=5	E=6	E=7	E=8	E=9
M=0	800.1	450.9	224.7	112.3	56.1	28.0	14.0	7.0	3.5	1.8
M=1	795.1	425.9	212.4	106.2	53.0	26.5	13.3	6.6	3.3	1.7
M=2	768.4	403.2	201.1	100.5	50.2	25.1	12.6	6.3	3.1	1.6
M=3	736.8	380.8	190.0	95.0	47.4	23.7	11.9	5.9	3.0	1.5
M=4	705.1	362.1	180.7	90.3	45.1	22.6	11.3	5.6	2.8	1.4
M=5	670.9	341.7	170.6	85.3	42.6	21.3	10.6	5.3	2.7	1.3
M=6	642.3	325.4	162.4	81.2	40.6	20.3	10.1	5.1	2.5	1.3
M=7	586.7	294.5	147.1	73.5	36.7	18.4	9.2	4.6	2.3	1.2
M=8	541.4	270.3	135.0	67.5	33.7	16.9	8.4	4.2	2.1	1.1

Although the maximum TX signal BW should not exceed 750 kHz, the bandwidth of the channel select filter in the receiver may need some extra bandwidth to cope with tolerances in transmit and receive frequencies which depend on the tolerances of the used crystals.

9.6 Data coding and integrity check process

9.6.1 FEC

The device provides hardware support for error correction and detection.

Error correction can be either enabled or disabled according to link reliability and power consumption needs. Convolutional coding with a rate= $\frac{1}{2}$ and $k=4$ is applied on the payload and CRC before transmission (poly [13,17]). On the receiver side, error correction is performed using soft Viterbi decoding.

To further improve error correction performance, a data interleaver is used when convolutional coding is enabled. Data interleaving/de-interleaving is performed using a 4x4-bit matrix interleaver.

To fill the entire matrix, at least 2 bytes of data payload are required (16 cells). In the interleaver matrix, the encoded data bits are written along the rows and the sequence to send to the modulator is obtained by reading the matrix elements along the columns of the matrix. Consequently, in the de-interleaver, the received data from the demodulator are written into the matrix along the columns, and sent to the FEC decoder reading them from the rows of the de-interleaving matrix. Due to the size of the matrix, the overall data transmitted must be an exact integer multiple of two, to fill the rows and columns of the matrix. If necessary, the framer is able to add automatically extra bytes at the end of the packet, so the number of bytes is an number.

FEC and interleaving are enabled/disabled together.

To enable FEC/INTERL, the field `FEC_EN` of `PCKCTRL1` must be set to '1'. When FEC/INTERL is enabled, the number of transmitted bits is roughly doubled, hence the on-air packet duration in time is roughly doubled as well. The data rate specified in [Section 9.5.1](#) always applies to the on-air transmitted data.

A termination byte is automatically appended to set the encoder to the 0-state at the end of the packet.

9.6.2 CRC

Error detection is implemented by means of cyclic redundancy check codes.

The length of the checksum is programmable to 8, 16, or 24 bits.

The CRC can be added at the end of the packet by the field `CRC_MODE` of the register `PCKCTRL1`.

The following standard CRC polynomials can be selected:

- CRC mode = 1, 8 bits: the poly is $(0x07) X^8+X^2+X+1$
- CRC mode = 2, 16 bits: the poly is $(0x8005) X^{16}+X^{15}+X^2+1$
- CRC mode = 3, 16 bits: the poly is $(0x1021) X^{16}+X^{12}+X^5+1$
- CRC mode = 4, 24 bits: the poly is $(0x864CFB) X^{24}+X^{23}+X^{18}+X^{17}+X^{14}+X^{11}+X^{10}+X^7+X^6+X^5+X^4+X^3+X+1$
- CRC is calculated over all fields excluding preamble and SYNC word.

CRC is computed starting from an initial word with all bits set to 1. Bits reversion is not done.

9.6.3 Data whitening

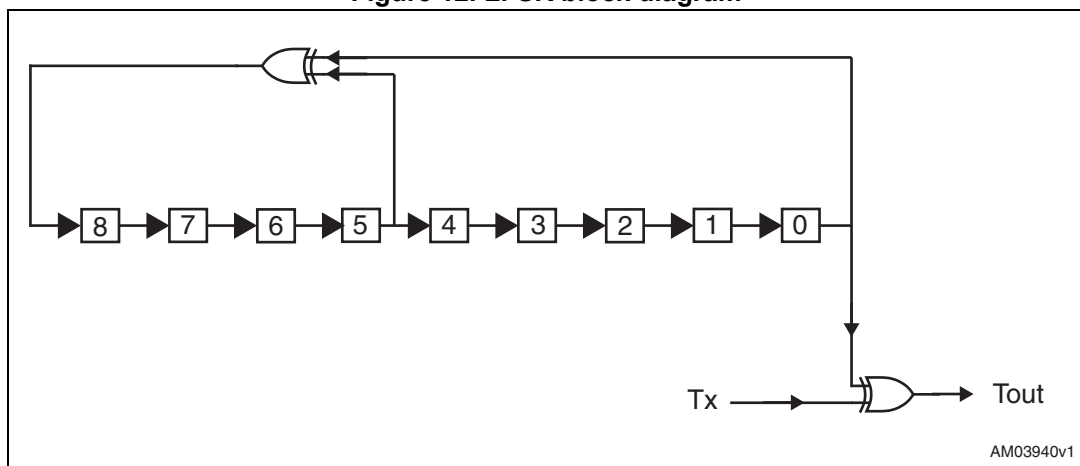
To prevent short repeating sequences (e.g., runs of 0's or 1's) that create spectral lines, which may complicate symbol tracking at the receiver or interfere with other transmissions, the device implements a data whitening feature. Data whitening can optionally be enabled by setting the field WHIT_EN of the PCKTCTRL1 register to '1'. Data whitening is implemented by a maximum length LFSR generating a pseudo-random binary sequence used to XOR data before entering the encoding chain. The length of the LSFR is set to 9 bits. The pseudo-random sequence is initialized to all 1's.

Data whitening, if enabled, is applied on all fields excluding the preamble and the SYNC words.

At the receiver end, the data are XOR-ed with the same pseudo-random sequence.

Whitening is applied according to the following LFSR implementation:

Figure 12. LFSR block diagram



It is recommended to always enable data whitening.

9.6.4 Data padding

If FEC is enabled then the total length of payload and CRC must be an even number (in order to completely fill up the interleaver). If not, a proper filling byte is automatically inserted in transmission and removed by the receiver. The total packet length is affected, and it is configured automatically enabling the FEC.

9.7 Packet handler engine

Before on-the-air transmission, raw data is properly cast into a packet structure. The SPIRIT1 offers a highly flexible and fully programmable packet; the structure of the packet, the number, the type, and the dimension of the fields inside the packet depend on one of the possible configuration settings. Through a suitable register the user can choose the packet configuration from three options: S-Stack, WM-Bus, and Basic.

The current packet format is set by the PCK_FRMT field of the PCKTCTRL3 register. In particular:

- 0 Basic packet format
- 2 MBUS packet format
- 3 STrack packet format.

The general packet parameters which can be set by the user are listed and described hereafter. Some particular restrictions are possible depending on the selected packet format.

9.7.1 STrack packet

1-32	1-4	0-16 bit	1	1	0-4	2 bit	1 bit	0-65535	0-3
Preamble	Sync	Length	Dest. address	Source address	Control	Seq. No.	NO_ACK	Payload	CRC

Preamble (programmable field): the length of the preamble is programmable from 1 to 32 bytes by the PREAMBLE_LENGTH field of the PCKTCTRL2 register. Each preamble byte is a '10101010' binary sequence.

Sync (programmable field): the length of the synchronization field is programmable (from 1 to 4 bytes) through dedicated registers. The SYNC word is programmable through registers SYNC1, SYNC2, SYNC3, and SYNC4. If the programmed sync length is 1 then only the SYNC1 word is transmitted; if the programmed sync length is 2 then only SYNC1 and SYNC2 words are transmitted and so on.

Length (programmable/optional field): the packet length field is an optional field that is defined as the cumulative length of Address (2 bytes always), Control, and Payload fields. It is possible to support fixed and variable packet length. In fixed mode, the field length is not used.

Destination address (programmable field): When the destination address filtering is enabled in the receiver, the packet handler engine compares the destination address field of the packet received with the value of register TX_SOURCE_ADDR. If broadcast address and/or multicast address filtering are enabled the packet handler engine compares the destination address with the programmed broadcast and/or multicast address.

Source address (programmable field): is filled with the value of register TX_SOURCE_ADDR. When source address filtering is enabled in the receiver, the packet handler engine compares the source address received with the programmed source address reference using the source mask address programmed.

The field ADDRESS_LEN of the PCKTCTRL4 register must be set always to 2.

Control (programmable/optional field): is programmable from 0 to 4 bytes through the CONTROL_LEN field of the PCKTCTRL4 register. Control fields of the packet can be set using the TX_CTRL_FIELD[3:0] register.

Sequence number (programmable field): is a 2-bit field and contains the sequence number of the transmitted packet. It is incremented automatically every time a new packet is transmitted. It can be re-loaded with the value in the TX_SEQ_NUM_RELOAD[1:0] field of the PROTOCOL[2] register, by using the SEQUENCE_UPDATE command.

NO_ACK (programmable field): 1 means for the receiver that the packet is not to be auto-acknowledged. It is programmed by the bit field NACK_TX of the register PROTOCOL[2]. It is important set to 0 this bit field in any other packet format.

Payload (programmable/optional field): the device supports both fixed and variable payload length transmission from 0 to 65535 bytes.

On the transmitter, the payload length is always set as: $PCKTLEN1 \times 256 + PCKTLEN0$.

On the receiver, if the field FIX_VAR_LEN of the PCKTCTRL2 register is set to 1, the payload length is directly extracted from the received packet itself; if FIX_VAR_LEN is set to 0, the payload length is controlled by the PCKTLEN0 and PCKTLEN1 registers as the transmitter.

In variable length mode, the width of the binary field transmitted, where the actual length of payload is written, can be configured through the field LEN_WIDTH of the PCKTCTRL3 register according to the maximum length expected in the specific application.

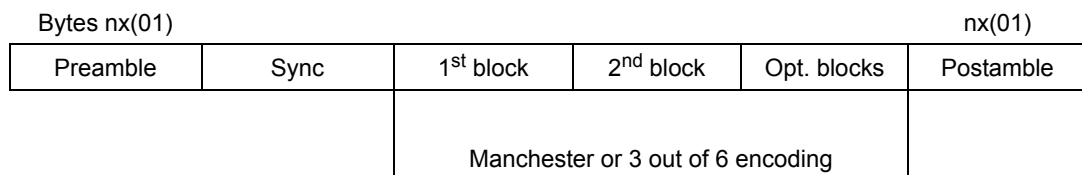
Example 1

- If the variable payload length is from 0 to 31 bytes, then the length width should be 5 bits, thus the field LEN_WIDTH = 4
- If the variable payload length is from 0 to 255 bytes, then the length width should be 8 bits, thus the field LEN_WIDTH = 7
- If the variable payload length is from 0 to 65535 bytes, then the length width should be 16 bits, thus the field LEN_WIDTH = 15.

CRC (programmable/optional field): There are different polynomials CRC: 8 bits, 16 bits (2 polynomials are available) and 24 bits. When CRC automatic filtering is enabled, the received packet is discarded automatically when CRC check fails.

9.7.2 Wireless M-Bus packet (W M-BUS, EN13757-4)

The WM-BUS packet structure is shown in the figure below (refer to EN13757 for details about sub-mode specific radio setting).



The preamble consists of a number of chip sequences '01' whose length depends on the chosen sub-mode according to EN13757-4. The length can be programmed using the MBUS_PRMBL_CTRL, from a minimum to a maximum dictated from the standard specification.

1st block, 2nd block, and optional blocks: can be defined by the user. The packet handler engine uses the Manchester or the "3 out of 6" encoding for all the blocks according to the defined sub-mode.

The postamble consists of a number of chip sequences '01' whose length depends on the chosen sub-mode according to EN13757-4. The length can be programmed using the MBUS_PSTMBL_CTRL, from a minimum to a maximum dictated from the standard specification.

The sub-mode can be chosen setting the MBUS_SUBMODE[2:0] field of the MBUS_CTRL register. There are 5 possible cases:

- Submode S1, S2 (long header) (MBUS_SUBMODE=0):
 - Header length = MBUS_PRMBL_CTRL + 279 (in '01' bit pairs)
 - Sync word = 0x7696 (length 18 bits)
- Submode S1-m, S2, T2 (other to meter) (MBUS_SUBMODE =1):
 - Header length = MBUS_PRMBL_CTRL + 15 (in '01' bit pairs)
 - Sync word = 0x7696 (length 18 bits)
- Submode T1, T2 (meter to other) (MBUS_SUBMODE =3):
 - Header length = MBUS_PRMBL_CTRL + 19 (in '01' bit pairs)
 - Sync word = 0x3D (length 10 bits)
- Submode R2, short header (MBUS_SUBMODE =5):
 - Header length = MBUS_PRMBL_CTRL + 39 (in '01' bit pairs)
 - Sync word = 0x7696 (length 18 bits).
- Submode N1, N2, short header:
 - Header length = 8 (in '01' bit pairs)
 - Sync word = 0xF68D (length 18 bits).

9.7.3 Basic packet

1-32	1-4	0-16 bit	0-1	0-4	0-65535	0-3
Preamble	Sync	Length	Address	Control	Payload	CRC

Preamble (programmable field): the length of the preamble is programmable from 1 to 32 bytes by the PREAMBLE_LENGTH field of the PCKTCTRL2 register. Each preamble byte is a '10101010' binary sequence.

Sync (programmable field): the length of the synchronization field is programmable (from 1 to 4 bytes) through dedicated registers. The SYNC word is programmable through registers SYNC1, SYNC2, SYNC3, and SYNC4. If the programmed sync length is 1, then only SYNC word is transmitted; if the programmed sync length is 2 then only SYNC1 and SYNC2 words are transmitted and so on.

Length (programmable/optional field): the packet length field is an optional field that is defined as the cumulative length of Address, Control, and Payload fields. It is possible to support fixed and variable packet length. In fixed mode, the field length is not used.

Destination address (programmable/optional field): when the destination address filtering is enabled in the receiver, the packet handler engine compares the destination address field of the packet received with the value of register TX_SOURCE_ADDR. If broadcast address and/or multicast address filtering are enabled, the packet handler engine compares the destination address with the programmed broadcast and/or multicast address.

Control (programmable/optional field): is programmable from 0 to 4 bytes through the CONTROL_LEN field of the PCKTCTRL4 register. Control fields of the packet can be set using the TX_CTRL_FIELD[3:0] register.

Payload (programmable/optional field): the device supports both fixed and variable payload length transmission from 0 to 65535 bytes.

On the transmitter, the payload length is always set as: $PCKTLEN1 \times 256 + PCKTLEN0$.

On the receiver, if the field `FIX_VAR_LEN` of `PCKTCTRL2` register is set to 1, the payload length is directly extracted from the received packet itself; if `FIX_VAR_LEN` is set to 0, the payload length is controlled by the `PCKTLEN0` and `PCKTLEN1` registers as the transmitter.

Furthermore, in variable length mode, the width of the binary field transmitted, where the actual length of payload is written, must be configured through the field `LEN_WIDTH` of the `PCKTCTRL3` register according to the maximum length expected in the specific application.

Example 1

- If the variable payload length is from 0 to 31 bytes, the length width should be 5 bits, thus the field `LEN_WIDTH = 4`
- If the variable payload length is from 0 to 255 bytes, the length width should be 8 bits, thus the field `LEN_WIDTH = 7`
- If the variable payload length is from 0 to 65535 bytes, the length width should be 16 bits, thus the field `LEN_WIDTH = 15`.

CRC (programmable/optional field): There are different polynomials CRC: 8 bits, 16 bits (2 polynomials are available) and 24 bits. When the CRC automatic filtering is enabled, the received packet is discarded automatically when the CRC check fails.

9.7.4 Automatic packet filtering

The following filtering criteria to automatically reject a received packet are supported:

- CRC filtering
- Destination address filtering
- Source address filtering
- Control field filtering.

Packet filtering is enabled by the `AUTO_PCKT_FLT` field of the `PROTOCOL` register and the filtering criteria can be controlled by the `PCK_FLT_OPT` and `PCK_FLT_GOALS` registers.

Each filtering option works on the correct packet format according to [Table 34](#).

- **CRC**: the received packet is discarded if CRC is not passed. To enable this automatic filtering feature the bit field `CRC_CHECK` of the `PCK_FLT_OPT` register must be set.
- **Destination address**: this automatic filtering feature works on my address, broadcast address and/or multicast address of the receiver.
 - **Destination vs. my address**: the received packet is discarded if the destination address received does not match the programmed my address of the receiver. My address can be programmed for the receiver in the `TX_SOURCE_ADDR` register. To enable this automatic filtering option the bitfield `DEST_VS_SOURCE_ADDR` of the `PCKT_FLT_OPTIONS` register must be set.
 - **Destination vs. broadcast address**: the received packet is discarded if the destination address received does not match the programmed broadcast address of the receiver. The broadcast address can be programmed for the receiver in the `BROADCAST` register. To enable this automatic filtering option the bitfield `DEST_VS_BROADCAST_ADDR` of the `PCKT_FLT_OPTIONS` register must be set.
 - **Destination vs. multicast address**: the received packet is discarded if the destination address received does not match the programmed multicast address

of the receiver. The multicast address can be programmed for the receiver in the MULTICAST register. To enable this automatic filtering option the bitfield DEST_VS_MULTICAST_ADDR of the PCKT_FLT_OPTIONS register must be set.

More than one automatic filtering option can be enabled at the same time.

Source address: the received packet is discarded if the source address received does not match the programmed source address reference through the source mask address (the reference value used for the comparison is the reference one in AND bitwise with the source mask). The source address reference can be programmed for the receiver in the RX_SOURCE_ADDR register and the source address mask in the RX_SOURCE_MASK register. To enable this automatic filtering option the bitfield SOURCE_FILTERING of the PCKT_FLT_OPTIONS register must be set.

Control: the received packet is discarded if the control field received does not match the programmed control reference through the control mask (the reference value used for the comparison is the reference one in AND bitwise with the control mask). The control reference can be programmed for the receiver in the CONTROLx_FIELD registers and the control field mask in the CONTROLx_MASK registers. To enable this automatic filtering option the bitfield CONTROL_FILTERING of the PCKT_FLT_OPTIONS register must be set.

Table 34. Packet configuration

	STack	MBUS	Basic
Destination address filtering	Optional	No	Optional
Broadcast and multicast addressing	Optional	No	Optional
Source address filtering	Optional	No	No
Custom filtering	Optional	No	Optional
CRC filtering	Optional	No	Optional

When a filtering mechanism is enabled the packet is signaled to the MCU only if the check is positive, otherwise the packet is automatically discarded.

9.7.5 Link layer protocol

SPIRIT1 has an embedded auto-ACK and auto-retransmission available through the STack packet format.

Automatic acknowledgment

Automatic acknowledgment is enabled on the receiver by setting the bitfield AUTO_ACK of the PROTOCOL register. In this way, after the receiver receives a packet with success, it sends an ACK packet only if the NO_ACK bit of the received packet is 1. This gives an opportunity for the transmitter to tell the receiver if the packet sent must be acknowledged or not. The ACK request can be put in the packet (NO_ACK packet's bitfield at 1) by setting the NACK_TX field of the PROTOCOL[2] register.

If the ACK request is ON (NO_ACK packet's bitfield at 1), the transmitter stays in RX state to receive an ACK packet until the RX timeout, programmed with the RX_TIMEOUT_PRESCALER and RX_TIMEOUT_COUNTER, expires.

If the transmitter does not receive any ACK packet when it must, the packet transmitted is considered lost, and the TX_DATA_SENT in the IRQ_STATUS register remains at 0.

Automatic acknowledgment with piggybacking

The receiver can fill the ACK packet with data. To do so, the receiver must fill the TX FIFO with the payload it must transmit and the bitfield PIGGYBACKING of PROTOCOL[1] register must be set.

With the automatic acknowledgement enabled, the TX strobe is not supported and must not be sent.

Automatic retransmission

If the transmitter does not receive the ACK packet, it can be configured to do another transmission. This operation can be repeated up to 15 times. To configure how many times this operation must be performed, the field NMAX_RETX of the PROTOCOL[2] register is used.

With the automatic retransmission enabled the RX strobe is not supported and must not be sent.

Using the automatic retransmission the payload must be loaded into the TX FIFO register with a single write FIFO operation in READY state.

9.8 Data modes

Direct modes are primarily intended to completely bypass all the framer/deframer operations, in order to give the user maximum flexibility in the choice of frame formats, controlled by the field TXSOURCE of the PCKTCTRL1 register. In particular:

TXSOURCE =

- 0 - normal modes
- 1 - direct through FIFO: the packet is written in TX FIFO. The user builds the packet according to his need including preamble, payload and so on. The data are transmitted without any processing.
- 2 - direct through GPIO: the packet bits are continuously read from one of the GPIO pins, properly configured, and transmitted without any processing. To allow the synchronization of an external data source, a data clock signal is also provided on one of the GPIO pins. Data are sampled by the device on the rising edge of such clock signal; it is the responsibility of the external data source to provide a stable input at this edge.
- 3 - PN9 mode: a pseudo-random binary sequence is generated internally. This mode is provided for test purposes only.

To improve flexibility, the entire packet related functions can be bypassed and the device can operate in one of the following direct modes, controlled by the field RXMODE of PCKTCTRL3. In particular:

RXMODE =

- 0 - normal modes
- 1 - direct through FIFO: the packet bytes are continuously received and written to the RX FIFO without any processing. It is the responsibility of the microcontroller to avoid any overflow conditions on the RX FIFO.
- 2 - direct through GPIO: the packet bits are continuously written to one of the GPIO pins without any processing. To allow the synchronization of an external data sink, a data clock signal is also provided on one of the GPIO pins. Data are updated by the device on the falling edge of such clock signal so the MCU must read it during falling edge of CLK.

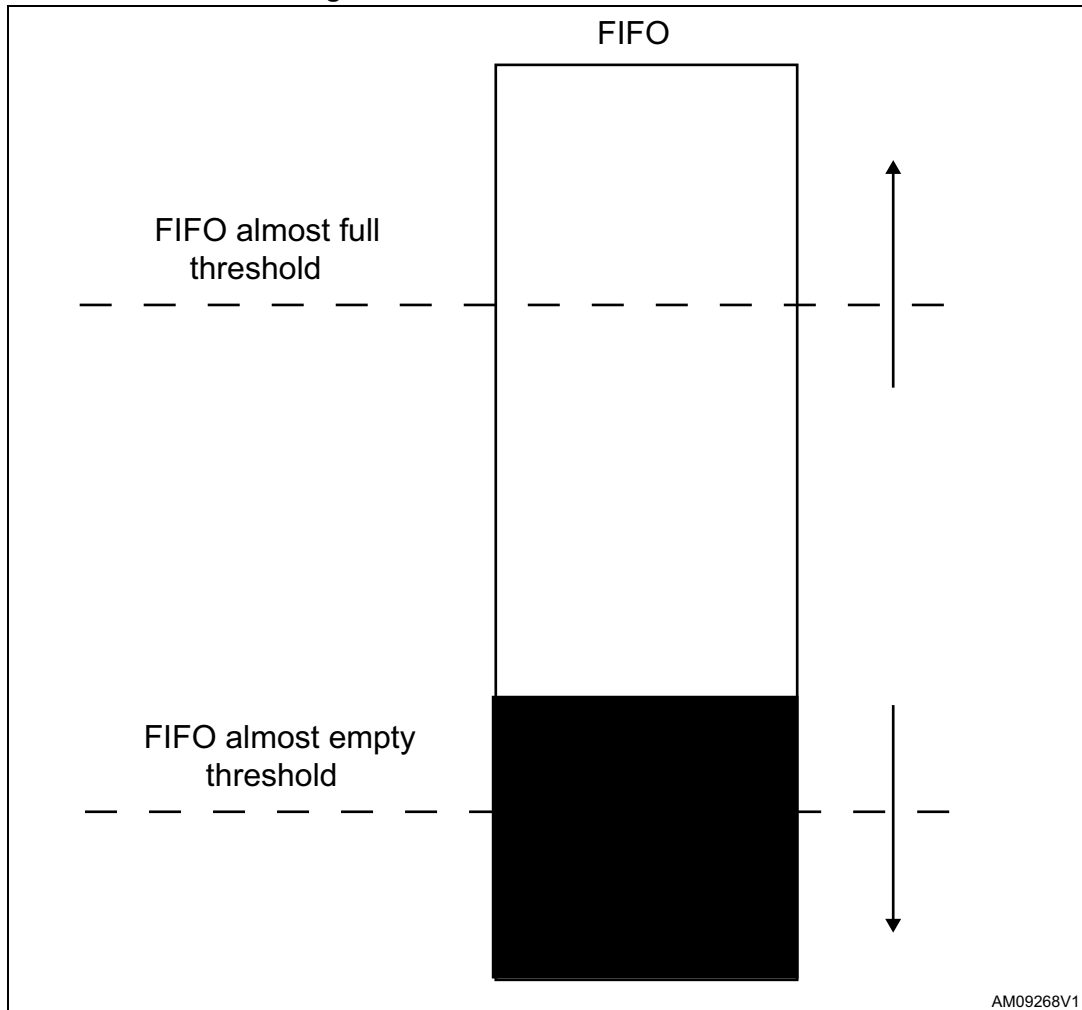
9.9 Data FIFO

In the SPIRIT1 there are two data FIFOs, a TX FIFO for data to be transmitted and an RX FIFO for the received data.

The length of both FIFOs is 96 bytes.

The SPI interface is used to read from the RX FIFO and write to the TX FIFO (see [Figure 13](#)) starting from the address 0xFF.

Figure 13. Threshold of the linear FIFO



The FIFO has two programmable thresholds: FIFO almost full and FIFO almost empty.

The FIFO almost full event occurs when the data crosses the threshold from below to above. The TX FIFO almost empty threshold can be configured using the field TXAETHR in the FIFO_CONFIG[0] register. The RX FIFO almost empty threshold can be configured using the field RXAETHR in the FIFO_CONFIG[2] register.

The FIFO almost empty event occurs when the data crosses the threshold from above to below. The TX FIFO almost full threshold can be configured using the field TXAFTHR in the FIFO_CONFIG[1] register. The RX FIFO almost full threshold can be configured using the field RXAFTHR in the FIFO_CONFIG[3] register.

Another event occurs when the FIFO goes into overflow or underflow.

The overflow happens when the data in the FIFO are more than 96 bytes. The underflow happens when the SPIRIT1 accesses the FIFO locations to read data, but there is no data present.

For example:

- If it reads from the RX FIFO more data than the actual number of bytes in it, the RX FIFO underflow/overflow error occurs for an underflow event.
- If the SPIRIT1 receives a lot of data to fill the RX FIFO and exceeds the 96 bytes limit, an RX FIFO underflow/overflow error occurs for an overflow event.
- If it sends more data than the actual number of bytes in the TX FIFO, the TX FIFO underflow/overflow error occurs for an underflow event.
- If it writes more than 96 bytes in the TX FIFO, a TX FIFO underflow/overflow error occurs for an overflow event.

An easy way to clean the FIFOs is to use the flush commands: FLUSHTXFIFO for the TX FIFO and FLUSHRXFIFO for the RX FIFO.

The write TX FIFO operation needs an extra SPI transaction to write correctly the last byte into the TX FIFO. Usually, this last SPI transaction is generated from the TX command sent to transmit the data, otherwise a dummy SPI transaction must be done.

Using the auto-retransmission feature of the SPIRIT1 (packet format STack), if the packet is more than 96 bytes, the packet must be reloaded into the TX FIFO by the MCU. However, if the payload is 96 bytes or less, the SPIRIT1 handles the payload and it is not necessary to reload the data into the TX FIFO at each retransmission.

- In addition, if the transmitter does not receive the ACK packet, the payload remains in the TX FIFO. The user can decide to clean the TX FIFO or re-send the data again. If the payload is more than 96 bytes, only the last part of the payload that fits the TX FIFO remains in it.

9.10 Receiver quality indicators

The following quality indicators are associated to the received signal:

- Received signal strength indicator (RSSI)
- Preamble quality indicator (PQI)
- Synchronization quality indicator (SQI).

9.10.1 RSSI

The received signal strength indicator (RSSI) is a measurement of the received signal power at the antenna measured in the channel filter bandwidth.

RSSI reading is available after the reception of a packet in the RSSI_LEVEL register. The measured power is reported in steps of 0.5 dB according to the following formula:

$$\text{RSSI} = \text{RSSI_LEVEL}/2 - 130$$

The RSSI value is updated in the RSSI_LEVEL register when the SPIRIT1 exits from the RX state by SABORT command, RX timeout expiration or at the SYNC word detected event.

9.10.2 Carrier sense

The carrier sense functionality can be used to detect if any signal is being received, the detection is based on the measured RSSI value. There are 2 operational modes for carrier sensing: static and dynamic.

When static carrier sensing is used (CS_MODE = 0), the carrier sense signal is asserted when the measured RSSI is above the value specified in the RSSI_TH register and is de-asserted when the RSSI falls 3 dB below the same threshold.

When dynamic carrier sense is used (CS_MODE = 1, 2, 3), the carrier sense signal is asserted if the signal is above the threshold and a fast power increase of 6, 12, or 18 dB is detected; it is de-asserted if a power fall of the same amplitude is detected.

The carrier sense signal is also used internally for the demodulator to start the AFC and symbol timing recovery algorithms and for the CSMA procedure (for this use it should be set to CS_MODE = 0).

The carrier sense function is controlled by the following parameters:

RSSI threshold: When the RSSI threshold is exceeded, the AFC and the symbol timing recovery algorithm start to work with the stream of data. To maximize the sensitivity, the RSSI threshold should be set around 3 dB below the expected sensitivity level. The RSSI_TH register and the effective RSSI threshold value are linked by the following formula:

$$\text{RSSI_TH} = 2 \cdot (\text{RSSI_threshold_dBm} + 130)$$

CS mode: this parameter controls the carrier sense operational modes (RSSI_FLT register, allowed values 0...3):

- CS_MODE = 0 static carrier sensing
- CS_MODE = 1 dynamic carrier sensing with 6 dB dynamic threshold
- CS_MODE = 2 dynamic carrier sensing with 12 dB dynamic threshold
- CS_MODE = 3 dynamic carrier sensing with 18 dB dynamic threshold.

9.10.3 PQI

The preamble quality indicator (PQI) is intended to provide a measurement of the reliability of the preamble detection phase.

This indicator counts the number of consecutive bit inversions in the received data stream. The PQI ranges from 0 to 255. It is increased by 1 every time a bit inversion occurs, while it is decreased by 4 every time a bit repetition occurs.

It is possible to set a preamble quality threshold in such a way that, if PQI is below the threshold, the packet demodulation is automatically aborted at/after a timeout after the start of RX.

If the preamble quality indicator check is enabled (field PQI_EN of the QI register set to '1'), the running peak PQI is compared to a threshold value and the preamble valid IRQ is asserted as soon as the threshold is passed. The preamble quality threshold is $4 \times \text{PQI_TH}$ (PQI_TH = 0...15).

9.10.4 SQI

The synchronization quality indicator (SQI) is a measurement of the best correlation between the received SYNC word and the expected one. The value representing a perfect match is $8 \times \text{SYNC_LENGTH}$.

This indicator is calculated as the peak cross-correlation between the received data stream and the expected SYNC word.

It is possible to set a synchronization quality threshold in such a way that, if SQI is below the threshold, the packet demodulation is automatically aborted.

If the synchronization quality indicator check is enabled (field `SQI_EN` of the QI register set to '1'), the running peak SQI is compared to a threshold value and the sync valid IRQ is asserted as soon as the threshold is passed. The sync quality threshold is equal to $8 \times \text{SYNC_LEN} - 2 \times \text{SQI_TH}$ with `SQI_TH = 0..3`. When `SQI_TH` is 0, a perfect match is required; when `SQI_TH = 1, 2, 3` then 1, 2, or 3-bit errors are respectively accepted.

It is recommended to always enable the SQI check.

RX timeout mechanism

In order to reduce power consumption, a few automatic RX timeout modes are supported. RX timeout applies both to normal receive mode and to the LDCR mode.

Infinite timeout: in this mode RX is stopped when the packet ends or the SABORT command strobe is issued (default).

Carrier sense timeout: RX is aborted if the RSSI never exceeds a programmed threshold within RX timeout.

SQI timeout: in this mode RX is aborted if the synchronization quality indicator (SQI) never exceeds a programmed threshold within RX timeout.

PQI timeout: in this mode RX is aborted if the preamble quality indicator (PQI) never exceeds a programmed threshold within RX timeout.

The value of RX timeout can be programmed ranging from $\sim 1 \mu\text{s}$ to $\sim 3 \text{ sec}$.

9.11 Antenna diversity

The device implements a switching based antenna diversity algorithm. The switching decision is based on a comparison between the received power level on antenna 1 and antenna 2 during the preamble reception.

The antenna switching function allows to control an external switch in order to select the antenna providing the highest measured RSSI.

When antenna switching is enabled, the two antennas are repeatedly switched during the reception of the preamble of each packet, until the carrier sense threshold is reached^(c) (static carrier sense mode must be used). From this point on, the antenna with the highest power is selected and switching is frozen. The switch control signal is available on GPIO and in the `MC_STATE[1]` register.

c. The user should make sure to provide a preamble sufficiently long to allow the algorithm to choose the final antenna.

The algorithm is controlled by the following parameters:

- AS_MEAS_TIME: this parameter controls the time interval for RSSI measurement (ANT_SELECT_CONF register, allowed values 0...7). The actual measurement time is:

Equation 12

$$T_{\text{meas}} = \frac{24 \cdot 2^{\text{CHFLT_E}} \cdot 2^{\text{AS_meas_time}}}{f_{\text{XO}}}$$

- AS_ENABLE: this parameter enables the antenna switching function (ANT_SELECT_CONF register: 0: disabled; 1: enabled).

The GPIOx to be used as antenna switch should be independently configured through the GPIO_CONFx register (see [Table 37: Digital outputs](#) for details).

9.12 Frequency hopping

In order to ensure good link reliability in an interference corrupted scenario, the device supports frequency hopping, managed by the MCU; in particular, the SPIRIT1 supports slow frequency hopping, meaning that the systems change frequency at a rate slower than the information rate.

Depending on the desired blanking interval (the time during a hop), frequency hopping can be done by performing the complete PLL calibration for each channel hop, or reading in the suitable register calibration data calculated at startup and stored in the non-volatile memory of the MCU. The former solution gives a long blanking interval but is more robust compared with supply voltage and temperature variation. The latter provides a shorter blanking time but is sensitive to voltage and temperature variation and requires memory space to store calibration data for each channel involved in hopping.

10 MCU interface

Communication with the MCU goes through a standard 4-wire SPI interface and 4 GPIOs. The device is able to provide a system clock signal to the MCU.

MCU performs the following operations:

- Program the SPIRIT1 in different operating modes by sending commands
- Read and write buffered data, and status information from the SPI
- Get interrupt requests from the GPIO pins
- Apply external signals to the GPIO pins.

10.1 Serial peripheral interface

The SPIRIT1 is configured by a 4-wire SPI-compatible interface (CSn, SCLK, MOSI, and MISO). More specifically:

- CSn: chip select, active low
- SCLK: bit clock
- MOSI: data from MCU to SPIRIT1 (SPIRIT1 is the slave)
- MISO: data from SPIRIT1 to MCU (MCU is the master).

As the MCU is the master, it always drives the CSn and SCLK. According to the active SCLK polarity and phase, the SPIRIT1 SPI can be classified as mode 1 (CPOL=0, CPHA=0), which means that the base value of SCLK is zero, data are read on the clock's rising edge and data are changed on the clock's falling edge. The MISO is in tri-state mode when CSn is high. All transfers are done most significant bit first.

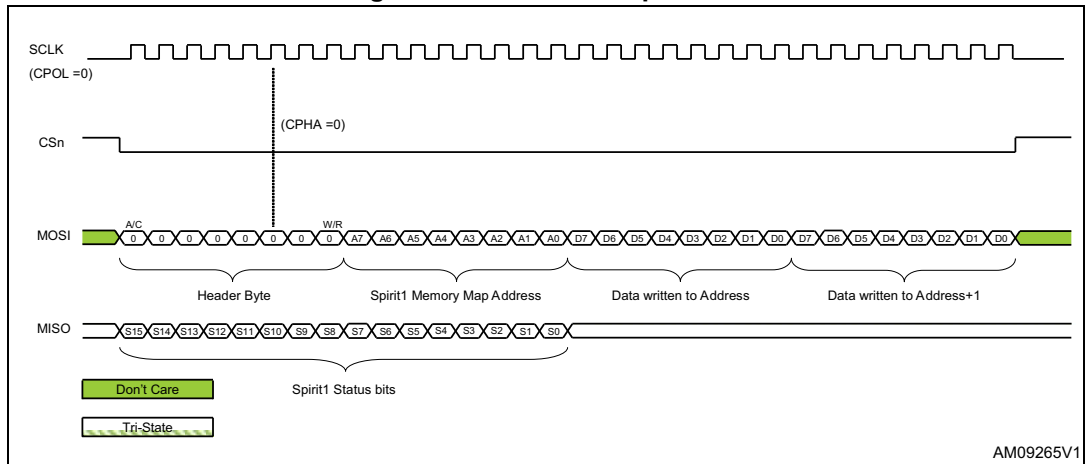
The SPI can be used to perform the following operations:

- Write data (to registers or FIFO queue)
- Read data (from registers or FIFO queue)
- Write commands.

The SPI communication is supported in all the active states, and also during the low power state: STANDBY and SLEEP (see [Table 20: States](#)).

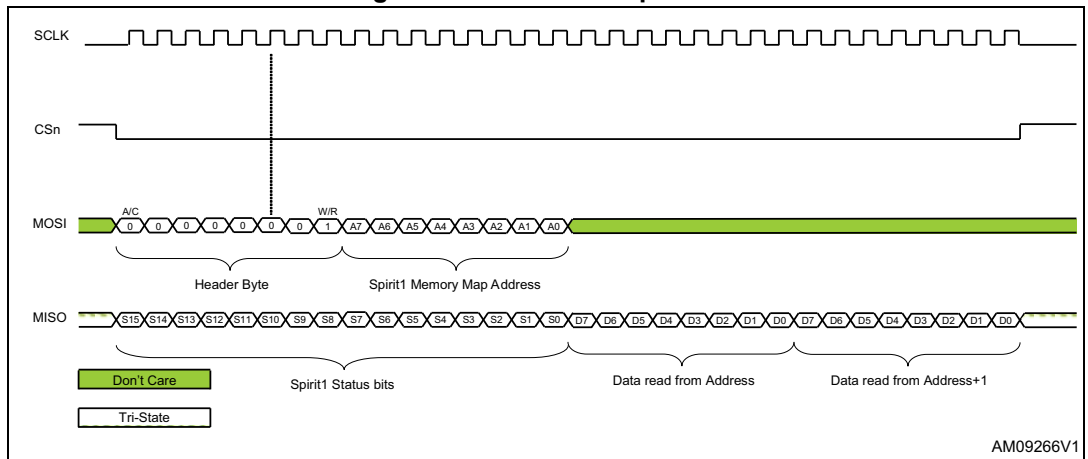
When accessing the SPI interface, the two status bytes of the MC_STATE[1:0] registers are sent to the MISO pin. The timing diagrams of the three operations above are reported below.

Figure 14. SPI “write” operation



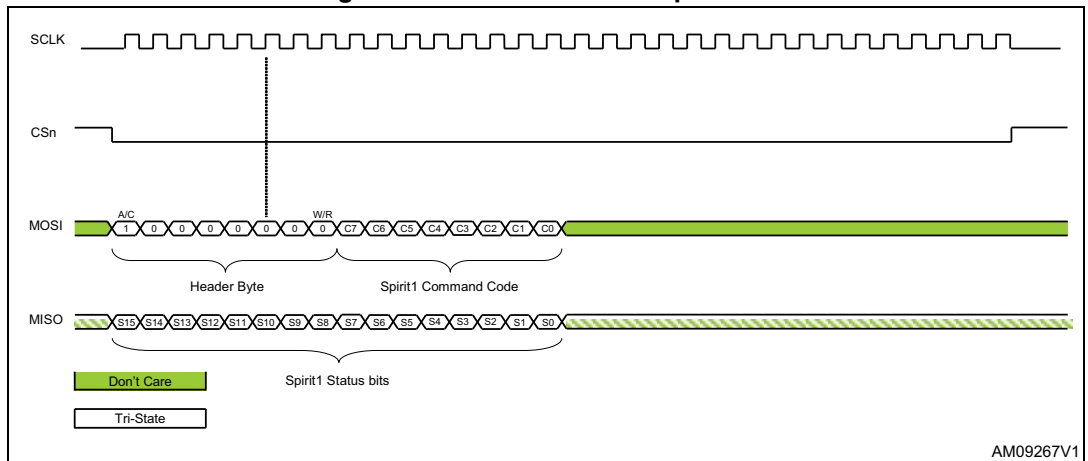
AM09265V1

Figure 15. SPI “read” operation



AM09266V1

Figure 16. SPI “command” operation



AM09267V1

Concerning the first byte, the MSB is an A/C bit (Address/Commands: 0 indicates that the following byte is an address, 1 indicates that the following byte is a command code), while the LSB is a W/R bit (Write/Read: 1 indicates a read operation). All other bits must be zero.

Read and write operations are persistently executed while CSn is kept active (low), the address being automatically incremented (burst mode).

Accessing the FIFO is done as usual with the read and write commands, by putting, as the address, the code 0xFF. Burst mode is available to access the sequence of bytes in the FIFO. Clearly, RX-FIFO is accessed with a read operation, TX-FIFO with a write operation.

Details of the SPI parameters are reported below.

Table 35. SPI interface timing requirements

Symbol	Parameter	Min.	Max.	Unit
f_{SCLK}	SCLK frequency		10	MHz
t_{sp}	CSn low to positive edge on SCLK	2		μ s

10.2 Interrupts

In order to notify the MCU of a certain number of events an interrupt signal is generated on a selectable GPIO. The following events trigger an interrupt to the MCU:

Table 36. Interrupts

Bit	Events group	Interrupt event
0	Packet oriented	RX data ready
1		RX data discarded (upon filtering)
2		TX data sent
3		Max. re-TX reached
4		CRC error
5		TX FIFO underflow/overflow error
6		RX FIFO underflow/overflow error
7		TX FIFO almost full
8		TX FIFO almost empty
9		RX FIFO almost full
10		RX FIFO almost empty
11		Max. number of backoff during CCA
12	Signal quality related	Valid preamble detected
13		Sync word detected
14		RSSI above threshold (carrier sense)

Table 36. Interrupts (continued)

Bit	Events group	Interrupt event
15	Device status related	Wake-up timeout in LDCR mode ⁽¹⁾
16		READY ⁽²⁾
17		STANDBY state switching in progress
18		Low battery level
19		Power-on reset
20		Brownout event
21		LOCK
29	Timer related	RX operation timeout
30	Others	AES end-of-operation

1. The interrupt flag n.15 is set (and consequently the interrupt request) only when the XO clock is available for the state machine. This time may be delayed compared to the actual timer expiration. However, the real time event can be sensed putting the end-of-counting signal on a GPIO output.
2. The interrupt flag n.16 is set each time the SPIRIT1 goes to READY state and the XO has completed its setting transient (XO ready condition detected).

All interrupts are reported on a set of interrupt status registers and are individually maskable. The interrupt status register must be cleared upon a read event from the MCU.

The status of all the interrupts is reported on the IRQ_STATUS[3:0] registers: bits are high for the events that have generated any interrupts. The interrupts are individually maskable using the IRQ_MASK[3:0] registers: if the mask bit related to a particular event is programmed at 0, that event does not generate any interrupt request.

10.3 GPIOs

The total number of GPIO pins is 4. Each pin is individually configurable.

Digital outputs can be selected from the following (see GPIOx_CONF register):

Table 37. Digital outputs

I/O selection	Output signal
0	nIRQ (interrupt request, active low)
1	POR inverted (active low)
2	Wake-up timer expiration: '1' when WUT has expired
3	Low battery detection: '1' when battery is below threshold setting
4	TX data internal clock output (TX data are sampled on the rising edge of it)
5	TX state indication: '1' when the SPIRIT1 is transiting in the TX state
6	TX FIFO almost empty flag
7	TX FIFO almost full flag
8	RX data output

Table 37. Digital outputs (continued)

I/O selection	Output signal
9	RX clock output (recovered from received data)
10	RX state indication: '1' when SPIRIT1 is transiting in the RX state
11	RX FIFO almost full flag
12	RX FIFO almost empty flag
13	Antenna switch used for antenna diversity
14	Valid preamble detected flag
15	Sync word detected flag
16	RSSI above threshold (same indication as bit CS in the LINK_QUALIF[1] register)
17	MCU clock
18	TX or RX mode indicator (to enable an external range extender)
19	VDD (to emulate an additional GPIO of the MCU, programmable by SPI)
20	GND (to emulate an additional GPIO of the MCU, programmable by SPI)
21	External SMPS enable signal (active high)
22	Device in SLEEP or STANDBY states
23	Device not in SLEEP and not in STANDBY states
24	Device in LOCK state
25	Device waiting for a high level of the lock-detector output signal
26	Device waiting for timer expiration before starting to sample the lock-detector output signal
27	Device waiting for a high level of the READY2 signal from XO
28	Device waiting for timer expiration to allow PM block settling
29	Device waiting for end of VCO calibration
30	Device enables the full circuitry of the SYNTH block
31	Device waiting for a high level of the RCCAL_OK signal from the RCO calibrator

All interrupts are reported on a set of interrupt status registers and are individually maskable. The interrupt status register must be cleared upon a read event from the MCU.

The status of all the interrupts is reported on the IRQ_STATUS[3:0] registers: bits are high for the events that have generated any interrupts. The interrupts are individually maskable using the IRQ_MASK[3:0] registers: if the mask bit related to a particular event is programmed at 0, that event does not generate any interrupt request.

Digital inputs can be selected from the following (see GPIOx_CONF register):

Table 38. Digital inputs

I/O selection	Input signal
0	1 >> TX command
1	1 >> RX command
2	TX data input for direct modulation
3	Wake-up from external input (sensor output)
4	External clock @ 34.7 kHz (used for LDC modes timing)
From 5 to 31	Not used

The only available analog output is the temperature sensor, see [Section 8.12](#).

10.4 MCU clock

SPIRIT1 can directly provide the system clock to the MCU in order to avoid the use of an additional crystal. The clock signals for the MCU can be available on the GPIO pins. The source oscillator can be the internal RCO or the XO depending on the active state. When XO is active, it is the source clock (the RCO is not available in this condition).

In addition, different ratios are available and programmable through the MCU_CK_CONF configuration register, as described in [Table 39](#).

Table 39. MCU_CK_CONF configuration register

MCU_CK_CONF[4:0]		Clock source	Division ratio
XO_RATIO	RCO_RATIO		
Don't care	0	RCO	1
	1		1/128
0	Don't care	XO	1
1			2/3
2			1/2
3			1/3
4			1/4
5			1/6
6			1/8
7			1/12
8			1/16
9			1/24
10			1/36
11			1/48
12			1/64

Table 39. MCU_CK_CONF configuration register (continued)

MCU_CK_CONF[4:0]		Clock source	Division ratio
XO_RATIO	RCO_RATIO		
13			1/96
14			1/128
15			1/192

In STANDBY state, no oscillator is available as the clock source. In order to allow the MCU to better handle this event, and avoid a potential dead state situation, a dedicated procedure is forecasted when the SPIRIT1 enters STANDBY state. A few extra clock cycles can be provided to the MCU before actually stopping the clock (an interrupt is generated to notify the MCU of this event).

The number of extra cycles can be programmed through the MCU_CK_CONF configuration register to 0, 64, 256, or 512. The MCU can make use of these cycles to prepare to standby or to switch on any auxiliary clock generator. The maximum transition time from READY to STANDBY is then:

Equation 13

$$\Delta T_{\text{READY STANDBY}} = \frac{1}{f_{\text{clk}}} \cdot \frac{512}{1/192} = \frac{98304}{f_{\text{clk}}}$$

where f_{clk} is the digital clock frequency (typically 26 MHz).

The transition to SLEEP state causes the MCU clock source to change from XO to RCO. Similarly, when the SPIRIT1 exits SLEEP to any active state, the source is the XO. Both these transitions are implemented in order to be glitch-free. This is guaranteed by synchronizing both transitions, switching on the rising or falling edge of the RCO clock.

The clock provided to the MCU depends on the current state:

Table 40. MCU clock vs. state

State	Source oscillator	MCU clock
SHUTDOWN	N/A	N/A
STANDBY	N/A	Tail
SLEEP	RC Osc	RC/1 or RC/128
READY TUNING RX TX	XTAL	XTAL/N

11 Register table

This section describes all the registers used to configure the SPIRIT1. The description is structured in sections according to the register usage.

SPIRIT1 has three types of registers:

- Read and write (R/W), which can be completely managed by SPI using READ and WRITE operations
- Read-only (R)
- Read-and-reset (RR), is automatically cleared after a READ operation.

A further category of special registers collects the ones which cannot be categorized in any of the three mentioned above R/W, R, or RR.

The fields named as “Reserved” must not be overridden by the user, otherwise, behavior is not guaranteed.

The memory map is shown in the following table:

Table 41. General configuration registers

Register	Address	Bit	Field name	Reset	R/W	Description
ANA_FUNC_CONF[1]	0x00	7:5	Reserved	000	R/W	
		4:2	GM_CONF[2:0]	011		Sets the driver gm of the XO at startup
		1:0	SET_BLD_LVL[1:0]	00		Sets the BLD threshold 00: 2.7 V 01: 2.5 V 10: 2.3 V 11: 2.1 V

Table 41. General configuration registers (continued)

Register	Address	Bit	Field name	Reset	R/W	Description
ANA_FUNC_CONF[0]	0x01	7	Reserved	1	R/W	
		6	24_26MHz_SELECT	1		1: 26 MHz configuration 0: 24 MHz configuration (impact only RCO calibration reference and loop filter tuning)
		5	AES_ON	0		1: AES engine enabled
		4	EXT_REF	0		0: reference signal from XO circuit 1: reference signal from XIN pin
		3	Reserved	0		
		2	BROWN_OUT	0		1: enables accurate brownout detection
		1	BATTERY_LEVEL	0		1: enables battery level detector circuit
		0	TS	0		1: enables the "temperature sensor" function
GPIO3_CONF	0x02	7:3	GPIO_SELECT[4:0]	10100	R/W	GPIO3 configuration (default: digital GND)
		2	Reserved	0		
		1:0	GPIO_MODE[1:0]	10		GPIO3 mode: 01b: digital input 10b: digital output low power 11b: digital output high power (default: digital output low power)
GPIO2_CONF	0x03	7:3	GPIO_SELECT[4:0]	10100	R/W	GPIO2 configuration (default: digital GND)
		2	Reserved	0		
		1:0	GPIO_MODE	10		GPIO2 mode: 01b: digital input 10b: digital output low power 11b: digital output high power (default: digital output low power)

Table 41. General configuration registers (continued)

Register	Address	Bit	Field name	Reset	R/W	Description
GPIO1_CONF	0x04	7:3	GPIO_SELECT[4:0]	10100	R/W	GPIO1 configuration (default: digital GND)
		2	Reserved	0		
		1:0	GPIO_MODE	10		GPIO1 mode: 01b: digital input 10b: digital output low power 11b: digital output high power (default: digital output low power)
GPIO0_CONF	0x05	7:3	GPIO_SELECT[4:0]	00001	R/W	GPIO0 configuration (default: power-on reset signal)
		2	Reserved	0		
		1:0	GPIO_MODE	10		GPIO0 mode: 00b: analog 01b: digital input 10b: digital output low power 11b: digital output high power (default: digital output low power)
MCU_CK_CONF	0x06	7	EN_MCU_CLK	0	R/W	1: The internal divider logic is running, so the MCU clock is available (but proper GPIO configuration is needed)
		6:5	CLOCK_TAIL[1:0]	0		Number of extra clock cycles provided to the MCU before switching to STANDBY state: 00: 0 extra clock cycle 01: 64 extra clock cycles 10: 256 extra clock cycles 11: 512 extra clock cycles
		4:1	XO_RATIO[3:0]	0		Divider for the XO clock output
		0	RCO_RATIO	0		Divider for the RCO clock output 0: 1 1: 1/128
XO_RCO_TEST	0xB4	7:4	Reserved	0010		
		3	PD_CLKDIV	0		1: disable both dividers of the digital clock (and reference clock for the SMPS) and IF-ADC clock.
		2:0	Reserved	001		

Table 41. General configuration registers (continued)

Register	Address	Bit	Field name	Reset	R/W	Description
SYNTH_CONFIG[0]	0x9F	7	SEL_TSPLIT	0	R/W	0: split time: 1.75 ns 1: split time: 3.47 ns
		6:0	Reserved	0100000		
SYNTH_CONFIG[1]	0x9E	7	REFDIV	0	R/W	Enable division by 2 on the reference clock: 0: $f_{REF} = f_{XO}$ frequency 1: $f_{REF} = f_{XO}$ frequency / 2
		6:3	Reserved	1011		
		2	VCO_L_SEL	0		1: enable VCO_L
		1	VCO_H_SEL	1		1: enable VCO_H
		0	Reserved	1		
IF_OFFSET_ANA	0x07	7:0	IF_OFFSET_ANA	0xA3	R/W	Intermediate frequency setting for the analog RF synthesizer. (see Section 9.4)

Table 42. Radio configuration registers (analog blocks)

Register name	Address	Bit	Field Name	Reset	R/W	Description
SYNT3	0x08	7:5	WCP[2:0]	000	R/W	Set the charge pump current according to the VCO frequency. See Table 26 .
		4:0	SYNT[25:21]	01100		SYNT[25:21], highest 5 bits of the PLL programmable divider The valid range depends on f_{XO} and REFDIV settings; for $f_{XO}=26\text{MHz}$. See Equation 3
SYNT2	0x09	7:0	SYNT[20:13]	0x84	R/W	SYNT[20:13], intermediate bits of the PLL programmable divider. See Equation 3
SYNT1	0x0A	7:0	SYNT[12:5]	0xEC	R/W	SYNT[12:5], intermediate bits of the PLL programmable divider. See Equation 3

Table 42. Radio configuration registers (analog blocks) (continued)

Register name	Address	Bit	Field Name	Reset	R/W	Description
SYNT0	0x0B	7:3	SYNT[4:0]	01010	R/W	SYNT[4:0], lowest bits of the PLL programmable divider. See Equation 3
		2:0	BS	001	R/W	Synthesizer band select. This parameter selects the out-of-loop divide factor of the synthesizer (B in Equation 3). 1: 6 Band select factor for high band 3: 12 Band select factor for middle band 4: 16 Band select factor for low band 5: 32 Band select factor for very low band
CHSPACE	0x0C	7:0	CH_SPACING	0xFC	R/W	Channel spacing in steps of $f_{XO}/2^{15}$ (~793 for $f_{XO} = 26$ MHz, ~732 for $f_{XO} = 24$ MHz).
IF_OFFSET_DIG	0x0D	7:0	IF_OFFSET_DIG	0xA3	R/W	Intermediate frequency setting for the digital shift-to-baseband (see Section 9.4)
FC_OFFSET[1]	0x0E	7:4	Reserved	0	R/W	Carrier offset in steps of $f_{XO}/2^{18}$ and represented as 12 bits 2-complement integer. It is added / subtracted to the carrier frequency set by the SYNTx register. This register can be used to set a fixed correction value obtained e.g. from crystal measurements.
		3:0	FC_OFFSET[11:8]	0		
FC_OFFSET[0]	0x0F	7:0	FC_OFFSET[7:0]	0	R/W	
PA_POWER[8]	0x10	7	Reserved	0	R/W	Output power level for 8 th slot (+12 dBm)
		6:0	PA_LEVEL_7	000001 1		
PA_POWER[7]	0x11	7	Reserved	0	R/W	Output power level for 7 th slot (+6 dBm)
		6:0	PA_LEVEL_6	000111 0		
PA_POWER[6]	0x12	7	Reserved	0	R/W	Output power level for 6 th slot (0 dBm)
		6:0	PA_LEVEL_5	001101 0		
PA_POWER[5]	0x13	7	Reserved	0	R/W	Output power level for 5 th slot (-6 dBm)
		6:0	PA_LEVEL_4	010010 1		
PA_POWER[4]	0x14	7	Reserved	0	R/W	Output power level for 4 th slot (-12 dBm)
		6:0	PA_LEVEL_3	011010 1		

Table 42. Radio configuration registers (analog blocks) (continued)

Register name	Address	Bit	Field Name	Reset	R/W	Description
PA_POWER[3]	0x15	7	Reserved	0	R/W	Output power level for 3 rd slot (-18 dBm)
		6:0	PA_LEVEL_2	100000 0		
PA_POWER[2]	0x16	7	Reserved	0	R/W	Output power level for 2 nd slot (-24 dBm)
		6:0	PA_LEVEL_1	100111 0		
PA_POWER[1]	0x17	7	Reserved	0	R/W	Output power level for first slot (-30 dBm)
		6:0	PA_LEVEL_0	000000 0		
PA_POWER[0]	0x18	7:6	CWC[1:0]	00	R/W	Output stage additional load capacitors bank (to be used to optimize the PA for different sub-bands): 00: 0 pF 01: 1.2 pF 10: 2.4 pF 11: 3.6 pF
		5	PA_RAMP_ENABLE	0		1: enable the power ramping
		4:3	PA_RAMP_STEP_WIDTH[1:0]	00		Step width (unit: 1/8 of bit period)
		2:0	PA_LEVEL_MAX_INDEX	111		Final level for power ramping or selected output power index.

Table 43. Radio configuration registers (digital blocks)

Register name	Address	Bit	Field Name	Reset	R/W	Description
MOD1	0x1A	7:0	DATARATE_M	0x83	R/W	The mantissa value of the data rate equation (see Equation 11)
MOD0	0x1B	7	CW	0	R/W	1: enable the CW transmit mode
		6	BT_SEL	0		Select BT value for GFSK 0: BT = 1 1: BT = 0.5
		5:4	MOD_TYPE[1:0]	01		Modulation type 0: 2-FSK 1: GFSK 2: ASK/OOK 3: MSK
		3:0	DATARATE_E	1010		The exponent value of the data rate equation (see Equation 11)

Table 43. Radio configuration registers (digital blocks) (continued)

Register name	Address	Bit	Field Name	Reset	R/W	Description
FDEV0	0x1C	7:4	FDEV_E[3:0]	0100	R/W	The exponent value of the frequency deviation equation (see Equation 10)
		3	CLOCK_REC_ALGO_SEL	0		Select PLL or DLL mode for symbol timing recovery
		2:0	FDEV_M	101		The mantissa value of the frequency deviation equation (see Equation 10)
CHFLT	0x1D	7:4	CHFLT_M[3:0]	0010	R/W	The mantissa value of the channel filter according to Table 32
		3:0	CHFLT_E	0011		The exponent value of the channel filter according to Table 32
AFC2	0x1E	7	AFC_FREEZE_ON_SYNC	0	R/W	1: enable the freeze AFC correction upon sync word detection
		6	AFC_ENABLE	1		1: enable AFC(see Section 8.8: AFC)
		5	AFC_MODE	0		Select AFC mode: 0: AFC loop closed on slicer 1: AFC loop closed on second conversion stage
		4:0	AFC_PD_LEAKAGE	01000		Peak detector leakage
AFC1	0x1F	7:0	AFC_FAST_PERIOD	0x18	R/W	Length of the AFC fast period
AFC0	0x20	7:4	AFC_FAST_GAIN_LOG2[3:0]	0010	R/W	AFC loop gain in fast mode (log2)
		3:0	AFC_SLOW_GAIN_LOG2	0101		AFC loop gain in slow mode (log2)
RSSI_FLT	0x21	7:4	RSSI_FLT[3:0]	1110	R/W	Gain of the RSSI filter
		3:2	CS_MODE	00		Carrier sense mode (see Section 9.10.2)
		1:0	OOK_PEAK_DECAY	11		Peak decay control for OOK: 3 slow decay; 0 fast decay
RSSI_TH	0x22	7:0	RSSI_THRESHOLD	0x24	R/W	Signal detect threshold in 0.5 dB steps, -120 dBm corresponds to 0x14. (see Section 9.10.1)

Table 43. Radio configuration registers (digital blocks) (continued)

Register name	Address	Bit	Field Name	Reset	R/W	Description
CLOCKREC	0x23	7:5	CLK_REC_P_GAIN[2:0]	2	R/W	Clock recovery loop gain (log2)
		4	PSTFLT_LEN	1		Post-filter: 0: 8 symbols, 1: 16 symbols
		3:0	CLK_REC_I_GAIN	8		Integral gain for the clock recovery loop (used in PLL mode)
AGCCTRL2	0x24	7:4	Reserved	0010	R/W	
		3:0	MEAS_TIME	0010		Measure time
AGCCTRL1	0x25	7:4	THRESHOLD_HIGH[3:0]	0110	R/W	High threshold for the AGC
		3:0	THRESHOLD_LOW	0101		Low threshold for the AGC
AGCCTRL0	0x26	7	AGC_ENABLE	1	R/W	1: enable AGC.
		6:0	Reserved	0001010		
ANT_SELECT_CONF	0x27	7:5	Reserved	000	R/W	
		4	CS_BLANKING	0		1: do not fill the RX FIFO with the data received if the signal is below the CS threshold
		3	AS_ENABLE	0		1: enable antenna switching
		2:0	AS_MEAS_TIME	101		Measurement time

Table 44. Packet/protocol configuration registers

Register name	Address	Bit	Field Name	Reset	R/W	Description
PCKTCTRL4	0x30	7:5	Reserved	000	R/W	
		4:3	ADDRESS_LEN[1:0]	00		Length of address field in bytes: 0 or 1: Basic 2: Sack
		2:0	CONTROL_LEN	000		Length of control field in bytes

Table 44. Packet/protocol configuration registers (continued)

Register name	Address	Bit	Field Name	Reset	R/W	Description
PCKTCTRL3	0x31	7:6	PCKT_FRMT[1:0]	00	R/W	Format of packet. 0: basic, 2: WM-Bus, 3: Sack (see Section 9.7)
		5:4	RX_MODE[1:0]	00		RX mode: 0: normal mode, 1: direct through FIFO, 2: direct through GPIO
		3:0	LEN_WID	0111		Size in number of binary digit of length field
PCKTCTRL2	0x32	7:3	PREAMBLE_LENGTH[4:0]	00011	R/W	Length of preamble field in bytes (from 1 to 32)
		2:1	SYNC_LENGTH[1:0]	11		Length of sync field in bytes (from 1 to 4)
		0	FIX_VAR_LEN	0		Packet length mode. 0: fixed, 1: variable (in variable mode the field LEN_WID of PCKTCTRL3 register must be configured)
PCKTCTRL1	0x33	7:5	CRC_MODE[2:0]	001	R/W	CRC: 0: No CRC, 1: 0x07, 2: 0x8005, 3: 0x1021, 4: 0x864CBF
		4	WHIT_EN[0]	0		1: enable the whitening mode on the data (see Section 9.6.3)
		3:2	TXSOURCE[1:0]	00		TX source data: 0: normal mode, 1: direct through FIFO, 2: direct through GPIO, 3: PN9
		1	Reserved	0		
		0	FEC_EN	0		1: enable the FEC encoding in TX or enable the Viterbi decoding in RX (see Section 9.6.1)
PCKTLEN1	0x34	7:0	PCKTLEN1	0	R/W	Length of packet in bytes (MSB)

Table 44. Packet/protocol configuration registers (continued)

Register name	Address	Bit	Field Name	Reset	R/W	Description
PCKTLEN0	0x35	7:0	PCKTLEN0	0x14	R/W	Length of packet in bytes (LSB)
SYNC4	0x36	7:0	SYNC4	0x88	R/W	Sync word 4
SYNC3	0x37	7:0	SYNC3	0x88	R/W	Sync word 3
SYNC2	0x38	7:0	SYNC2	0x88	R/W	Sync word 2
SYNC1	0x39	7:0	SYNC1	0x88	R/W	Sync word 1
QI	0x3A	7:6	SQI_TH[1:0]	00	R/W	SQI threshold (see Section 9.10.4)
		5:2	PQI_TH[3:0]	0000		PQI threshold (see Section 9.10.3)
		1	SQI_EN[0]	1		1: enable SQI
		0	PQI_EN[0]	0		1: enable PQI
MBUS_PRMBL	0x3B	7:0	MBUS_PRMBL[7:0]	0x20	R/W	MBUS preamble length in chip sequence '01'
MBUS_PSTMBL	0x3C	7:0	MBUS_PSTMBL[7:0]	0x20	R/W	MBUS postamble length in chip sequence '01'
MBUS_CTRL	0x3D	7:4	Reserved	00000	R/W	MBUS sub mode: allowed values are 0, 1, 3 and 5 WM-BUS sub mode: 0: S1 S2 long header, 1: S1m S2 T2 other to meter, 3: T1 T2 meter to other, 5: R2 short header
		3:1	MBUS_SUBMODE[2:0]	000		
		0	Reserved	0		
FIFO_CONFIG[3]	0x3E	7	Reserved	0	R/W	
		6:0	RXAFTHR [6:0]	110000	R/W	FIFO almost full threshold for RX FIFO
FIFO_CONFIG[2]	0x3F	7	Reserved	0	R/W	
		6:0	RXAETHR [6:0]	110000	R/W	FIFO almost empty threshold for RX FIFO
FIFO_CONFIG[1]	0x40	7	Reserved	0	R/W	
		6:0	TXAFTHR [6:0]	110000	R/W	FIFO almost full threshold for TX FIFO
FIFO_CONFIG[0]	0x41	7	Reserved	0	R/W	
		6:0	TXAETHR [6:0]	110000	R/W	FIFO almost empty threshold for TX FIFO
PCKT_FLT_GOALS[1 2]	0x42	7:0	CONTROL0_MASK	0	R/W	For received packet only: all 0s: no filtering on control field

Table 44. Packet/protocol configuration registers (continued)

Register name	Address	Bit	Field Name	Reset	R/W	Description
PCKT_FLT_GOALS[11]	0x43	7:0	CONTROL1_MASK	0	R/W	For received packet only: all 0s: no filtering on control field
PCKT_FLT_GOALS[10]	0x44	7:0	CONTROL2_MASK	0	R/W	For received packet only: all 0s: no filtering on control field
PCKT_FLT_GOALS[9]	0x45	7:0	CONTROL3_MASK	0	R/W	For received packet only: all 0s: no filtering on control field
PCKT_FLT_GOALS[8]	0x46	7:0	CONTROL0_FIELD	0	R/W	Control field (byte 3) to be used as reference for receiver
PCKT_FLT_GOALS[7]	0x47	7:0	CONTROL1_FIELD	0	R/W	Control field (byte 2) to be used as reference for receiver
PCKT_FLT_GOALS[6]	0x48	7:0	CONTROL2_FIELD	0	R/W	Control field (byte 1) to be used as reference for receiver
PCKT_FLT_GOALS[5]	0x49	7:0	CONTROL3_FIELD	0	R/W	Control field (byte 0) to be used as reference for receiver
PCKT_FLT_GOALS[4]	0x4A	7:0	RX_SOURCE_MASK	0	R/W	For received packet only: all 0s: no filtering
PCKT_FLT_GOALS[3]	0x4B	7:0	RX_SOURCE_ADDR	0	R/W	RX packet source / TX packet destination fields
PCKT_FLT_GOALS[2]	0x4C	7:0	BROADCAST	0	R/W	Broadcast address
PCKT_FLT_GOALS[1]	0x4D	7:0	MULTICAST	0	R/W	Multicast address
PCKT_FLT_GOALS[0]	0x4E	7:0	TX_SOURCE_ADDR	0	R/W	TX packet source / RX packet destination fields

Table 44. Packet/protocol configuration registers (continued)

Register name	Address	Bit	Field Name	Reset	R/W	Description
PCKT_FLT_OPTIONS	0x4F	7	Reserved	0	R/W	
		6	RX_TIMEOUT_AND_OR_SELECT	1		1: 'OR' logical function applied to CS/SQI/PQI values (masked by 7:5 bits in PROTOCOL register: CS_TIMEOUT_MASK, SQI_TIMEOUT_MASK, PQI_TIMEOUT_MASK)
		5	CONTROL_FILTERING	1		1: RX packet accepted if its control fields match with masked CONTROLx_FIELD registers
		4	SOURCE_FILTERING	1		1: RX packet accepted if its source field matches with masked RX_SOURCE_ADDR register
		3	DEST_VS_SOURCE_ADDR	0		1: RX packet accepted if its destination address matches with TX_SOURCE_ADDR reg.
		2	DEST_VS_MULTICAST_ADDR	0		1: RX packet accepted if its destination address matches with MULTICAST register
		1	DEST_VS_BROADCAST_ADDR	0		1: RX packet accepted if its destination address matches with BROADCAST reg.
		0	CRC_CHECK	0		1: packet discarded if CRC not valid.
PROTOCOL[2]	0x50	23	CS_TIMEOUT_MASK	0	R/W	1: CS value contributes to timeout disabling
		22	SQI_TIMEOUT_MASK	0		1: SQI value contributes to timeout disabling
		21	PQI_TIMEOUT_MASK	0		1: PQI value contributes to timeout disabling
		20:19	TX_SEQ_NUM_RELOAD[1:0]	0		TX sequence number to be used when counting reset is required using the related command.
		18	RCO_CALIBRATION	0		1: enable the automatic RCO calibration
		17	VCO_CALIBRATION	1		1: enable the automatic VCO calibration
		16	LDC_MODE	0		1: LDC mode on

Table 44. Packet/protocol configuration registers (continued)

Register name	Address	Bit	Field Name	Reset	R/W	Description
PROTOCOL[1]	0x51	15	LDC_RELOAD_ON_SYNC	0	R/W	1: LDC timer is reloaded with the value stored in the LDC_RELOAD registers
		14	PIGGYBACKING	0		1: PIGGYBACKING enabled
		13:12	Reserved	00		
		11	SEED_RELOAD	0		1: reload the back-off random generator seed using the value written in the BU_COUNTER_SEED_MSB BYTE / LSBYTE registers
		10	CSMA_ON	0		1: CSMA channel access mode enabled
		9	CSMA_PERS_ON	0		1: CSMA persistent (no back-off) enabled
		8	AUTO_PCKT_FLT	0		1: automatic packet filtering mode enabled
PROTOCOL[0]	0x52	7:4	NMAX_RETX[3:0]	0	R/W	Max. number of re-TX (from 0 to 15). 0: re-transmission is not performed
		3	NACK_TX	1		1: field NO_ACK=1 on transmitted packet
		2	AUTO_ACK	0		1: automatic acknowledgement after correct packet reception
		1	PERS_RX	0		1: persistent reception enabled
		0	PERS_TX	0		1: persistent transmission enabled
TIMERS[5]	0x53	47:0	RX_TIMEOUT_PRESCALER[7:0]	1	R/W	Prescaler value of the RX TIMEOUT timer. When this timer expires the SPIRIT1 exits RX state. Can be controlled using the quality indicator (SQI, PQI, CS).
TIMERS[4]	0x54	39:2	RX_TIMEOUT_COUNTER[7:0]	0	R/W	Counter value of the RX TIMEOUT timer. When this timer expires the SPIRIT1 exits RX state. Can be controlled using the quality indicator (SQI, PQI, CS)

Table 44. Packet/protocol configuration registers (continued)

Register name	Address	Bit	Field Name	Reset	R/W	Description
TIMERS[3]	0x55	31:2 4	LDC_PRESCALER[7:0]	1	R/W	Prescaler value of the LDC wake-up timer. When this timer expires the SPIRIT1 exits SLEEP state.
TIMERS[2]	0x56	23:1 6	LDC_COUNTER[7:0]	0	R/W	Counter value of the LDC wake-up timer. When this timer expires the SPIRIT1 exits SLEEP state.
TIMERS[1]	0x57	15:8	LDC_RELOAD_PRESCALER[7:0]	1	R/W	Prescaler value of the LDC reload timer. When this timer expires the SPIRIT1 exits SLEEP state. The reload timer value is used if the SYNC word is detected (by the receiver) or if the LDC_RELOAD command is used.
TIMERS[0]	0x58	7:0	LDC_RELOAD_COUNTER[7:0]	0	R/W	Counter part of the LDC reload value timer. When this timer expires the SPIRIT1 exits SLEEP state. The reload timer value is used if the SYNC word is detected (by the receiver) or if the LDC_RELOAD command is used.
CSMA_CONFIG[3]	0x64	7:0	BU_COUNTER_SEED_MSBYTE	0xFF	R/W	The MSB value of the counter of the seed of the random number generator used to apply the BBE algorithm during the CSMA algorithm
CSMA_CONFIG[2]	0x65	7:0	BU_COUNTER_SEED_LSBYTE	0	R/W	The LSB value of the counter seed of the random number generator used to apply the BBE algorithm during the CSMA algorithm
CSMA_CONFIG[1]	0x66	7:2	BU_PRESCALER[5:0]	0000 1	R/W	The prescaler value used to program the back-off unit BU
		1:0	CCA_PERIOD	00		Used to program the T_{cca} time ($64 / 128 / 256 / 512 \times T_{bit}$)
CSMA_CONFIG[0]	0x67	7:4	CCA_LENGTH[3:0]	0000	R/W	Used to program the T_{listen} time
		3	Reserved	0		
		2:0	NBACKOFF_MAX	000		Max. number of back-off cycles

Table 44. Packet/protocol configuration registers (continued)

Register name	Address	Bit	Field Name	Reset	R/W	Description
TX_CTRL_FIELD[3]	0x68	7:0	TX_CTRL3	0	R/W	Control field value to be used in TX packet as byte n.3
TX_CTRL_FIELD[2]	0x69	7:0	TX_CTRL2	0	R/W	Control field value to be used in TX packet as byte n.2
TX_CTRL_FIELD[1]	0x6A	7:0	TX_CTRL1	0	R/W	Control field value to be used in TX packet as byte n.1
TX_CTRL_FIELD[0]	0x6B	7:0	TX_CTRL0	0	R/W	Control field value to be used in TX packet as byte n.0
PM_CONFIG[2]	0xA4	7	Reserved	0	R/W	
		6	EN_TS_BUFFER	0		1: temperature sensor output is buffered
		5	DISABLE_SMPS	0		0: enable internal SMPS 1: disable internal SMPS
		4	Reserved	0		
		3	SET_SMPS_VTUNE	1		Sets the SMPS Vtune voltage
		2	SET_SMPS_PLLBW	1		Sets the SMPS bandwidth
		1:0	Reserved	00		
PM_CONFIG[1]	0xA5	7	EN_RM	0	R/W	0: divider by 4 enabled (SMPS' switching frequency is $F_{SW}=FOSC/4$) 1: rate multiplier enabled (SMPS' switching frequency is $F_{SW}=KRM*FOSC/(2^{15})$)
		6:0	KRM[14:8]	0100000		Sets the divider ration of the rate multiplier.
PM_CONFIG[0]	0xA6	7:0	KRM[7:0]	0	R/W	
XO_RCO_CONFIG	0xA7	7:4	Reserved	1110	R/W	
		3	EXT_RCOSC	0		1: the 34.7kHz signal must be supplied from a GPIO pin
		2:0	Reserved	001		
TEST_SELECT	0xA8	7:0	Reserved	0x00	R/W	
PM_TEST	0xB2	7:0	Reserved	0x42		

Table 45. Frequently used registers

Register name	Address	Bit	Field Name	Reset	R/W	Description
CHNUM	0x6C	7:0	CH_NUM	0	R/W	Channel number. This value is multiplied by the channel spacing and added to the synthesizer base frequency to generate the actual RF carrier frequency. See Equation 3
VCO_CONFIG	0xA1	7:6	Reserved	00	R/W	
		5:0	VCO_GEN_CURR	010001		Set the VCO current
RCO_VCO_CALIBR_IN [2]	0x6D	7:4	RWT_IN[3:0]	0111	R/W	RWT word value for the RCO
		3:0	RFB_IN[4:1]	0000		RFB word value for the RCO
RCO_VCO_CALIBR_IN [1]	0x6E	7	RFB_IN[0]	0	R/W	
		6:0	VCO_CALIBR_TX[6:0]	1001000		Word value for the VCO to be used in TX mode
RCO_VCO_CALIBR_IN [0]	0x6F	7	Reserved	0	R/W	
		6:0	VCO_CALIBR_RX[6:0]	1001000		Word value for the VCO to be used in RX mode
AES_KEY_IN[15]	0x70	7:0	AES_KEY15	0	R/W	AES engine key input (128 bits)
AES_KEY_IN[14]	0x71	7:0	AES_KEY14	0	R/W	AES engine key input (128 bits)
	...	7:0
AES_KEY_IN[1]	0x7E	7:0	AES_KEY1	0	R/W	AES engine key input (128 bits)
AES_KEY_IN[0]	0x7F	7:0	AES_KEY0	0	R/W	AES engine key input (128 bits)
AES_DATA_IN[15]	0x80	7:0	AES_IN15	0	R/W	AES engine data input (128 bits)
AES_DATA_IN[14]	0x81	7:0	AES_IN14	0	R/W	AES engine data input (128 bits)

AES_DATA_IN[1]	0x8E	7:0	AES_IN1	0	R/W	AES engine data input (128 bits)
AES_DATA_IN[0]	0x8F	7:0	AES_IN0	0	R/W	AES engine data input (128 bits)
IRQ_MASK[3]	0x90	7:0	INT_MASKT[31:24]	0	R/W	The IRQ mask register to route the IRQ information to a GPIO. See Table 36 .
IRQ_MASK[2]	0x91	7:0	INT_MASK [23:16]	0	R/W	The IRQ mask register to route the IRQ information to a GPIO. See Table 36 .

Table 45. Frequently used registers (continued)

Register name	Address	Bit	Field Name	Reset	R/W	Description
IRQ_MASK[1]	0x92	7:0	INT_MASK[15:8]	0	R/W	The IRQ mask register to route the IRQ information to a GPIO. See Table 36 .
IRQ_MASK[0]	0x93	7:0	INT_MASK [7:0]	0	R/W	The IRQ mask register to route the IRQ information to a GPIO. See Table 36 .
DEM_CONFIG	0xA3	7:2	Reserved	001101	R/W	Reserved do not modify
		1	DEM_ORDER	1		Set it to 0 during radio initialization
		0	Reserved	1		Reserved do not modify
PM_CONFIG	0xA4	7	Reserved	0	R/W	
		6	EN_TS_BUFFER	0		1: temperature sensor output is buffered
		5	DISABLE_SMPS	0		0: enable internal SMPS 1: disable internal SMPS
MC_STATE[1]	0xC0	7:4	Reserved	0101	R	
		3	ANT_SELECT	0		Currently selected antenna
		2	TX_FIFO_FULL	0		1: TX FIFO is full
		1	RX_FIFO_EMPTY	0		1: RX FIFO is empty
		0	ERROR_LOCK	0		1: RCO calibrator error
MC_STATE[0]	0xC1	7:1	STATE[6:0]	0	R	Current MC state. See Table 20 .
		0	XO_ON	0		1: XO is operating
TX_PCKT_INFO	0xC2	7:6	Reserved	0	R	
		5:4	TX_SEQ_NUM	0		Current TX packet sequence number
		3:0	N_RETX	0		Number of transmission done at the end of a TX sequence. The value is updated at the Max. number of retransmission reached or at the reception of an ACK packet.
RX_PCKT_INFO	0xC3	7:3	Reserved	0	R	
		2	NACK_RX	0		NACK field of the received packet
		1:0	RX_SEQ_NUM	0		Sequence number of the received packet
AFC_CORR	0xC4	7:0	AFC_CORR[7:0]	0	R	AFC word of the received packet
LINK_QUALIF[2]	0xC5	7:0	PQI[7:0]	0	R	PQI value of the received packet

Table 45. Frequently used registers (continued)

Register name	Address	Bit	Field Name	Reset	R/W	Description
LINK_QUALIF[1]	0xC6	7	CS	0	R	Carrier sense indication
		6:0	SQI[6:0]	0		SQI value of the received packet
LINK_QUALIF[0]	0xC7	7:4	Reserved	0	R	
		3:0	AGC_WORD	0		AGC word of the received packet
RSSI_LEVEL	0xC8	7:0	RSSI_LEVEL	0	R	RSSI level of the received packet
RX_PCKT_LEN[1]	0xC9	7:0	RX_PCKT_LEN1	0	R	Length (number of bytes) of the received packet: RX_PCKT_LEN=RX_PCKT_LEN1 × 256 + RX_PCKT_LEN0
RX_PCKT_LEN[0]	0xCA	7:0	RX_PCKT_LEN0	0	R	
CRC_FIELD[2]	0xCB	7:0	CRC2	0	R	CRC field of the received packet, byte 2
CRC_FIELD[1]	0xCC	7:0	CRC1	0	R	CRC field of the received packet, byte 1
CRC_FIELD[0]	0xCD	7:0	CRC0	0	R	CRC field of the received packet, byte 0
RX_CTRL_FIELD[3]	0xCE	7:0	RX_CTRL0	0	R	Control field(s) of the received packet, byte 0
RX_CTRL_FIELD[2]	0xCF	7:0	RX_CTRL1	0	R	Control field(s) of the received packet, byte 1
RX_CTRL_FIELD[1]	0xD0	7:0	RX_CTRL2	0	R	Control field(s) of the received packet, byte 2
RX_CTRL_FIELD[0]	0xD1	7:0	RX_CTRL3	0	R	Control field(s) of the received packet, byte 3
RX_ADDR_FIELD[1]	0xD2	7:0	ADDR1	0	R	Source address field of the RX packet.
RX_ADDR_FIELD[0]	0xD3	7:0	ADDR0	0	R	Destination address field of the RX packet.
AES_DATA_OUT[15]	0xD4	7:0	AES_OUT15	0	R	AES engine data output (128 bits)
AES_DATA_OUT[14]	0xD5	7:0	AES_OUT14	0	R	AES engine data output (128 bits)

AES_DATA_OUT[1]	0xE2	7:0	AES_OUT1	0	R	AES engine data output (128 bits)
AES_DATA_OUT[0]	0xE3	7:0	AES_OUT0	0	R	AES engine data output (128 bits)

Table 45. Frequently used registers (continued)

Register name	Address	Bit	Field Name	Reset	R/W	Description
RCO_VCO_CALIBR_OUT[1]	0xE4	7:4	RWT_OUT[3:0]	0	R	RWT word from internal RCO calibrator
		3:0	RFB_OUT[4:1]	0		RFB word from internal RCO calibrator
RCO_VCO_CALIBR_OUT[0]	0xE5	7	RFB_OUT[0]	0	R	Output word from internal VCO calibrator
		6:0	VCO_CALIBR_DATA	0		
LINEAR_FIFO_STATUS [1]	0xE6	7	Reserved	0	R	Number of elements in the linear TX FIFO (from 0 to 96 bytes)
		6:0	ELEM_TXFIFO	0		
LINEAR_FIFO_STATUS [0]	0xE7	7	Reserved	0	R	Number of elements in the linear RX FIFO (from 0 to 96 bytes)
		6:0	ELEM_RXFIFO	0		
IRQ_STATUS[3]	0xFA	7:0	INT_EVENT[31:24]	0	RR	The IRQ status register. See Table 36 .
IRQ_STATUS[2]	0xFB	7:0	INT_EVENT[23:16]	0	RR	The IRQ status register. See Table 36 .
IRQ_STATUS[1]	0xFC	7:0	INT_EVENT[15:8]	0	RR	The IRQ status register. See Table 36 .
IRQ_STATUS[0]	0xFD	7:0	INT_EVENT[7:0]	0	RR	The IRQ status register. See Table 36 .

Table 46. General information

Register	Address	Bit	Field name	Reset	R/W	Description
DEVICE_INFO[1:0]	0xF0	7:0	PARTNUM[7:0]	0x01	R	Device part number
	0xF1	7:0	VERSION[7:0]	0x30	R	Device version number

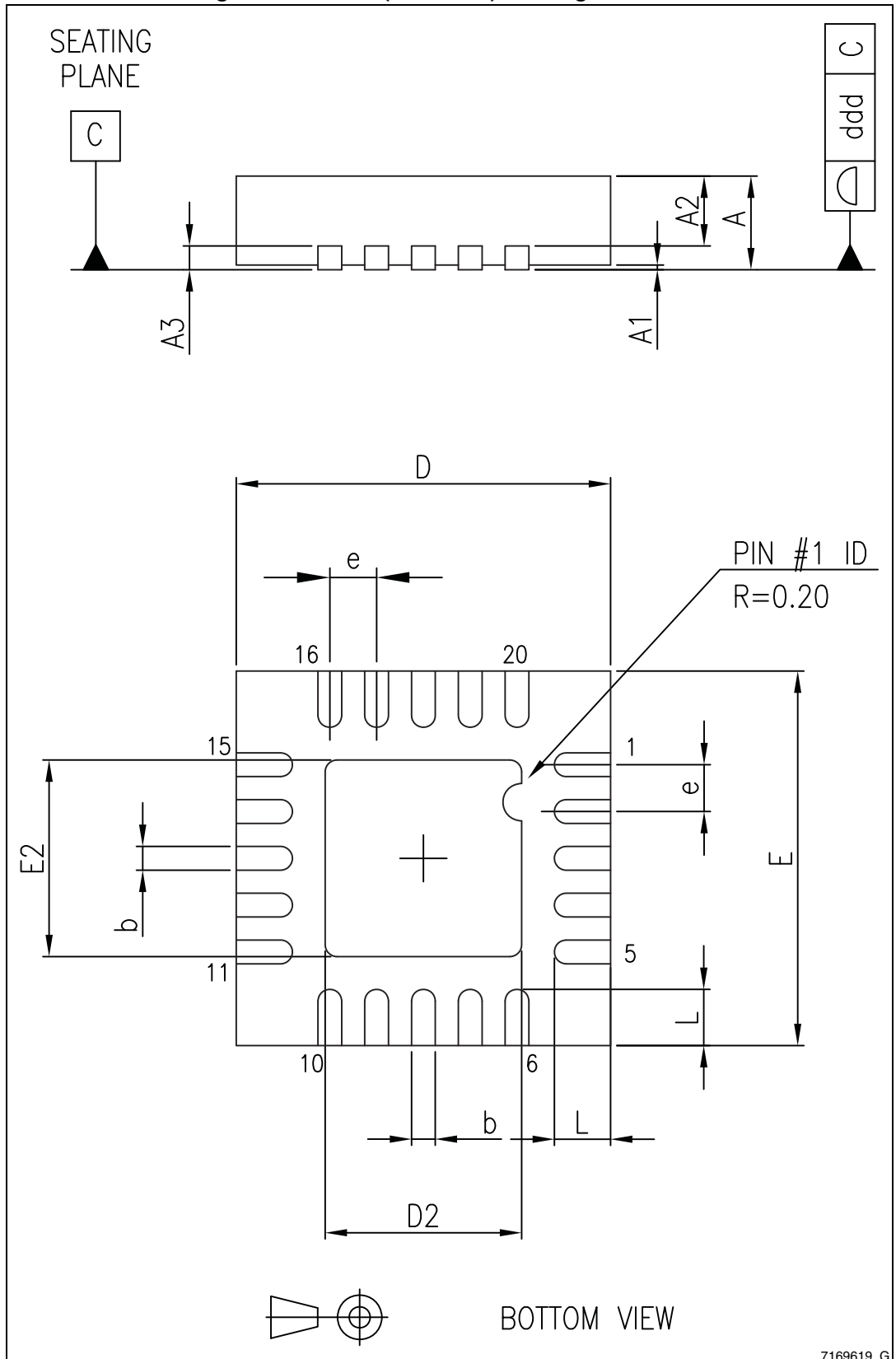
12 Package mechanical data

In order to meet environmental requirements, ST offers these devices in different grades of ECOPACK® packages, depending on their level of environmental compliance. ECOPACK specifications, grade definitions, and product status are available at: www.st.com. ECOPACK is an ST trademark.

Table 47. QFN20 (4 x 4 mm.) mechanical data

Dim.	mm.		
	Min.	Typ.	Max.
A	0.80	0.90	1.00
A1		0.02	0.05
A2		0.65	1.00
A3		0.25	
b	0.18	0.23	0.30
D	3.85	4.00	4.15
D2	2.55	2.60	2.65
E	3.85	4.00	4.15
E2	2.55	2.60	2.65
e	0.45	0.50	0.55
L	0.35	0.55	0.75
ddd			0.08

Figure 17. QFN20 (4 x 4 mm.) drawing dimension



7169619_G

13 Revision history

Table 48. Document revision history

Date	Revision	Changes
06-Feb-2012	1	Initial release.
26-Apr-2012	2	Update RF performance figures in the whole document. Changed pinout for pin 11. Minor text changes.
05-Oct-2012	3	Updated tables 4, 8, 11, 13, 20, 13, 23, 34, 40, 41, 44 and 45. Updated <i>Section 9.4: Intermediate frequency setting</i> and <i>Section 12: Package mechanical data</i> . Minor text changes to improve readability. Document status changed from preliminary to production data.
13-Feb-2013	4	Updated tables 7, 8, 12, 13, 13, 19, 41, 42, and 45. Updated <i>Section 3.1</i> , <i>Section 6.2.1</i> , <i>Section 7.4</i> and <i>Section 9.7.5</i> Inserted <i>Table 9: Power consumption static modes</i> , <i>Figure 3: Application diagram for Tx boost mode</i> , <i>Figure 4: Application diagram for SMPS OFF mode</i> , <i>Section 7.3: Low duty cycle reload mode</i> <i>Section 9.10.1: RSSI</i> and <i>Table 3</i> . Added <i>Section 8.1.1: Switching frequency</i> . Minor text changes to improve readability.
06-May-2013	5	Updated tables 3 and 4. Inserted new <i>Section 8.7</i> and <i>Section 8.9</i> . Minor text changes.
11-Feb-2015	6	Updated <i>Features</i> in cover page, <i>Section 7.2: Timer usage</i> , <i>Section 7.3: Low duty cycle reload mode</i> , <i>Table 7: Recommended operating conditions</i> , <i>Table 13: RF receiver characteristics - sensitivity</i> , added Table footnote "3" to <i>Table 20: States</i> , <i>Section 9.1</i> and <i>Section 9.8</i> .
27-May-2015	7	Updated: <i>Chapter 6.2.5: Crystal oscillator</i> , <i>Chapter 8.5: Oscillator and RF synthesizer</i> , and <i>Table 37: Digital outputs</i> .
25-Jun-2015	8	Minor text change to improve readability.
15-Dec-2015	9	Updated: <i>Features</i> in cover page: removed LQI feature, <i>Section 3.1: Typical application diagram</i> , <i>Section 8.5: Oscillator and RF synthesizer</i> , <i>Section 8.8: AFC</i> , <i>Section 9.7.1: STrack packet</i>
07-Oct-2016	10	Added footnote in Table 12: RF receiver characteristics .

IMPORTANT NOTICE – PLEASE READ CAREFULLY

STMicroelectronics NV and its subsidiaries ("ST") reserve the right to make changes, corrections, enhancements, modifications, and improvements to ST products and/or to this document at any time without notice. Purchasers should obtain the latest relevant information on ST products before placing orders. ST products are sold pursuant to ST's terms and conditions of sale in place at the time of order acknowledgement.

Purchasers are solely responsible for the choice, selection, and use of ST products and ST assumes no liability for application assistance or the design of Purchasers' products.

No license, express or implied, to any intellectual property right is granted by ST herein.

Resale of ST products with provisions different from the information set forth herein shall void any warranty granted by ST for such product.

ST and the ST logo are trademarks of ST. All other product or service names are the property of their respective owners.

Information in this document supersedes and replaces information previously supplied in any prior versions of this document.

© 2016 STMicroelectronics – All rights reserved

Mouser Electronics

Authorized Distributor

Click to View Pricing, Inventory, Delivery & Lifecycle Information:

[STMicroelectronics:](#)

[SPIRIT1QTR](#)