

Midi free-standing Beacons / LED Permanent-/ Blink-/ Revolving Light 829

**LED Rotat. Beacon BM 24VDC RD**

Part No.: 829.110.55

**MECHANICAL DATA**

Height	137 mm
Diameter	98 mm
Materials	PC PC/ABS
Dome colour	Red
Housing colour	Black
Protection category	IP65
Connection	Screw terminals
cross-sectional area minimum	0,50mm <sup>2</sup> / 20AWG
cross-sectional area maximum	1,50mm <sup>2</sup> / 16AWG
Cable entry	Rubber pinch
Cable entry minimum	d = 5 mm
Cable entry maximum	d = 7 mm
Type of fixing	Base mounting
Working temperature minimum	-20°C
Working temperature maximum	+50°C
Weight with packaging	260 g
Product weight	205 g

**ELECTRICAL DATA**

Operating voltage	24V
Operating voltage type	DC
Operating voltage tolerance	+/- 10%
Rated operational voltage	24 VDC
Rated operational current	300 mA
Rated inrush current	500 mA
Protection class	Protection class 2
Pollution degree	3

**OPTICAL DATA**

Light source	LED
Light colour	Red
Optical signal image	Revolving
Service life optical	50,000 h maximum
Rotation speed (rpm)	180 U/min

**APPROVAL DATA**

Conforms with CE	Yes
WEEE	Yes

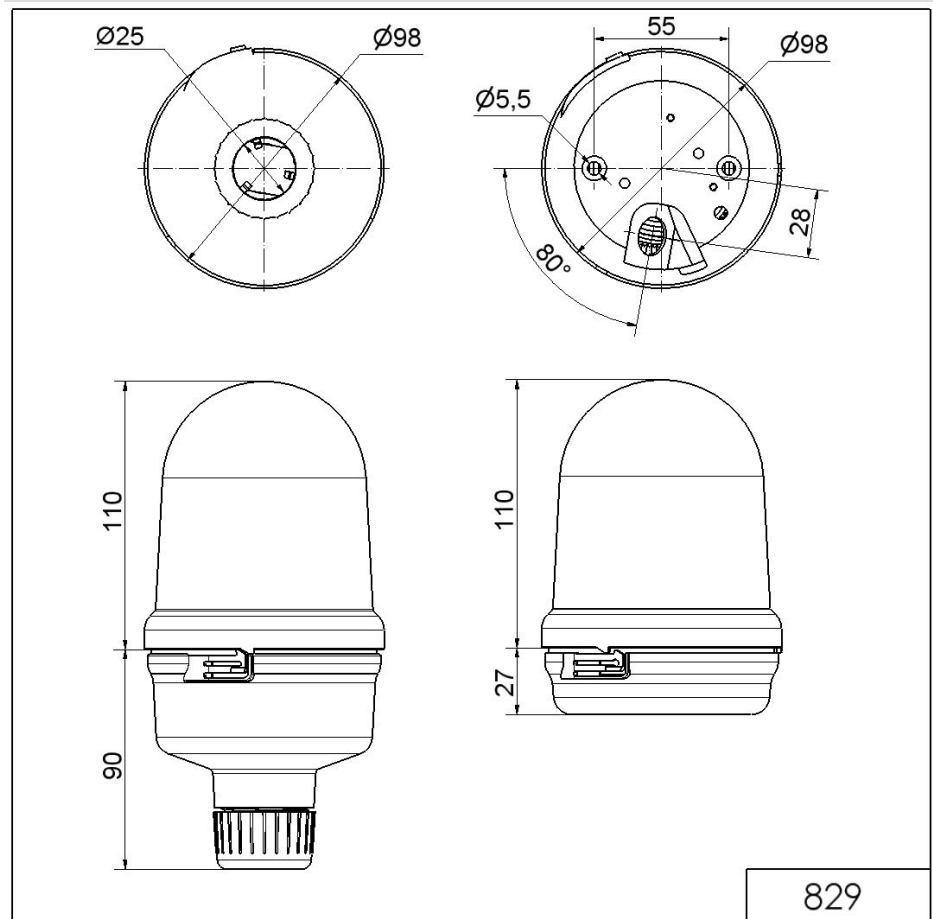


For additional installation and mounting information, refer to the appropriate user guide at [www.werma.com](http://www.werma.com). This printed copy is for information only and is subject to alteration.

Midi free-standing Beacons / LED Permanent-/ Blink-/ Revolving Light 829  
**LED Rotat. Beacon BM 24VDC RD**

Conforms with ATEX-directive	No
Conforms with CCC	No
Conforms with UL	cULus
UL Type Rating	Type 12
Conforms with FCC	No
Conforms with IC	No
EAC certificate available	Yes
Conforms with AS-I	No
ICAO Certification	No
Conforms with DNV	No
Conforms with RoHS CN	No
Conforms with VdS	No
MTTF-value [years]	1000

**DRAWING**



! For additional installation and mounting information, refer to the appropriate user guide at [www.werma.com](http://www.werma.com). This printed copy is for information only and is subject to alteration.