



Product designation

Product type designation

Enclosures with cut-outs for Ø22mm units - with hole for 2 actuators  
LPZM

**General characteristics**

Colour Grey

IEC degree of protection IP66 and IP67

**Mechanical features**

Weight g 458

**UL technical data**

UL degree of protection NEMA 4X

**Ambient conditions**

Temperature

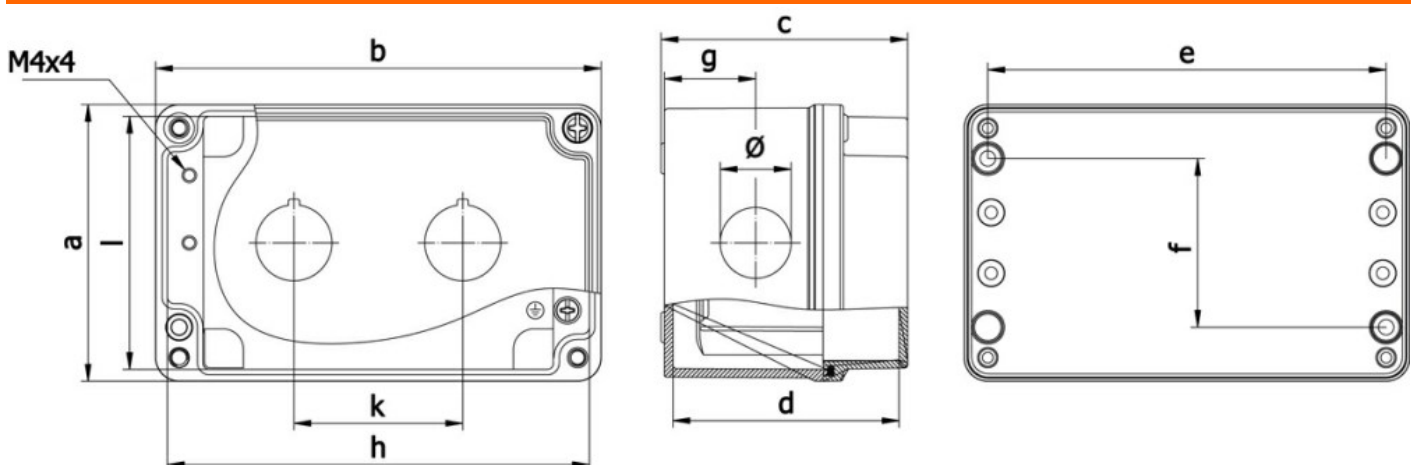
Operating temperature

min °C -25  
max °C +70

Storage temperature

min °C -40  
max °C +85

**Dimensions**



a	b	c	d	e	f	g	h	l	k	Ø
80	130	73	67	118	50	27	125	75	50	21

**Certifications and compliance**

Compliance

CSA C22.2 n° 14

IEC/EN 60947-1

IEC/EN 60947-5-1

Control station, empty with no actuators, for 2 actuators. Grey cover

---

UL508

---

Certificates

cULus  
EAC

---

ETIM classification

ETIM 8.0

EC000200 -  
Enclosure for  
control circuit  
devices