

# Antenna - TC ANT MOBILE WALL 5M - 2702273

Please be informed that the data shown in this PDF Document is generated from our Online Catalog. Please find the complete data in the user's documentation. Our General Terms of Use for Downloads are valid (<http://phoenixcontact.com/download>)




Multiband cellular antenna with mounting bracket for outdoor installation, 5 m antenna cable with SMA circular connector, suitable for LTE/4G and 5G

## Your advantages

- Optional wall or mast mounting
- Suitable for outdoor/indoor applications



## Key Commercial Data

Packing unit	1 pc
GTIN	 4 055626 070186
GTIN	4055626070186

## Technical data

### Dimensions

Caption	Wall mounting
Height	82 mm
Diameter	48 mm
Fixed cable length	5.00 m

### Ambient conditions

Degree of protection	IP65
Ambient temperature (operation)	-40 °C ... 80 °C

### General

With connecting cable	yes
Frequency range	700 MHz
	800 MHz
	850 MHz
	900 MHz

# Antenna - TC ANT MOBILE WALL 5M - 2702273

## Technical data

### General

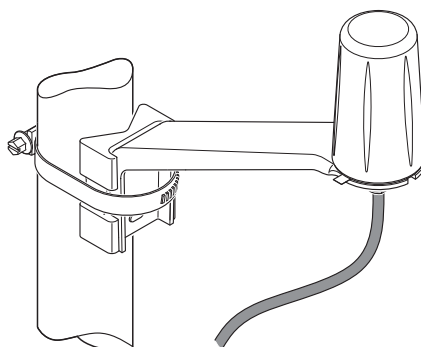
	1700 MHz
	1800 MHz
	1900 MHz
	2100 MHz
	2600 MHz
	3600 MHz
Polarization	vertical
Impedance	50 Ω
Gain	3 dBi (698 ... 960 MHz)
	5 dBi (1710 ... 2700 MHz)
	8 dBi (3400 ... 3800 MHz)
Connection method	SMA (male)
Fixed cable length	5.00 m
Material	ASA (Antenna housing)
Mounting type	Wall mounting
	Mast mounting

### Environmental Product Compliance

China RoHS	Environmentally friendly use period: unlimited = EFUP-e
	No hazardous substances above threshold values

## Drawings

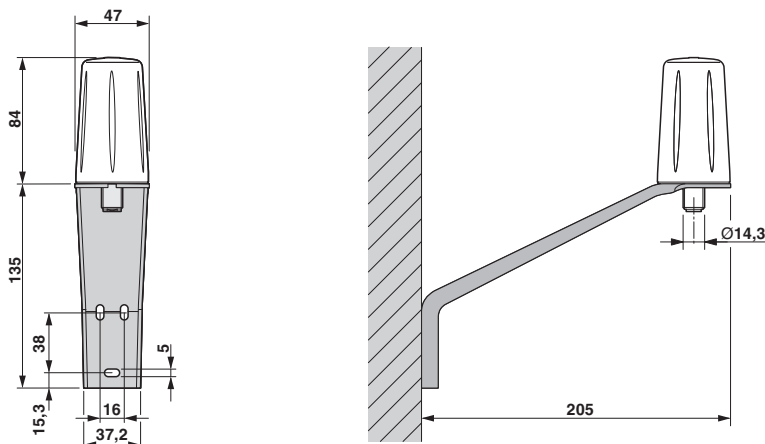
Schematic diagram



### Mast mounting

# Antenna - TC ANT MOBILE WALL 5M - 2702273

Dimensional drawing



Wall mounting

## Classifications

eCl@ss

eCl@ss 10.0.1	19070105
eCl@ss 11.0	19070105
eCl@ss 5.0	19070100
eCl@ss 5.1	19070100
eCl@ss 6.0	19070100
eCl@ss 7.0	19070105
eCl@ss 9.0	19070105

ETIM

ETIM 6.0	EC001698
ETIM 7.0	EC001698

UNSPSC

UNSPSC 18.0	43221715
UNSPSC 19.0	43221715
UNSPSC 20.0	43221715
UNSPSC 21.0	43221715

## Accessories

Accessories

Coaxial cable

## Antenna - TC ANT MOBILE WALL 5M - 2702273

### Accessories

Antenna cable - PSI-CAB-GSM/UMTS-10M - 2900981

Cellular antenna cable, 10 m in length, SMA (male) -> SMA (female), 50 ohm impedance



Antenna cable - PSI-CAB-GSM/UMTS- 5M - 2900980

Cellular antenna cable, 5 m in length, SMA (male) -> SMA (female), 50 ohm impedance



### Modem

Router - TC ROUTER 3002T-4G - 2702528



Industrial LTE 4G router, European version, fallback to 3G UMTS/HSPA and 2G GPRS/EDGE, 2 Ethernet interfaces, firewall, NAT, IPsec and OpenVPN support, 2x SMA-F antenna socket, SMS and e-mail transmission, 2 digital inputs, 1 digital output

Router - TC ROUTER 3002T-3G - 2702529



Industrial 3G router, European version, fallback to 2G GPRS/EDGE, 2 Ethernet interfaces, firewall, NAT, IPsec and OpenVPN support, SMA-F antenna socket, SMS and e-mail transmission, 2 digital inputs, 1 digital output

Router - TC ROUTER 2002T-4G - 2702530



Industrial LTE 4G router, European version, fallback to 3G UMTS/HSPA and 2G GPRS/EDGE, 2 Ethernet interfaces, firewall, NAT, 2x SMA-F antenna socket, SMS and e-mail transmission, 2 digital inputs, 1 digital output

## Antenna - TC ANT MOBILE WALL 5M - 2702273

### Accessories

#### Router - TC ROUTER 2002T-3G - 2702531



Industrial 3G router, European version, fallback to 2G GPRS/EDGE, 2 Ethernet interfaces, firewall, NAT, SMA-F antenna socket, SMS and e-mail transmission, 2 digital inputs, 1 digital output

---

#### Router - TC CLOUD CLIENT 1002-4G - 2702886



Industrial VPN gateway for mGuard Secure Cloud, IPsec communication via 4G (LTE), European version, 2-port switch, 1 digital input, 1 digital output

---

#### Router - TC ROUTER 4002T-4G EU - 1234352



Industrial 4G LTE router, EU device, 3G (UMTS/HSPA) and 2G (GPRS/EDGE) fallback, 2-port switch, firewall, NAT, IPsec and OpenVPN support, 4 DI, 2 DO

---

#### Router - TC ROUTER 4102T-4G EU WLAN - 1234353



Industrial 4G LTE router, EU device, 3G (UMTS/HSPA) and 2G (GPRS/EDGE) fallback, WLAN access point 802.11a/b/g/n, 150 Mbps, 2.4 GHz + 5 GHz, 2-port switch, firewall, NAT, IPsec and OpenVPN support, 4 DI, 2 DO

---

#### Router - TC ROUTER 4202T-4G EU WLAN - 1234354



Industrial 4G LTE router, EU device, 3G (UMTS/HSPA) and 2G (GPRS/EDGE) fallback, WLAN access point 802.11a/b/g/n, 150 Mbps, 2.4 GHz + 5 GHz, 2-port switch, firewall, NAT, IPsec and OpenVPN support, 2 DI, 1 DO, RS-232/RS-485

---

## Antenna - TC ANT MOBILE WALL 5M - 2702273

### Accessories

Router - CLOUD CLIENT 2002T-4G EU - 1234355



Industrial VPN gateway for mGuard Secure Cloud, IPsec communication via 4G (LTE), EU device, 2-port switch, antenna connections: 2 SMA cellular communication, 4 DI, 2 DO

---

Router - CLOUD CLIENT 2102T-4G EU WLAN - 1234357



Industrial VPN gateway for mGuard Secure Cloud, IPsec communication via 4G (LTE), EU device, WLAN access point 802.11a/b/g/n, 150 Mbps, 2.4 GHz + 5 GHz, 2-port switch, antenna connections: 2 SMA cellular communication, 2 RSMA WLAN, 4 DI, 2 DO

---

### Security router for the DIN rail

Router - TC MGUARD RS4000 3G VPN - 2903440



Security appliance, WAN, and cellular interface. SD card slot. 10 VPN tunnels, intelligent firewall with full scope of functions, router with NAT/1:1 NAT, optional CIFS integrity monitoring. 4-port managed switch. 2 SIM card slots. GPS receiver.

---

Router - TC MGUARD RS2000 3G VPN - 2903441



Security appliance with cellular interface. SD card slot. 2 VPN tunnels, 2-click firewall for easy configuration, router with NAT/1:1 NAT. 4-port switch. 2 SIM card slots. GPS receiver.

---

Router - TC MGUARD RS4000 4G VPN - 2903586



Security appliance, WAN and 4G cellular interface, SD card slot, 10 VPN tunnels, intelligent firewall with full scope of functions, router with NAT/1:1 NAT, optional CIFS Integrity Monitoring, 4-port Managed Switch, 2 SIM card slots, GPS receiver

---

## Antenna - TC ANT MOBILE WALL 5M - 2702273

### Accessories

Router - TC MGUARD RS2000 4G VPN - 2903588



Security appliance with 4G cellular interface, SD card slot, 2 VPN tunnels, firewall for easy configuration, router with NAT/1:1 NAT, 4-port switch, 2 SIM card slots, GPS receiver

---

### Signaling system

SMS relay - TC MOBILE I/O X200 - 2903805



SMS relay and signaling module, monitor analog and digital values via cellular network and switch relay outputs remotely, communication via SMS and GPRS (e-mail transmission, app), supply voltage range 10 V ... 60 V AC

---

SMS relay - TC MOBILE I/O X200 AC - 2903806



SMS relay and signaling module, monitor digital values via cellular network and switch relay outputs remotely, communication via SMS and GPRS (e-mail transmission, app), supply voltage range 93 V ... 250 V AC.

---

Signaling system - TC MOBILE I/O X300 - 2903807



Compact signaling system for cellular networks to monitor analog and digital values as well as to switch relay outputs remotely. Communication is via the ODP protocol to an ODP server using GPRS. Supply voltage range of 10 V ... 60 V DC.

---

Signaling system - TC MOBILE I/O X300 AC - 2903808



Compact signaling system for cellular networks to monitor digital values as well as to switch relay outputs remotely. Communication is via the ODP protocol to an ODP server using GPRS. Supply voltage range of 93 V ... 250 V AC.

---

---

Phoenix Contact 2021 © - all rights reserved  
<http://www.phoenixcontact.com>

PHOENIX CONTACT GmbH & Co. KG  
Flachsmarktstr. 8  
32825 Blomberg  
Germany  
Tel. +49 5235 300  
Fax +49 5235 3 41200  
<http://www.phoenixcontact.com>