



PART NAME

NEMA 4X PLASTIC BOX (PTS SERIES)

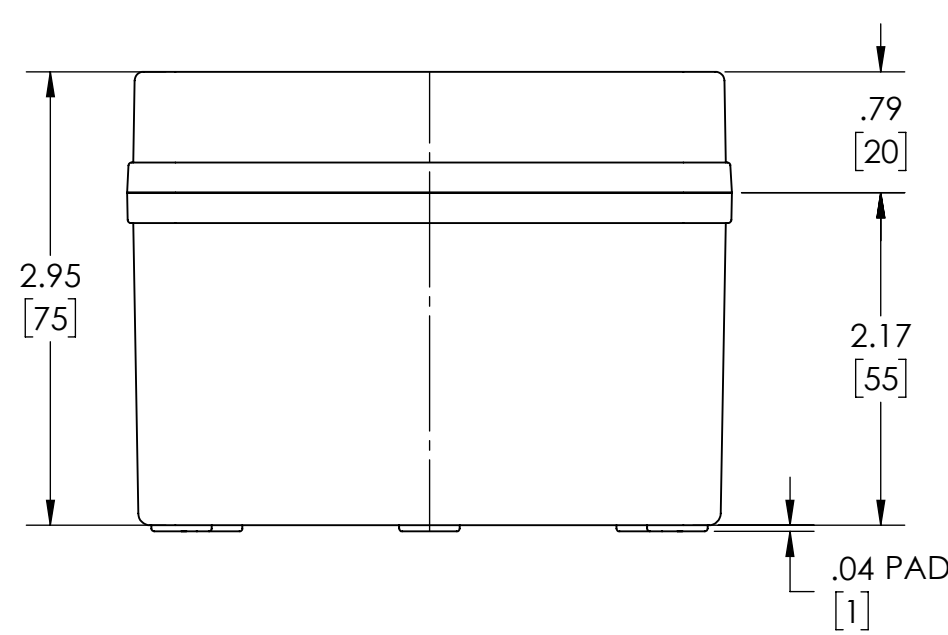
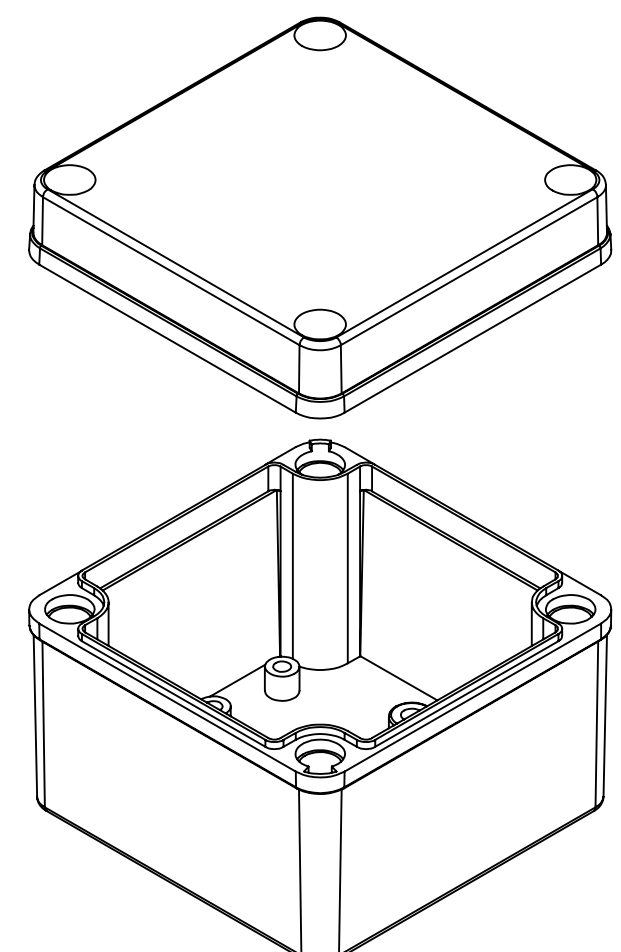
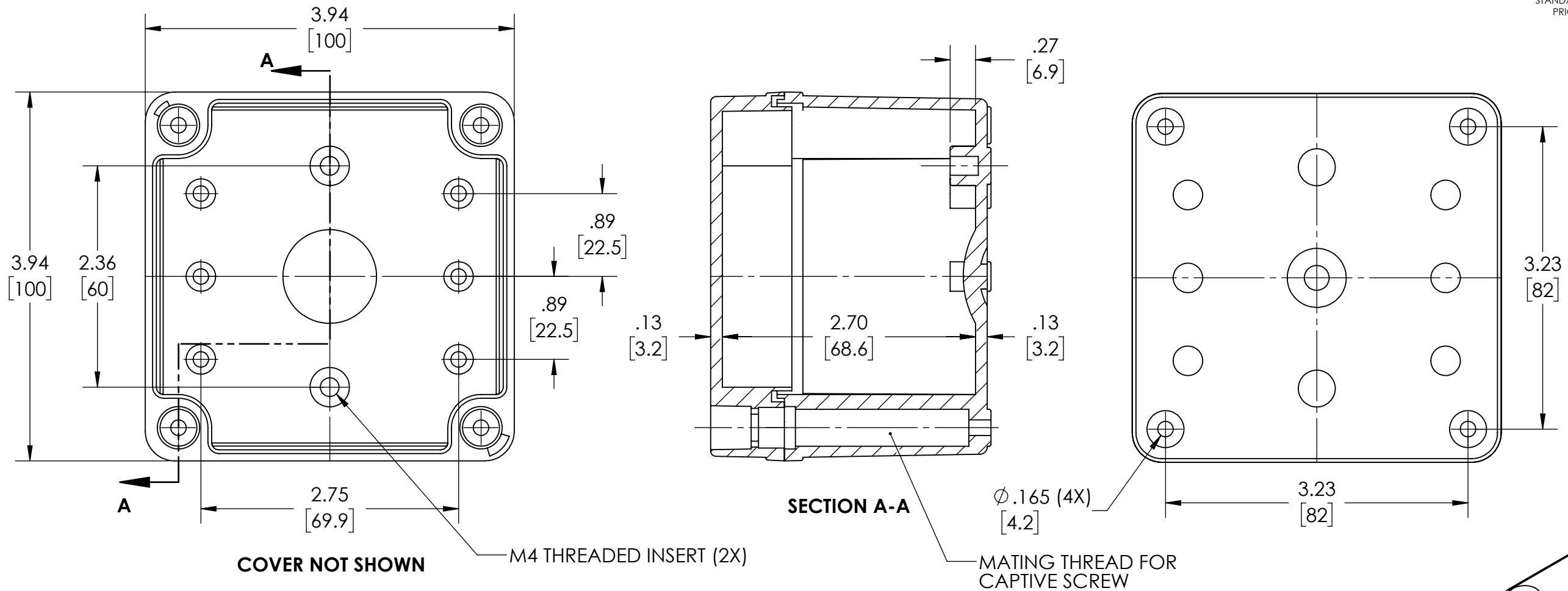
PART No.

PTS-25304 & PTS-25304-C

REVISION DATE

5-2-16

DRAWING FOR REFERENCE
WE RESERVE THE RIGHT TO MAKE CHANGES TO OUR STANDARD PRODUCTS. PLEASE CONSULT WITH BUD INDUSTRIES PRIOR TO USING THIS DRAWING FOR DESIGN PURPOSE.



- NOTES:
- 1- MATERIAL: BODY - GRAY POLYCARBONATE RESIN 10% GLASS FIBER FILLED
COVER - GRAY OR CLEAR (-C SUFFIX) POLYCARBONATE
 - 2- UL508 / NEMA TYPE 4X WITH IP-67 TUV RATING & UL-94V0
 - 3- CONTINUOUS Poured FOAM GASKET IN COVER
 - 4- COVER ATTACHES WITH NON-METALLIC CAPTIVE SCREWS (ITEMS NOT SHOWN)
 - 5- SUPPLIED WITH TWO M4 x 8mm LG. PAN HEAD ZINC PLATED STEEL SCREWS (ITEMS NOT SHOWN)
 - 6- DIMENSIONS ARE INCH [MM]

- OPTIONAL ACCESSORIES:
- INTERNAL STEEL PANEL #PTX-25304
 - INTERNAL PLASTIC PANEL #PTX-25304-P
 - MOUNTING BRACKET KIT (STAINLESS STEEL) - #NBX-10922
 - MOUNTING BRACKET KIT (PLASTIC) #PIX-4117

Mouser Electronics

Authorized Distributor

Click to View Pricing, Inventory, Delivery & Lifecycle Information:

[Bud Industries:](#)

[PTS-25304-C](#)