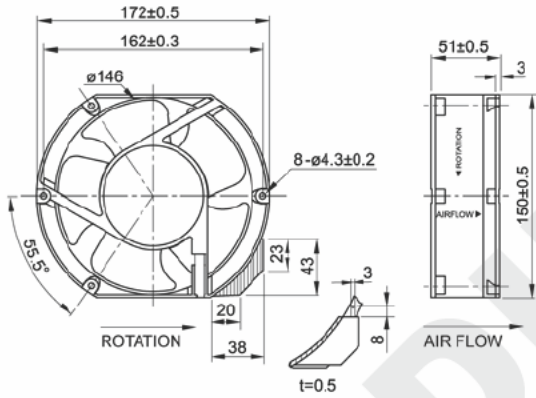
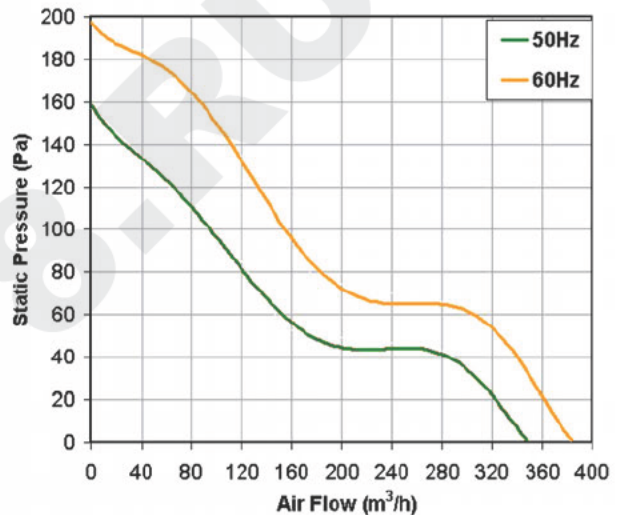


**"C17CF" SERIES COSTECH FANS**

Description: Axial fan a.c. 172X150x51mm



Casing material: Black washed aluminum  
 Impeller material: Black fibreglass reinforced plastic (PBT/PC)  
 Protection degree: IP20, according to EN 60529 standard  
 Fixing system: by No 4 M4 screws  
 Motor protection: thermal  
 Storage temperature range: from -40°C to +80°C  
 Rated temperature range: from -40°C to +70°C  
 Lifetime L<sub>10</sub> at 40°C: 40,000 h  
 Electrical connection: flat terminals 110 series (2.8x0.5 mm)  
 Approval: UL E223195  
 Weight: 0.8 kg



Model	Bearing	Voltage	Frequency	Rated Current	Rated Power	Max Air Flow	Static Pressure		RPM	Approvals
		(V)	(Hz)	(A)	(W)	(m³/h)	(Pa)	[db(A)]	(rpm)	
C17C12HTBF00	Ball	115 V a.c.	50/60	0.260/0.250	31/31	348	157/	53.0/58.0	2,850/3,400	CE; cURus
C17C23HTBF00	Ball	230 V a.c.	50/60	0.120/0.120	29/29	348/38	7/197	53.0/58.0	2,850/3,400	CE; cURus

All specifications, data and drawing are subject to change without notice and are approximate. Please refer to our terms of sales including our warranty and limited liabilities clauses.