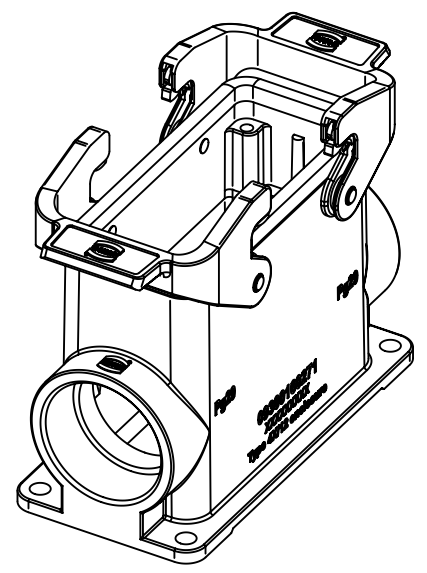


09300160271
XXXXXXXXXX
Type 4X/12 enclosure



	All Dimensions in mm Original Size DIN A4		Scale 1:2	Free size tol.		Ref.
						Sub.
	All rights reserved		Created by RULLKOETTER	Inspected by BERGHORN	Standardisation TIEMANNA	Date 2016-07-19
	Department EL PD					State Final Release
HARTING Electric GmbH & Co. KG D-32339 Espelkamp			Title Han B Base Surface HC 2 Levers 2 Entries			Doc-Key / ECM-Nr. 100209877/UGD/004/B 500000104270
			Type TB	Number 09 30 016 0271		Rev. B Page 1/1