

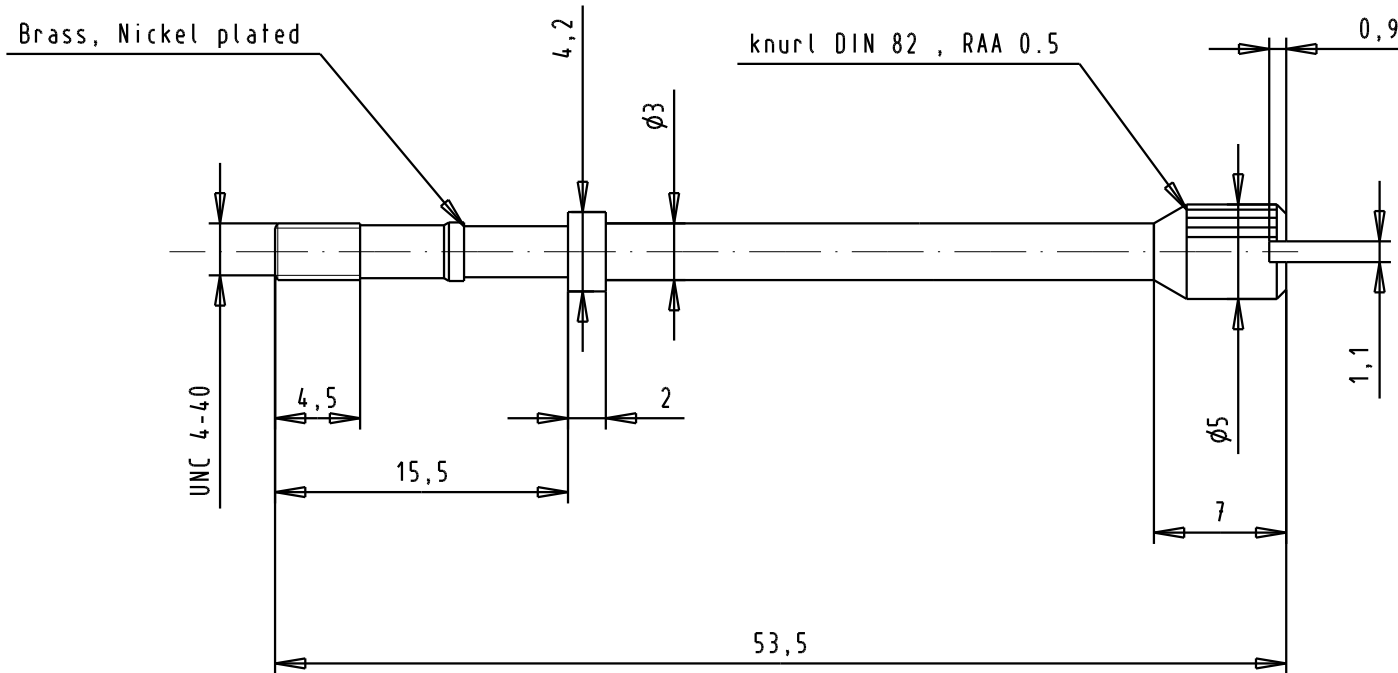
5



4

3

2

1



				Dat.	Name	 All Dim. in mm Orig. Size DIN A 4	Knurled locking screw UNC 4-40	Maßstab/ Scale 2.5:1
			Detail.	07/01/04	S.H.			
			Insp.					
			Stand.					
							TB 09 67 002 9010	Blatt/ Page /
31587	07/01/04	S.H.	HARTING ELEKTRONIK F-95972 Paris					
Mod.	Dat.	Name						
							Sub.	

D

C

B

A