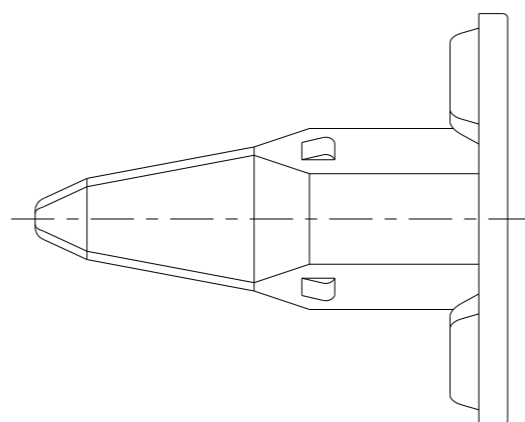
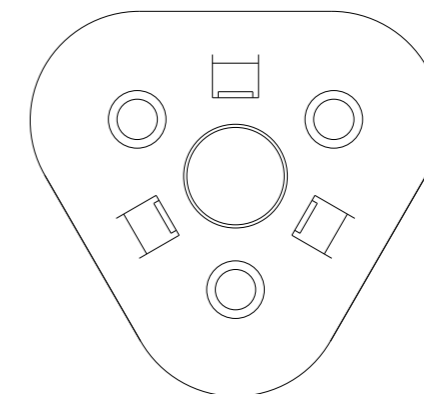
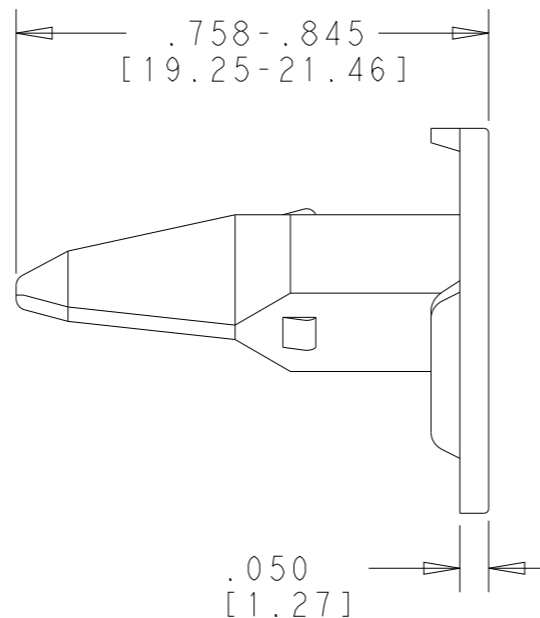
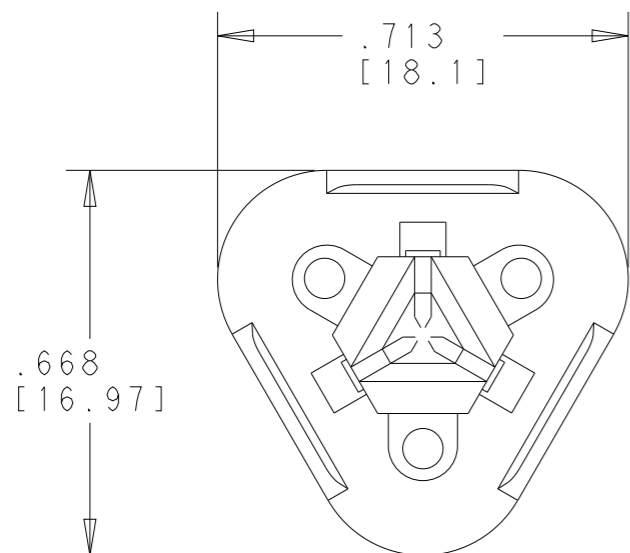


P	LTR	DESCRIPTION	DATE	DWN	APVD
	C	REVISED PER PCN E-17-001289	16JAN2017	CM	DM
	F	REVISED PER PCN-23-190134	29SEP2023	GB	BC



TE INTERNAL PN	DEUTSCH PN
W3S-P012	W3S-P012

2. MATERIAL: PBT 30% GF (GREEN)

1. THIS WEDGE MAY BE USED WITH DT06-3S-XXXX PLUG (XXXX = ALL MODIFICATIONS). CONSULT FACTORY FOR MODIFICATION AND APPLICATION.

NOTES:

THIS DRAWING IS A CONTROLLED DOCUMENT.

DIMENSIONS: INCHES [mm]	TOLERANCES UNLESS OTHERWISE SPECIFIED:
	0 PLC ±
	1 PLC ±
	2 PLC ±
	3 PLC ±.025 [0.64]
	4 PLC ±
	ANGLES ±0°30'0"
MATERIAL	FINISH
	-
	-

DWN	R. OCHOA	14OCT1998
CHK	B. BYFORD	01DEC2005
APVD	S. BEARD	29NOV2005
PRODUCT SPEC	108-151009	
APPLICATION SPEC	114-151009	
WEIGHT	1.03 g	
CUSTOMER DRAWING		

TE Connectivity				NAME	
				WEDGE LOCK FOR 3-PIN PLUG RETENTION TYPE D.T. SERIES	
SIZE	CAGE CODE	DRAWING NO	RESTRICTED TO		
A3	4AFU8	W3S-P012	-		
SCALE		SHEET	OF	REV	
3:1		1	1	F	