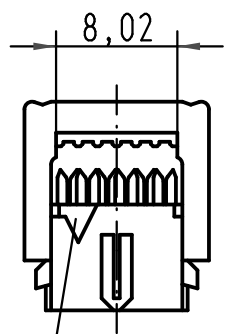
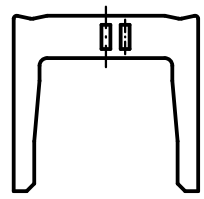
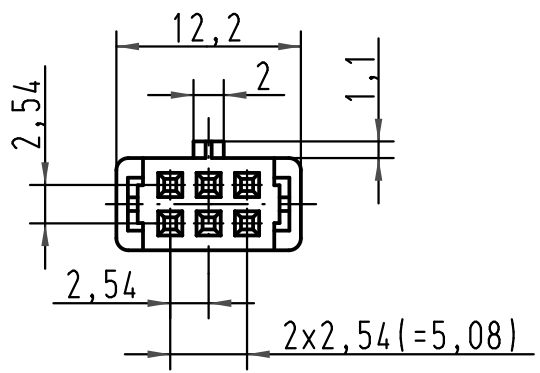
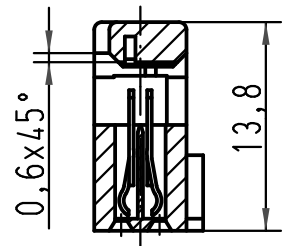


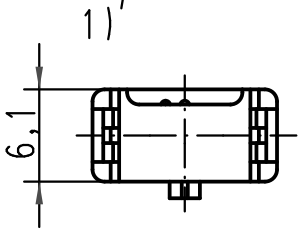
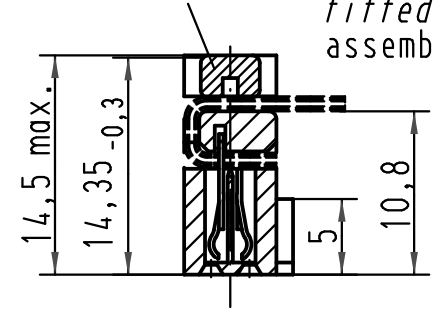
5 4 3 2 1



vorverrastet  
pre assembled  
preassemble



strain relief verrastet  
fitted  
assemble



1) Markierung erster Kontakt, Ader 1 des Flachkabels  
1) Contact no.1, 1st wire of flat cable  
1) Contact no.1, repère 1 du câble

A	09 18 506 5813 58U	0,76 μm Au	Bulk packaging MOQ = 3000 pcs		All Dimensions in mm Original Size DIN A 4			Techn. Character.			Nicht tolerierte Maß/Free size tolerances		
	09 18 506 6813 58U	2											
	09 18 506 7813 58U	3											
	09 18 506 5813	0,76 μm Au	N.A.									SEK 18 Female connector 6 poles with central polarisation without cable stop with strain relief	
	09 18 506 6813	2	N.A.										
	09 18 506 7813	3	N.A.										
Bestell-Nr. Part-No. Reference	Anforderungsstufe performance level Niveau de qualite	Index Designation	36265 26570 Mod.	30-SEP-11 01-FEB-00 Dat.	BH JB Name	HARTING EURL F-95972 Paris				TB 0918506X813		Blatt/ page 1/1	