

PRESSURE COMPENSATION DEVICE

DA 284 | IP66



Photo: Inside view

- > High degree of protection
- > Waterproof membrane
- > Easy to install

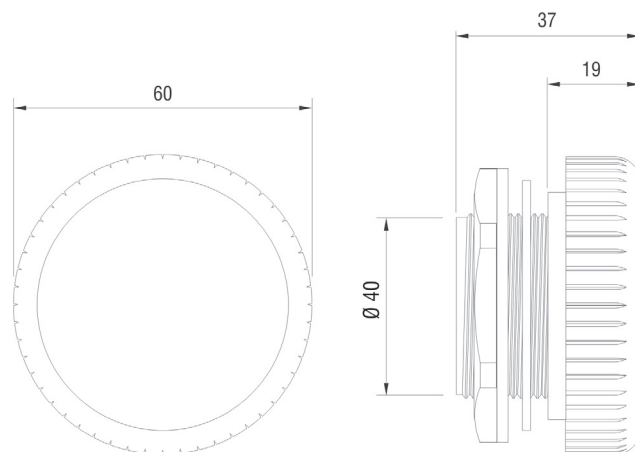
Pressure differentials in enclosures with a high degree of protection are a result of internal and external temperature changes. In the case of negative pressure or partial vacuum, dust and humidity can enter the enclosure through the door seal. When the air inside the enclosure cools down, condensation may occur because the humidity cannot escape the enclosure. The easy-to-install pressure compensation device DA 284 provides compensation of pressure at a protection degree of IP66. Even with a slight overpressure, a waterproof membrane inside the plug allows the humidity to escape whilst blocking water and dirt from entering the enclosure.



TECHNICAL DATA

Mounting	thread M40 x 1.5 with nut
Torque	5Nm (max. 10Nm)
Depth in enclosure	approx. 16mm
Sealing	sealing gasket NBR
Filter	waterproof membrane
Air permeability	1200l/h at a pressure difference of min. 70mbar
Dimensions	Ø 60 x 37mm
Fitting position	variable

Installation: Make cut-out Ø 40.5^{+0.5}mm in enclosure wall and mount pressure compensation device with nut. Please make sure that the sealing gasket is put in place on the outer side panel of the enclosure. For optimal pressure compensation we recommend to use two devices on opposite sides towards the top of the enclosure.



Art. No.	Material	Protection type	Operating/Storage temperature	1 packing unit	Weight (approx.)	Approvals
28400.0-00	plastic, light grey	IP66 (EN 60529) / IPX9K (EN 40050-9)	-35 to +70°C (-31 to +158°F)	2 pieces	90g (45g/piece)	- EAC
28400.0-01	plastic, light grey	IP66 (EN 60529) / IPX9K (EN 40050-9)	-35 to +70°C (-31 to +158°F)	1 piece	45g	- EAC
28405.0-00	plastic according to UL94 V-0, light grey; weather proof and UV light resistant according to UL746C (f1)	IP66 (EN 60529) / IPX9K (EN 40050-9)	-45 to +70°C (-49 to +158°F)	2 pieces	120g (60g/piece)	UL File No. E234324 EAC