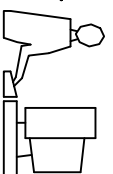


THIS IS A C.A.D. GENERATED DRAWING  
DO NOT MAKE MANUAL REVISIONS TO MASTER.



PART NUMBER: 690-004-221-013

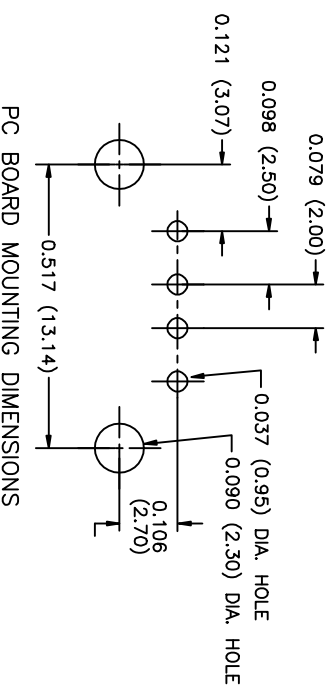
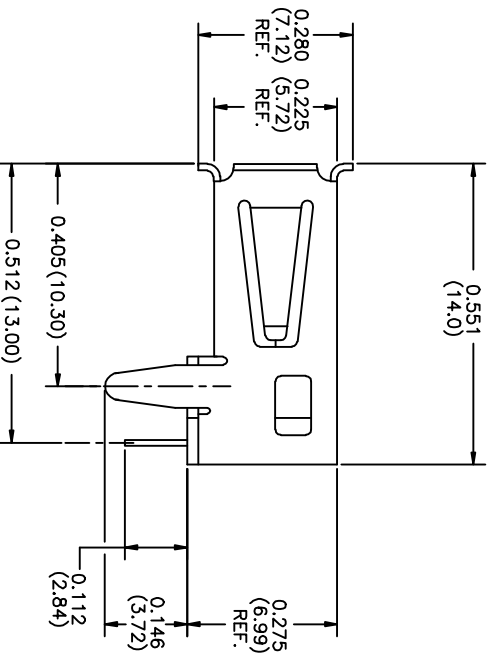
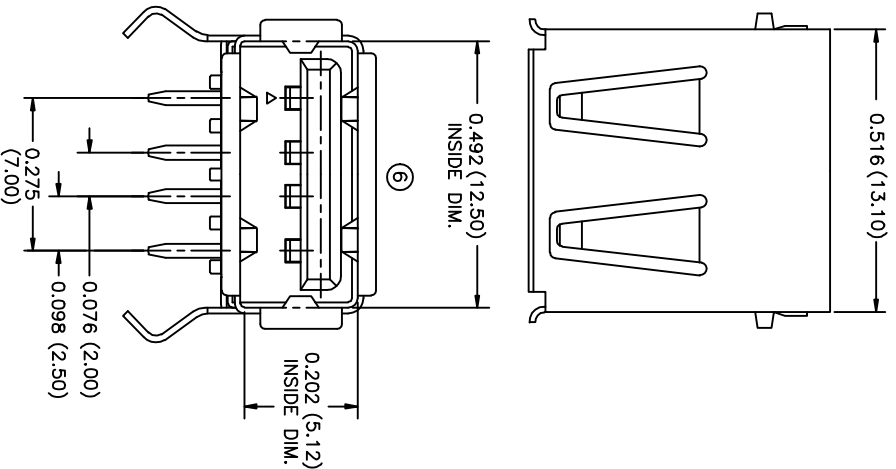
CONTACT CODE \_\_\_\_\_

ISSUE NUMBER

TIN PLATING WAS TIN-LEAD, REF TO ROHS ADDED.	③
R.BLAKEY FEB.14/06	
PCB LAYOUT ADDED	④
F.BRIONES JAN. 06/07	
.037(0.95) HOLES WAS .027(0.695)	⑤
F.BRIONES MAY 029/09	
NEW SHELL CLOSED FLANGE	⑥
R.STAMONICA SEPT.21/2011	

MATERIALS:

- SHELL: COPPER ALLOY, NICKEL PLATED
- CONTACTS: COPPER ALLOY GOLD PLATE ON CONTACT AREA
- TIN ON TAIL END
- GOLD FLASH
- 15 MICRONS OF GOLD
- 30 MICRONS OF GOLD
- INSULATOR: THERMOPLASTIC (HIGH TEMPERATURE RESISTANCE)
- 221 CONTACT CODE
- 321 CONTACT CODE
- 621 CONTACT CODE



**THIS SERIES FULLY CONFORMS TO THE  
EUROPEAN UNION DIRECTIVES 2002/95/EC  
AND 2002/96/EC FOR ROHS COMPLIANCY.**

USB CONNECTOR A TYPE, RIGHT ANGLE, SINGLE DECK

ACAD REFERENCE NO. 690-004-221-013

DRAWN: F.BRIONES DATE: FEB.16/98

CHECKED: DATE:

SCALE: (IN C.A.D. 1:1) SHEET 1 OF 1

DRAWING NUMBER ISSUE

690-004-221-013 6



EDAC INC  
TORONTO, ONTARIO  
CANADA

YOUR CONNECTION TO QUALITY & SERVICE

THESE DRAWINGS AND SPECIFICATIONS  
ARE THE PROPERTY OF EDAC INC. AND  
SHALL NOT BE REPRODUCED, OR COPIED  
OR USED AS THE BASIS FOR THE  
MANUFACTURE OR SALE OF APPARATUS  
WITHOUT WRITTEN PERMISSION.

# Mouser Electronics

Authorized Distributor

Click to View Pricing, Inventory, Delivery & Lifecycle Information:

[EDAC:](#)

[690-004-621-013](tel:690-004-621-013)