

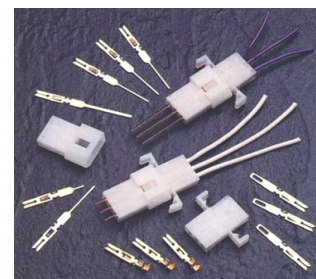
556 SERIES



Rack And Panel Connectors

Features:

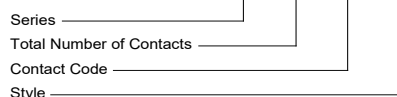
- 0.156" (3.96mm) contact spacing
- Available in plug and receptacle.
- Edacon hermaphroditic contact mating design
- Contact termination options include crimp, P.C. tail, wire hole, wire wrap and taper tail
- Tools available for contact installation, removal and crimping
- RoHS Compliant



Specifications:

Insulator Material	Nylon UL 94V-0 , White Color
Contact Material	Copper Alloy
Contact Plating	Gold Plating over Nickel over entire contact
Current Rating	8.5 amps
Contact Resistance	10 milliohms maximum
Dielectric Withstanding Voltage	2000 V AC rms at sea level
Insulation Resistance	5000 megaohms minimum
Operating Temperature	-40°C to +105°C
Insertion	2 to 16 oz (0.56 to 4.45N) per contact position
Withdrawal Force	2 to 16 oz (0.56 to 4.45N) per contact position

Example Part Number: **556-003-500-102**



Series:

556

Total Number of Contacts:

003

Contact Code:	Description:	Tail Size:	Tail Length "G":
000	No Contacts Assembled	-----	-----
500	Wire Hole	.110 x .024 (2.79 x 0.61)	.245 (6.22)
501	Taper Tail	.110 x .024 (2.79 x 0.61)	.245 (6.22)
520	P.C. Tail	.025 x .024 (0.64 x 0.61)	.215 (5.46)
540	Wire Wrap	.050 x .024 (1.27 x 0.61)	.600 (15.24)
541	Wire Wrap	.026 x .024 (0.66 x 0.61)	.620 (15.70)
542	Wire Wrap	.050 x .024 (1.27 x 0.61)	.790 (20.07)

Style & Material:

Style:	Description:
101	Receptacle
102	Receptacle with Panel Retention
201	Plug

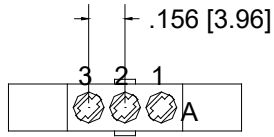
Ordering Code Notes:

- Crimp contacts are also available for 556 series connectors. Contacts may be ordered separately for pre-wired or select position assembly.

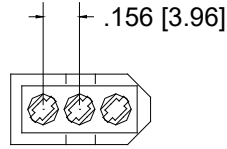
Part Number	Description	Silhouette
516-290-500	Wire Hole	
516-290-501	Taper Tail	
516-290-520	P.C. Tail	
516-290-540	Wire Wrap	
516-290-541	Wire Wrap	
516-290-542	Wire Wrap	
516-290-590	Crimp (Loose)	
516-294-571	Crimp - 1800 Contact Per Reel	

- For contact installation, removal and crimping tools, Please contact EDAC.
- Insulator design prevents improper mating of individual plug and receptacle

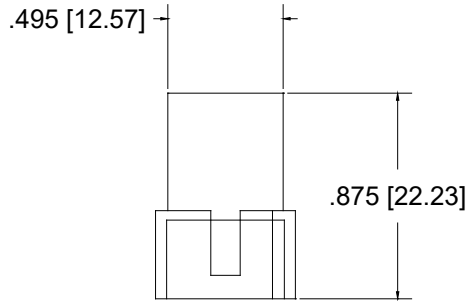
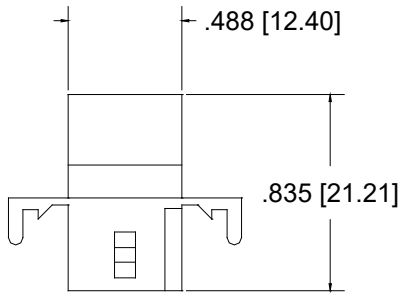
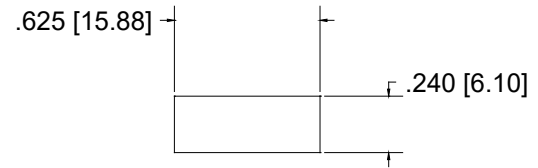
FEMALE CONNECTOR
(Hermaphroditic contacts)



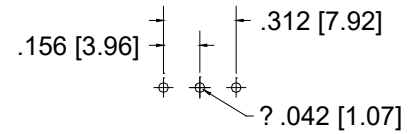
MALE CONNECTOR
(Hermaphroditic contacts)



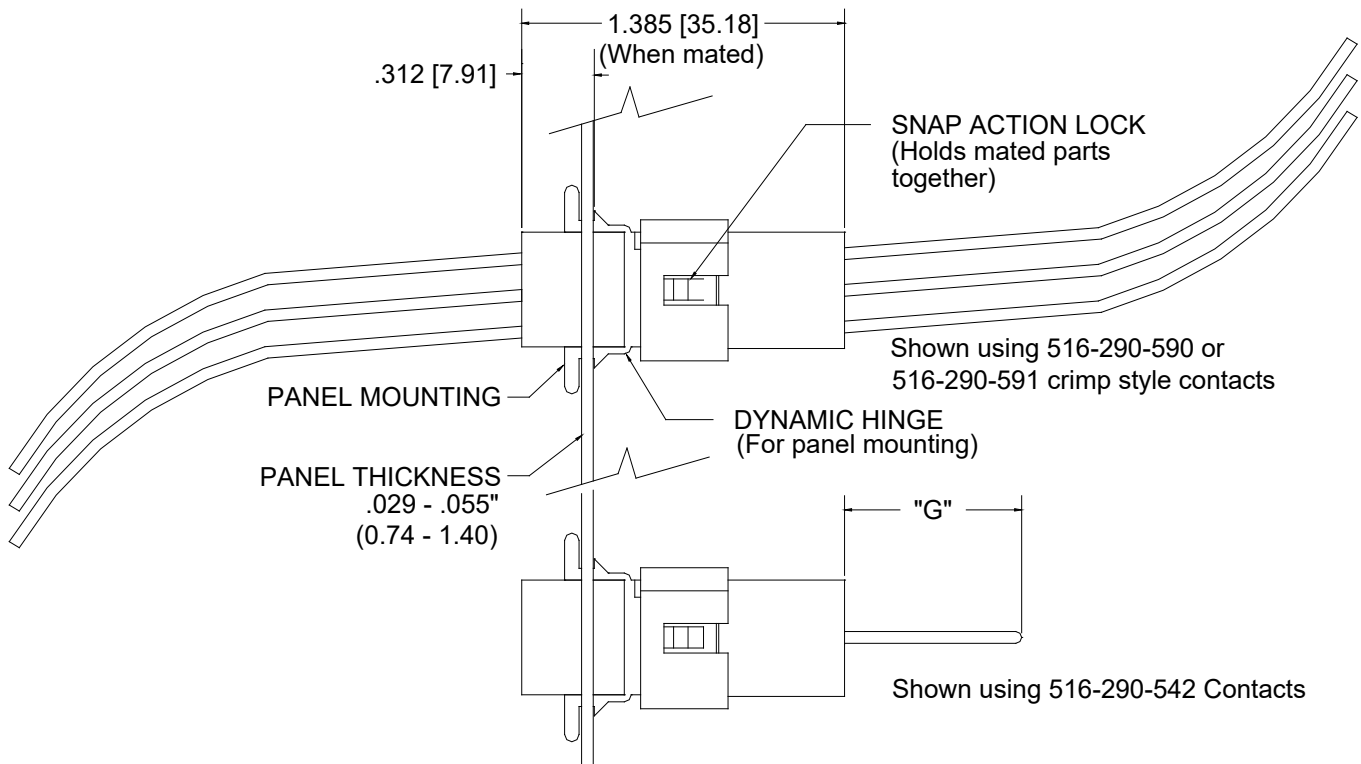
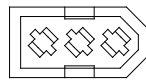
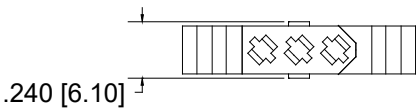
RECOMMENDED
PANEL OPENING
(If Desired)



RECOMMENDED
BOARD LAYOUT



CONNECTOR MATING FACE VIEWS



Mouser Electronics

Authorized Distributor

Click to View Pricing, Inventory, Delivery & Lifecycle Information:

EDAC:

[556-003-000-201](#) [556-003-000-101](#) [556-003-000-102](#) [556-003-501-201](#) [556-003-541-102](#) [556-003-501-102](#) [556-003-541-201](#) [556-003-520-201](#) [556-003-540-102](#) [556-003-542-201](#) [556-003-500-101](#) [556-003-500-201](#) [556-003-540-201](#) [556-003-542-102](#)