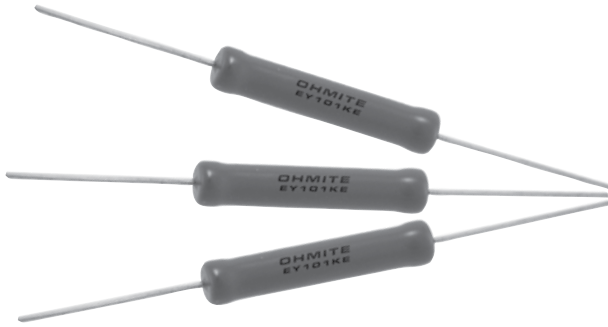


EY Series

Ceramic Composition
10% Tolerance



FEATURES

- Suitable for automatic machine insertion
- Ideal for high energy/high peak power applications
- Products with lead-free terminations meet EU RoHS requirements
- Higher reliability against disconnection compared to wirewound resistors and film resistors

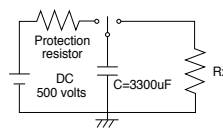
SERIES SPECIFICATIONS

| Series | Watts max.* | Resistance range | Tolerance | Joules max.** | Max. working volts |
|--------|-------------|------------------|-----------|---------------|--------------------|
| EY | 2.5 | 10Ω - 390KΩ | ±10% | 400 | 550 |

* at 25°C. **For a single impulse.

CHARACTERISTICS

| Test | Condition | Requirement $\Delta R \pm (+0.05\Omega)$ | Power Rating | Based on 25°C free air rating |
|------------------------------|---|--|-----------------------|---|
| Resistance | Resistance | Within regulated to tolerance | TCR | -900±300: R<100Ω -1200±300: R≥100Ω |
| | Measurement | | Voltage | Abs. max. working: 550V Abs. max. overload: 1100V Abs. max. pulse: 25kV |
| | Resistance voltage | | | |
| TCR | +25°C/-40°C and +25°C/+125°C | <100Ω: -900+/- 300ppm ≥100Ω: -1200+/-300ppm | Operating Temp. Range | -40°C to +110°C |
| Voltage Coefficient | Rated voltage and rated voltage x 10% (Apply for over 1kΩ) | 0~-0.05%/V | Tolerance | ±10% standard |
| Overload | Rated voltage x 2.5 or maximum overload voltage for 5s, whichever less | ±2% limit; 0.4% typical | Derating | |
| Single impulse rating | The resistor mounted to the test circuit at right. Single impulse test of 10 ohm resistor resulting in 3.3ms. | ±5% | | |
| Resistance to soldering heat | 350°C±10°C, 3.5s±0.5s | ±2% limit; 0.8% typical | | |
| Rapid change of temperature | -40°C(30min.)/+85°C(30min.), 5 cycles | ±2% limit; 0.4% typical | | |
| Moisture resistance | 40°C±2°C, 90%~95%RH, 1000h, 1.5h ON/0, 5h OFF cycles | ±5% limit; 0.6% typical | | |
| Load life | 40°C±2°C, 1000h, 1.5h ON/0, 5h OFF cycles | ±5% limit; 0.4% typical | | |
| Resistance to Solvent | Dipping in IPA or Xylene for 3 minutes and leaving for 10 minutes after removing drops, then brushing 10 times. | No abnormality in appearance. Marking shall be easily legible. | | |
| Pulse Tolerance | 200V, 112 Joules, 10000 cycles, 5600uf capacitor discharge, 26 second rest time | ±2% | | |



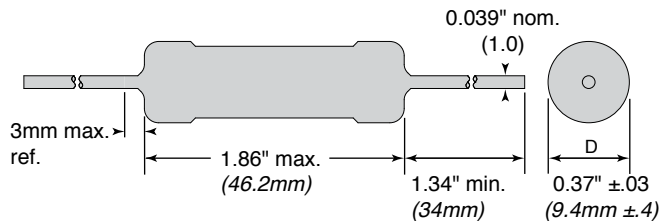
(continued)

EY Series

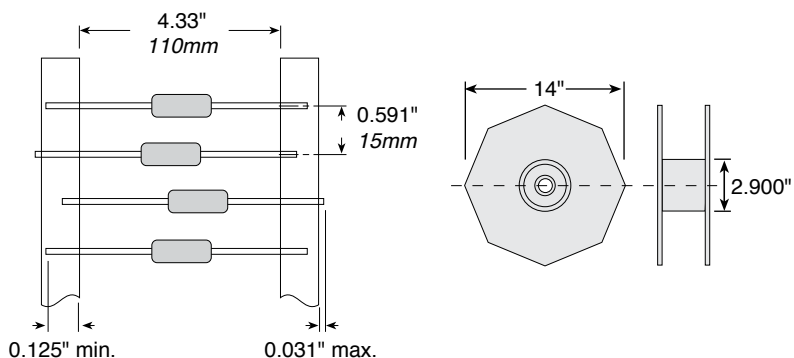
Ceramic Composition
10% Tolerance

DIMENSIONS

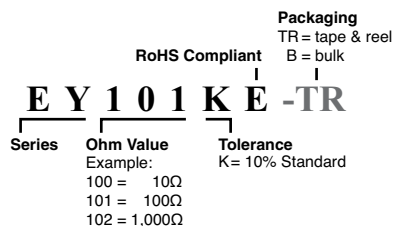
in./mm



Tape and Reel Dimensions



ORDERING INFORMATION



Standard values

| | |
|---------|---------|
| EY100KE | EY471KE |
| EY150KE | EY681KE |
| EY180KE | EY102KE |
| EY270KE | EY152KE |
| EY330KE | EY272KE |
| EY470KE | EY472KE |
| EY680KE | EY103KE |
| EY101KE | EY153KE |
| EY151KE | EY473KE |
| EY271KE | EY104KE |

Mouser Electronics

Authorized Distributor

Click to View Pricing, Inventory, Delivery & Lifecycle Information:

[Ohmite:](#)

[EY100KE](#) [EY150KE](#) [EY180KE](#) [EY270KE](#) [EY330KE](#) [EY470KE](#) [EY680KE](#) [EY101KE](#) [EY151KE](#) [EY271KE](#)
[EY471KE](#) [EY681KE](#) [EY102KE](#) [EY152KE](#) [EY272KE](#) [EY472KE](#) [EY103KE](#) [EY153KE](#) [EY473KE](#) [EY104KE](#)