

# Product datasheet

Specifications



## inductive sensor XS8 40x40x117 - PBT - Sn20 mm - 12..48VDC - terminals

XS8C4A1DPG13

### Main

Range of product	Telemecanique Inductive proximity sensors XS
Series name	General purpose
Sensor type	Inductive proximity sensor
Device application	-
Sensor name	XS8
Sensor design	Form 40 x 40 x 117
Size	117 mm
Body type	Fixed
Detector flush mounting acceptance	Flush mountable
Material	Plastic
Enclosure material	PBT
Type of output signal	Discrete
Wiring technique	2-wire
[Sn] nominal sensing distance	20 mm
Discrete output function	1 NO or 1 NC programmable
Output circuit type	DC
Electrical connection	Screw-clamp terminals, 4 x 1.5 mm <sup>2</sup>
[Us] rated supply voltage	12...48 V DC with reverse polarity protection
Switching capacity in mA	1.5...100 mA with overload and short-circuit protection
IP degree of protection	IP67 conforming to IEC 60529 IP65 conforming to IEC 60529 IP69K conforming to DIN 40050

### Complementary

Detection face	5 positions turret head
Front material	PBT
Operating zone	0...16 mm
Differential travel	3...15% of Sr
Repeat accuracy	<= 3% of Sr

<b>Cable entry number</b>	1 tapped entry for Pg 13.5 cable gland
<b>Status LED</b>	Output state: 1 LED (yellow)
<b>Supply voltage limits</b>	10...58 V DC
<b>Maximum residual current</b>	0.6 mA open state
<b>Switching frequency</b>	<= 300 Hz
<b>Maximum voltage drop</b>	<4.2 V (closed)
<b>Maximum delay first up</b>	7.5 ms
<b>Maximum delay response</b>	1.2 ms
<b>Maximum delay recovery</b>	1.8 ms
<b>Marking</b>	CE
<b>Height</b>	40 mm
<b>Length</b>	40 mm
<b>Width</b>	117 mm
<b>Net weight</b>	0.244 kg

## Environment

<b>Product certifications</b>	UL CSA CCC
<b>Ambient air temperature for operation</b>	-25...70 °C
<b>Ambient air temperature for storage</b>	-40...85 °C
<b>Vibration resistance</b>	25 gn amplitude = +/- 2 mm (f = 10...55 Hz) conforming to IEC 60068-2-6
<b>Shock resistance</b>	50 gn for 11 ms conforming to EN 60068-2-27

## Packing Units

<b>Unit Type of Package 1</b>	PCE
<b>Number of Units in Package 1</b>	1
<b>Package 1 Weight</b>	235.0 g
<b>Package 1 Height</b>	5 cm
<b>Package 1 width</b>	5 cm
<b>Package 1 Length</b>	14.5 cm
<b>Unit Type of Package 2</b>	S02
<b>Number of Units in Package 2</b>	14
<b>Package 2 Weight</b>	3.696 kg
<b>Package 2 Height</b>	15 cm
<b>Package 2 width</b>	30 cm
<b>Package 2 Length</b>	40 cm

## Offer Sustainability

<b>Sustainable offer status</b>	Green Premium product
<b>REACH Regulation</b>	<a href="#">REACH Declaration</a>
<b>EU RoHS Directive</b>	Pro-active compliance (Product out of EU RoHS legal scope) <a href="#">EU RoHS Declaration</a>
<b>Mercury free</b>	Yes

---

RoHS exemption information [Yes](#)

---

Environmental Disclosure [Product Environmental Profile](#)

---

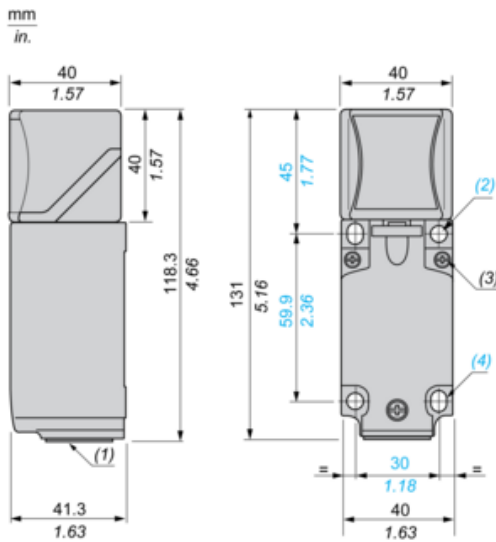
**Contractual warranty**

---

Warranty 18 months

---

Dimensions

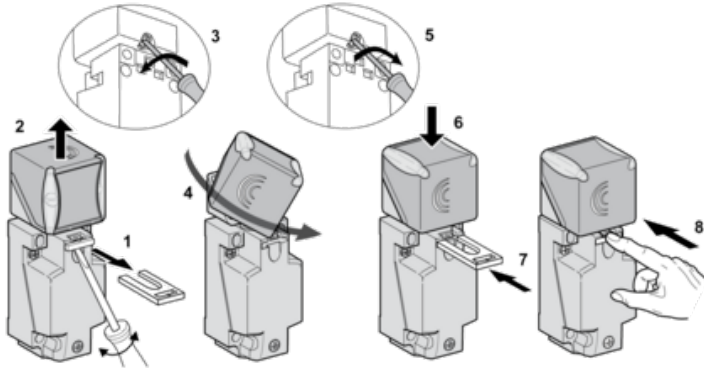


- (1) : Pg 13.5 cable gland.
- (2) : 2 holes  $\varnothing$  5,45 mm /  $\varnothing$  0.21 in. Tightening torque: < 1,5 Nm / < 13.3 lb-in.
- (3) : 3 screws M3,5. Tightening torque: < 1,2 Nm / < 10.6 lb-in.
- (4) : 2 elongated holes 5,4 x 7,4 mm / 0.21 x 0.29 in. Tightening torque: < 1,5 Nm / < 13.3 lb-in".

**Mounting**

---

**Head Positions**

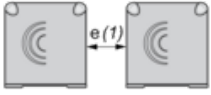


**Setting-up Precautions**

---

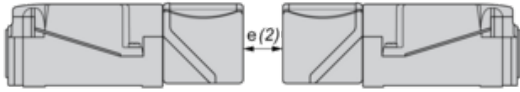
**Minimum Mounting Distances (mm)**

Side by Side



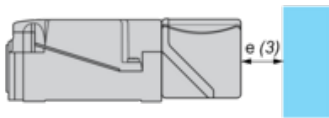
$e(1) \geq 80$

Face to Face



$e(2) \geq 160$

Facing a Metal Object



$e(3) \geq 60$

**Wiring Schemes**

---

**2-Wire DC (Non Polarised)**

