

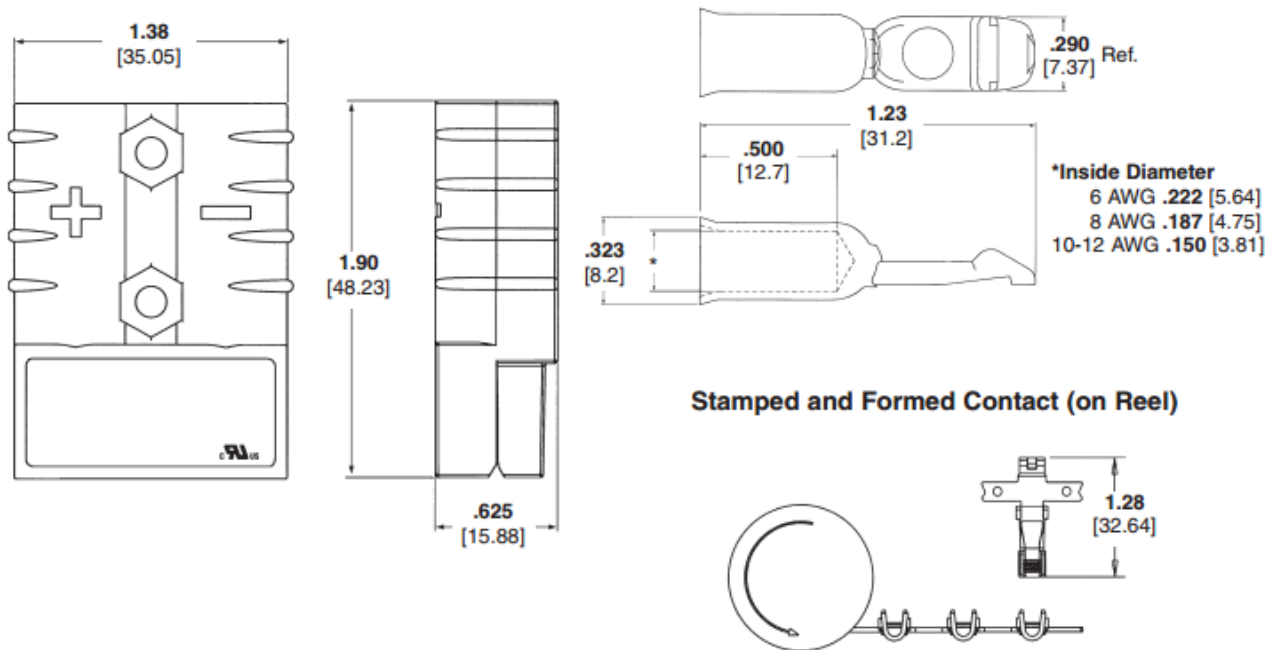
Professionally approved products.

Datasheet

PCB Connector Contact, Male, Crimp, Silver Plating 6 AWG

RS Stock number [718-1459](#)

Dimensions: mm



Specifications

- Color-coded UL 94V-0 housings: grey, red, blue, yellow and black; other colours available upon request Note: Black colour housing has the same mechanical key as the grey housing
- Mechanical keys help prevent two different voltage color-coded housings from mating
- Polarity (+ and -) moulded into housings
- Genderless housings reduce inventory
- Cold-headed contact wire range: 6, 8, 10-12 AWG (Taped version of the cold-headed contacts available.)

Professionally approved products.

Datasheet

Materials

- Housing—Polycarbonate, UL 94V-0
- Retaining Spring—Stainless Steel
- Contacts—Copper with silver plating
- Reducing Bushings—Copper with silver plating

Electrical Characteristics

- Current Carrying Capability— 50 Amps per circuit w/6 AWG wire Max.
- Operating Voltage—600 V, AC or DC
- Dielectric Withstanding Voltage— 2200 VDC
- Average Initial Contact Resistance—200 micro-ohms

Mechanical Characteristics

- Contact Retention—50 lbs. [222.4 N]
- Average Mating/Un-mating Force—15 lbs. [66.7 N]
- Max. Wire Insulation Diameter—.44 [11.18]
- Wire Size Range—6-12 AWG (also 6-16 AWG w/Reducing Bushings)