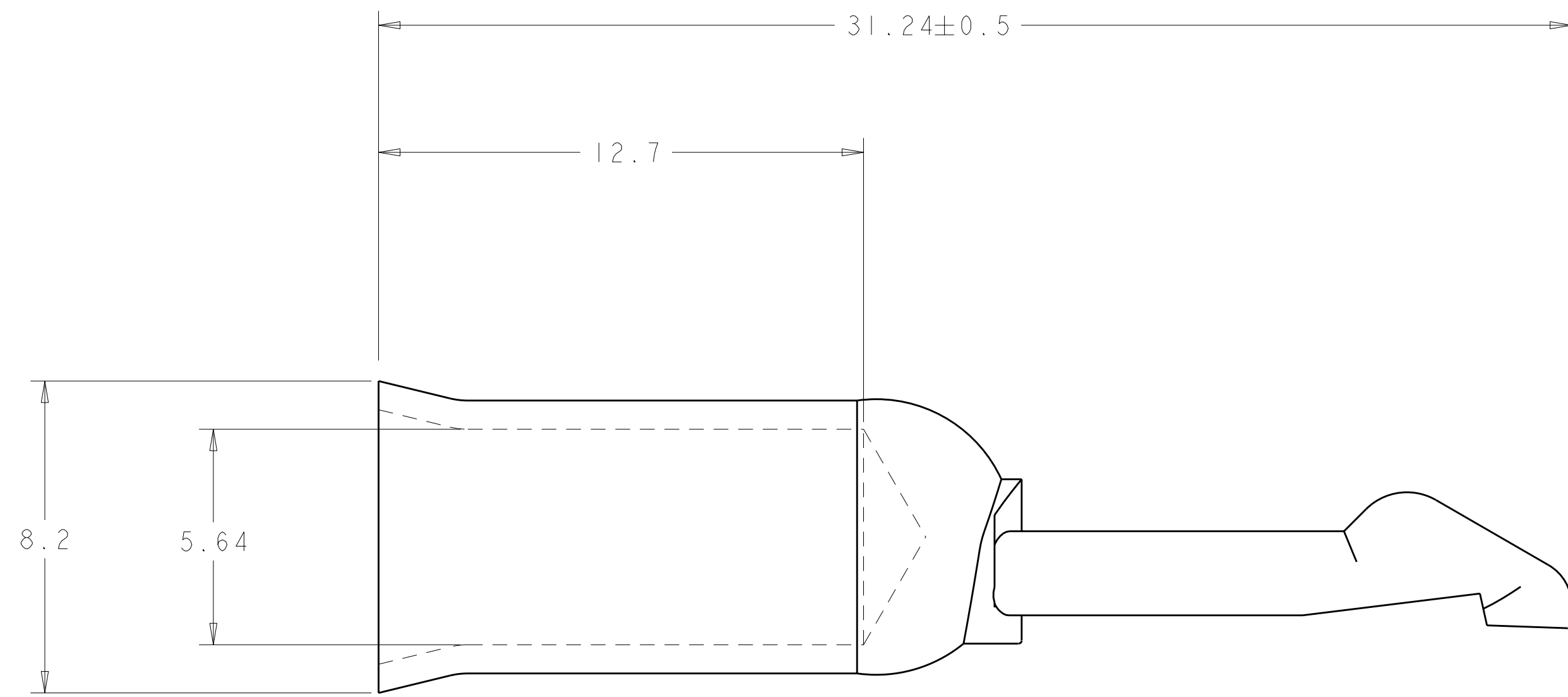
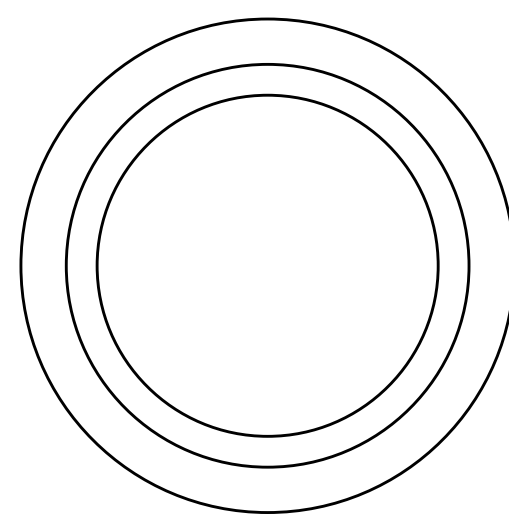
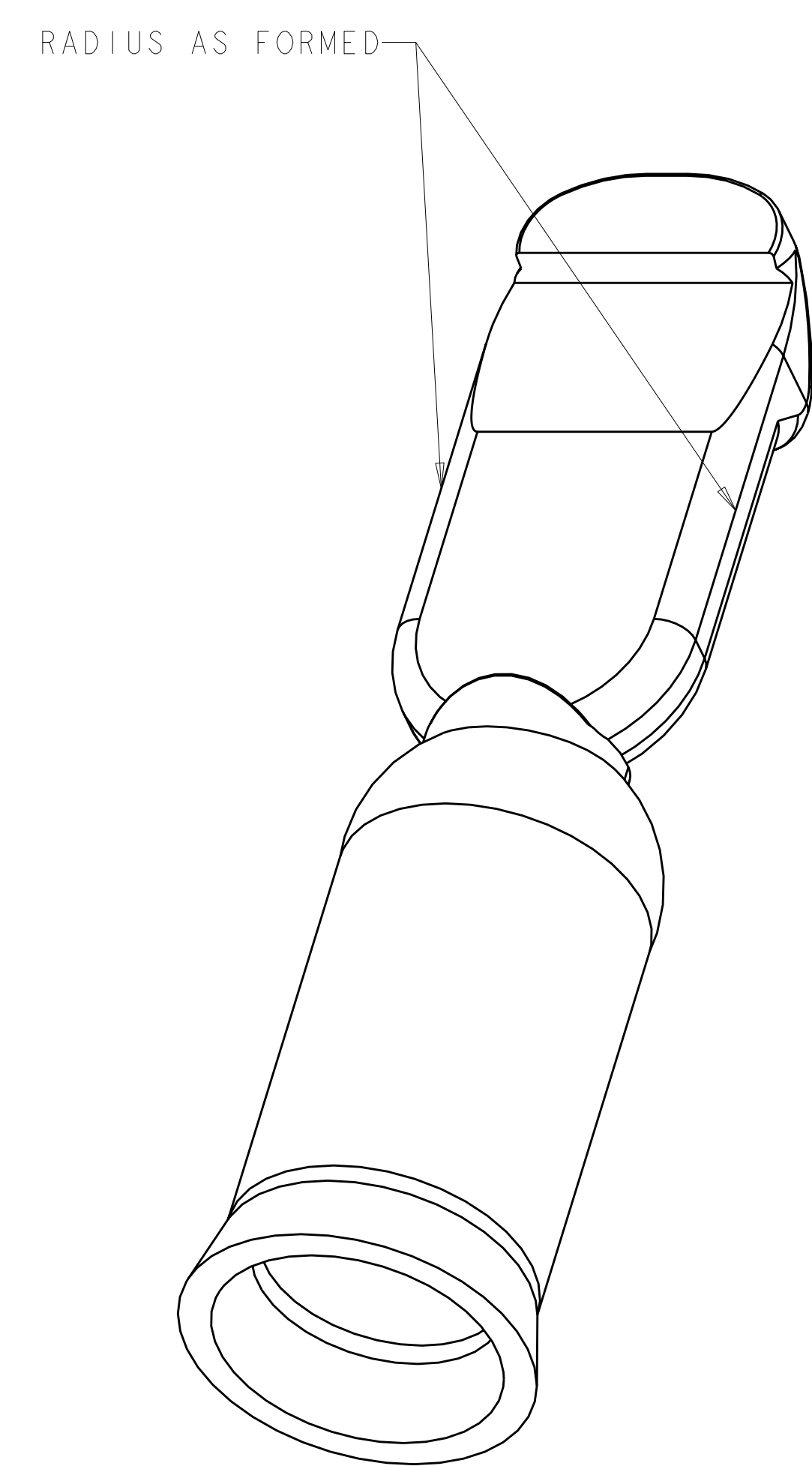
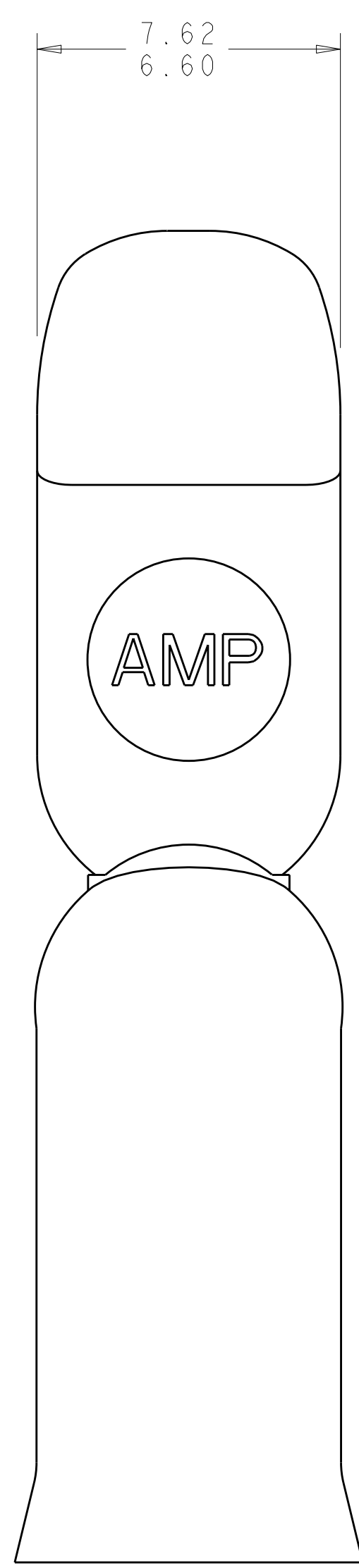


LOC	DIST	REVISIONS			
CM	00	REV	DATE	BY	APP'D
		A	12-DEC-03	KW	JE
		B	15APR2008	KW	SR
		BI	23JUL2008	HMR	SR



1. MATERIAL: COPPER
2. PLATING: SILVER
3. THIS PRODUCT HAS PASSED VERIFICATION AND AGENCY APPROVALS TESTING AND IS COMPONENT RECOGNIZED PER UL 1977 AND CSA 22.2. TYCO ELECTRONICS PRODUCT QUALIFICATION TESTING IS NOT YET COMPLETE.

647877-1
 PART NO

METRIC

<small>THIS DRAWING IS UNPUBLISHED. RELEASED FOR PUBLICATION BY TYCO ELECTRONICS CORPORATION. ALL RIGHTS RESERVED.</small>		DWN: SHANE WUEST 12JUN2001 CHK: KAK 12JUN2001 APP'D: KAK 12JUN2001	Tyco Electronics Harrisburg, PA 17105-3608
DIMENSIONS: mm 	TOLERANCES UNLESS OTHERWISE SPECIFIED: 0 PLC ± 1 PLC ± 2 PLC ±0.13 3 PLC ± 4 PLC ± ANGLES ±5 FINISH	PRODUCT SPEC APPLICATION SPEC WEIGHT CUSTOMER DRAWING	NAME: CONTACT, 6 AWG, AMP POWER SERIES 50 / 75 SIZE: A11 CAGE CODE: 00779 DRAWING NO: 647877 SCALE: 8:1 SHEET: 1 OF 1 REV: BI