

CONTENTS

Page

1. Description, use	1
2. Range, Cat. No. equivalence table	1
3. Dimensions.....	1
4. General characteristics	2
5. Compliance and approvals.....	2
6. Equipment supplied	3
7. Installation accessories.....	4

1. DESCRIPTION, USE

Cat. No. 4 011 81

French electricity tariff control panel for CBE or Linky single phase electronic meter and incoming circuit-breaker.
Complies with technical specification ERDF-CPTM&S Spe10015A
Supplied complete with 16 mm² connection cords

Cat. No. 4 011 82

French electricity tariff control panel for CBE or Linky single phase electronic meter and incoming circuit-breaker.
Complies with technical specification ERDF-CPTM&S Spe13006A
Supplied complete with 16 mm² connection cords

Cat. No. 4 011 91

Plate for subscriber incoming single phase or 3-phase circuit-breaker

Cat. No. 4 011 84

French electricity tariff control panel for CBE or Linky triple phase electronic meter and incoming circuit-breaker.
Complies with technical specification ERDF-CPTM&S Spe13006A
Supplied complete with 16 mm² connection cords

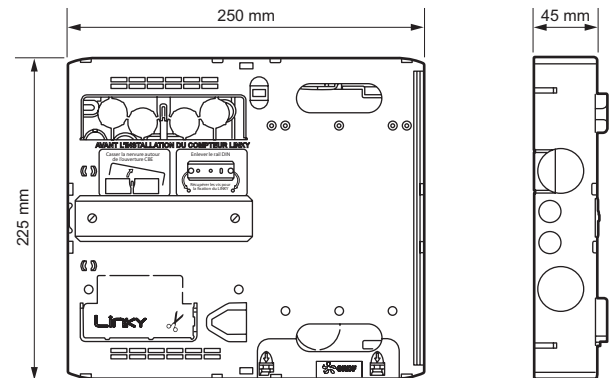
The **4 011 81**, **4 011 82** and **4 011 91** plates can only be connected to DRIVIA 13 and 18 enclosure modules per row
They are supplied complete with joining accessories and fixing screws

2. RANGE, CAT. NO. EQUIVALENCE TABLE

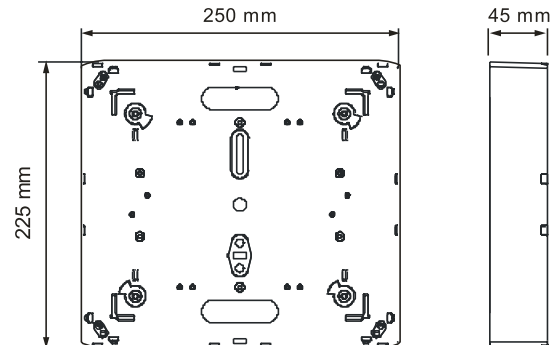
New Cat. Nos.	Old Cat. Nos.
4 011 81	0 011 81/82
4 011 82	/
4 011 84	0 011 83/4 011 83
4 011 91	0 011 91/92

3. DIMENSIONS

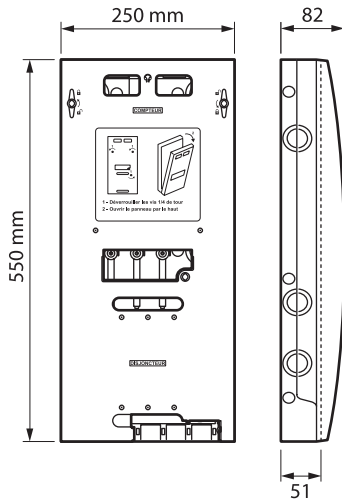
Cat. No. 4 011 81/82



Cat. No. 4 011 91



Cat. No. 4 011 84



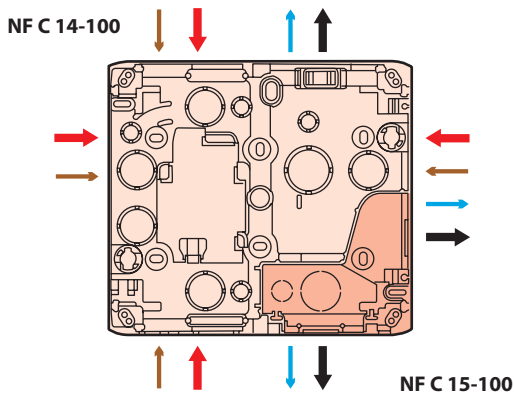
4. GENERAL CHARACTERISTICS

4.1 Technical characteristics

Cat. No. 4 011 81/82

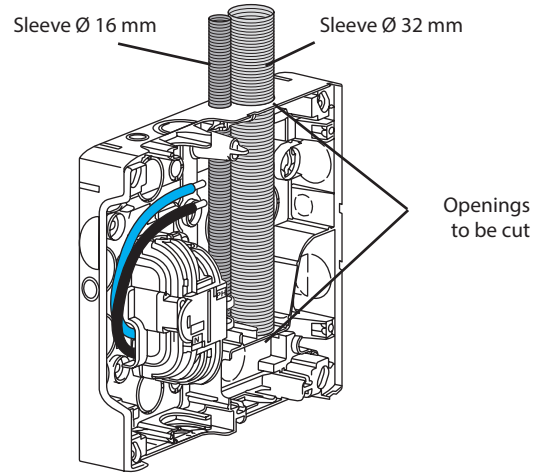
- Takes electronic meters and single phase incoming circuit breakers up to 60 A (width 105 mm)
- Meter/circuit breaker link conductors: 16 mm² copper
- Connection capacity: 10 to 35 mm² Cu or Al*
16 M to 35 M (solid) Al*

*Not included in Cat. No. 4 011 82



NF C 14-100 scope		
Cable type	Incoming mains supply	Consumption feedback system
Conduits	Ø 32/40 mm	Ø 16 mm
NF C 15-100 scope		
Cable type	Output : power (connection to the distribution board)	Customer consumption information automatic control
Conduits	Ø 32 mm	Ø 16 mm
	mini-trunking 32 x 16 mm	

Output towards the top (sleeves not supplied)

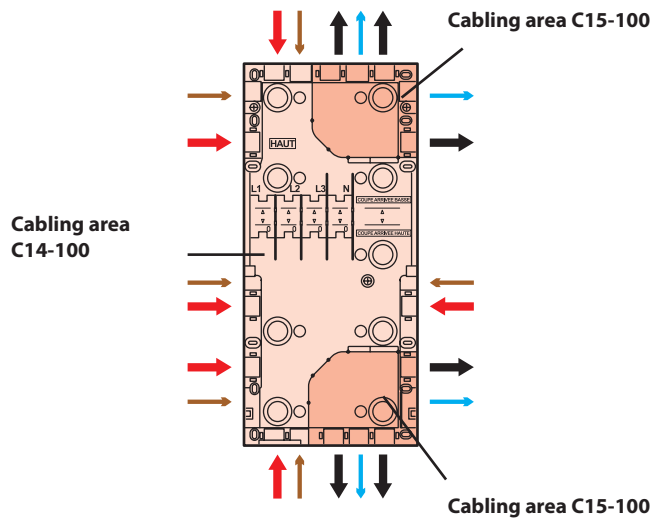


Cat. No. 4 011 91

- Takes single phase and 3-phase incoming circuit-breakers

Cat. No. 4 011 84

- Takes electronic meters and 3-phase incoming circuit breakers up to 60 A
- Meter/circuit breaker link conductors: 16 mm² copper



- Power Output →
- Automatic control or consumption information output →
- Power Input →
- Consumption feedback system input →

- . Colour: white RAL 9003
- . Self-extinguishing: 960°C
- . Storage and installation temperature : -20°C to + 70°C
- . Usage temperature: -10°C to + 40°C
- . Max. permissible current: 60A

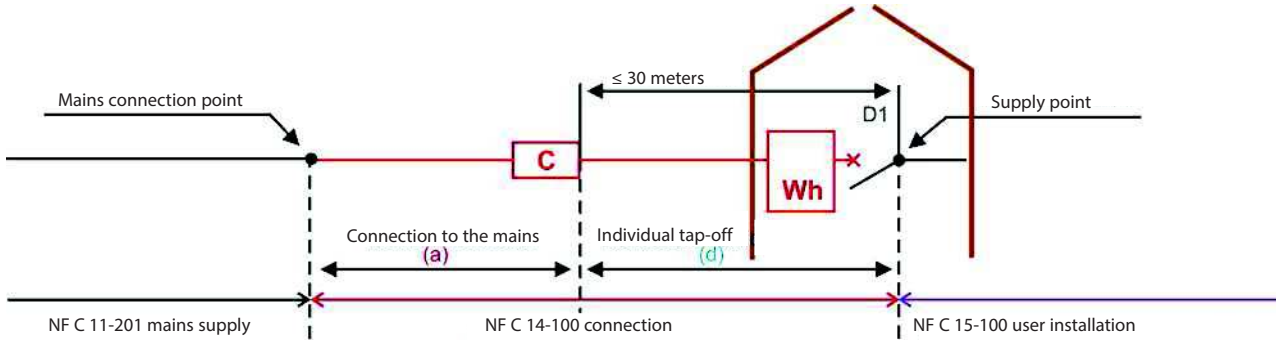
4. GENERAL CHARACTERISTICS (continued)

4.2 Selecting the plate

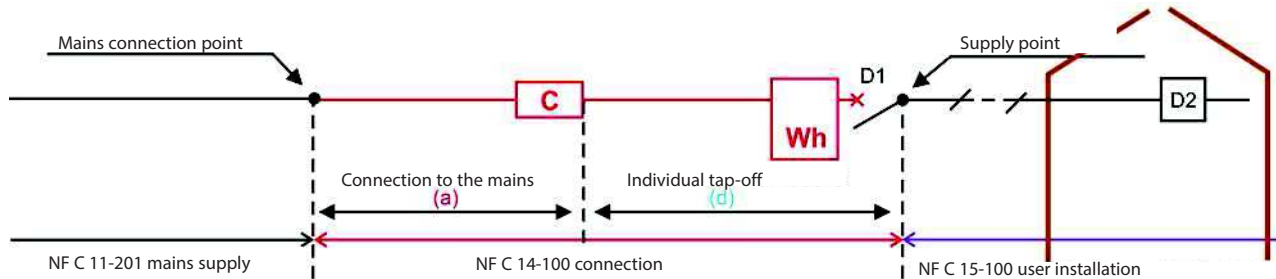
4.2.1 Example of using plate 4 011 81:

This plate is installed in all new installations.

- If the supply point is located less than 30 m from the edge of the property, plate 4 011 81 is installed inside the building with the meter and circuit breaker marked D1.

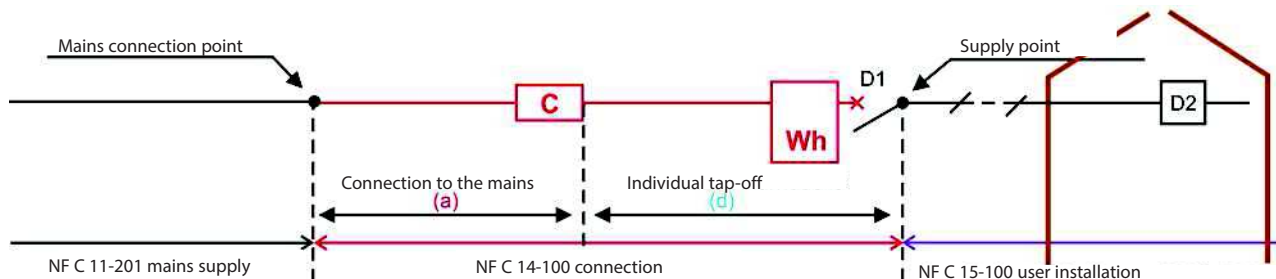


- If the supply point is located more than 30 m from the edge of the property, plate 4 011 81 is installed at the edge of the building with the meter and circuit breaker marked D1.



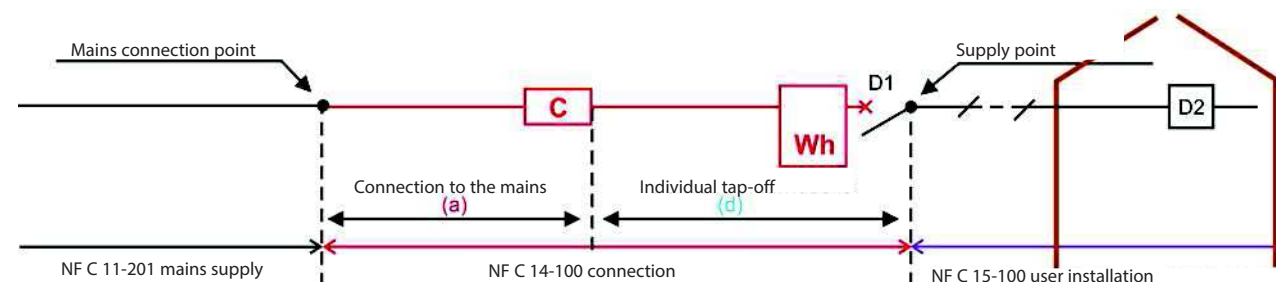
4.2.2 Example of using plate 4 011 91:

This plate is used when the supply point is inside the building (new or refurbishment). It must be installed (item D2) in the NFC 15-100 area since it is not certified for the NFC 14-100 area.



4.2.2 Example of using plate 4 011 82:

This plate must be used in refurbishment projects when the meter is not mounted on the same plate as the circuit breaker. It is used when the circuit breaker only and its plate are replaced in the NFC 14-100 area (since it is certified NFC 14-100). This is the same base as plate 4 011 81 with the meter power supply cable feedthroughs sealed (because they are not used) and without the meter power supply cables (because the meter is remotely located). Plate 4 011 82 is installed at item D1 on the diagram below (D2 denotes a 4 011 91 plate).



4. GENERAL CHARACTERISTICS (continued)

■ **4.3 Materials**

. Plate: high-impact polystyrene

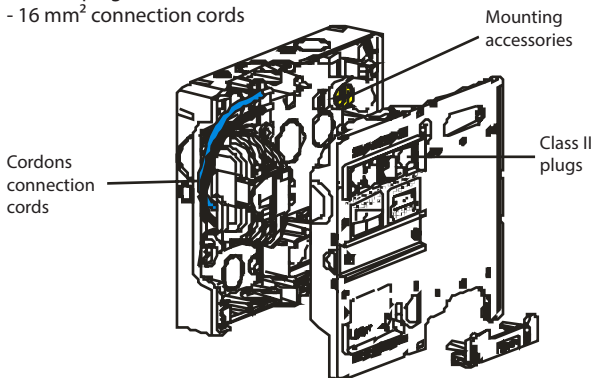
5. COMPLIANCE AND APPROVALS

Standards and approvals	4 011 81	4 011 82	4 011 84	4 011 91
ERDF-CPT-M&S Spe10015A	X			
ERDF-CPT-M&S Spe13006A		X	X	
NF C 61-910				X
RoHS	X	X	X	X
WEEE	X	X	X	X
REACH	X	X	X	X
PEP sheet	X	X	X	
NF				X

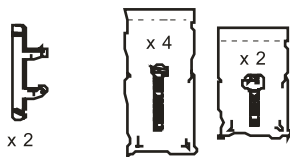
6. EQUIPEMENTS LIVRÉS

■ **6.1 Cat. No. 4 011 81**

- Mounting accessories
- Class II plugs
- 16 mm² connection cords

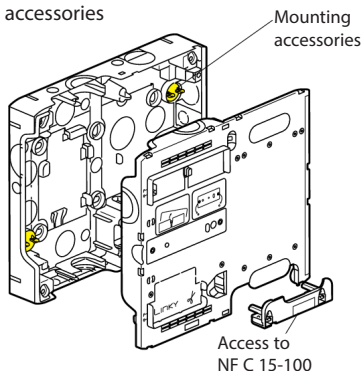


- Joining accessories and fixing screws

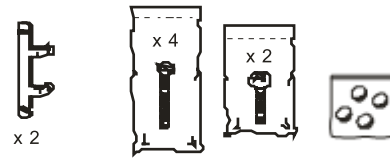


■ **6.2 Cat. No. 4 011 82**

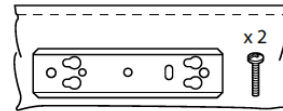
- Mounting accessories



- Joining accessories, fixing screws and plugs

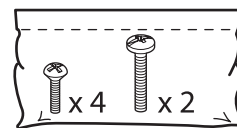


- Rail for CBE phase electronic meter



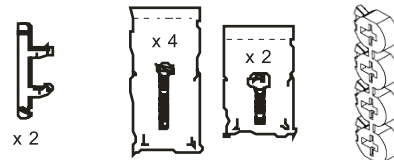
■ **6.3 Cat. No. 4 011 84**

- Fixing screws



■ **6.4 Cat. No. 4 011 91**

- Joining accessories, fixing screws and plugs



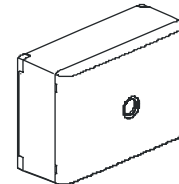
7. INSTALLATION ACCESSORIES

■ **7.1 18-module casing Cat. No. 4 011 89**

for plates 4 011 81 and 4 011 91

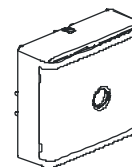
Supplied complete with white door.

PMay be fitted with transparent door Cat. No. 4 012 41



■ **7.2 13-module casing Cat. No. 4 011 85/88**

for plates 4 011 81 and 4 011 91



■ **7.3 Class II insulated backplate - Cat. No. 4 011 93**

For connection plate insulation and assembly only (Cat. No. 4 011 91) on 13-module trunking

