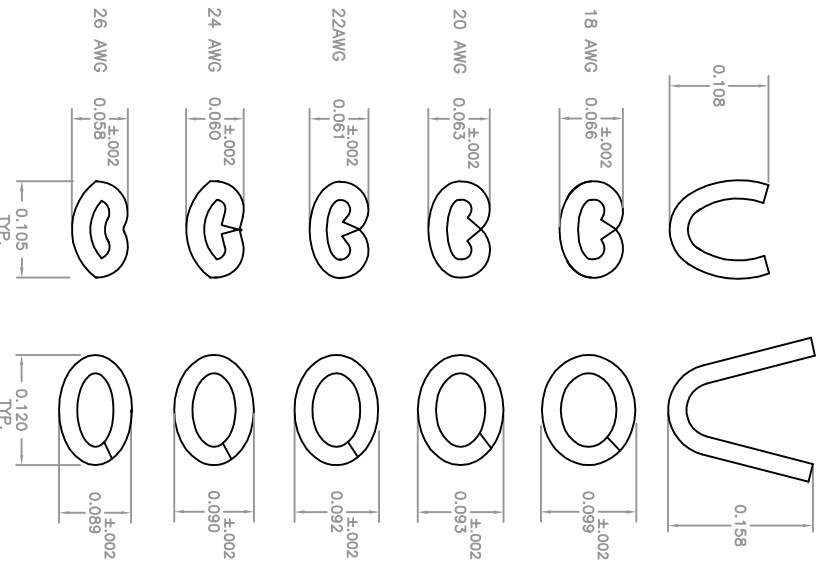
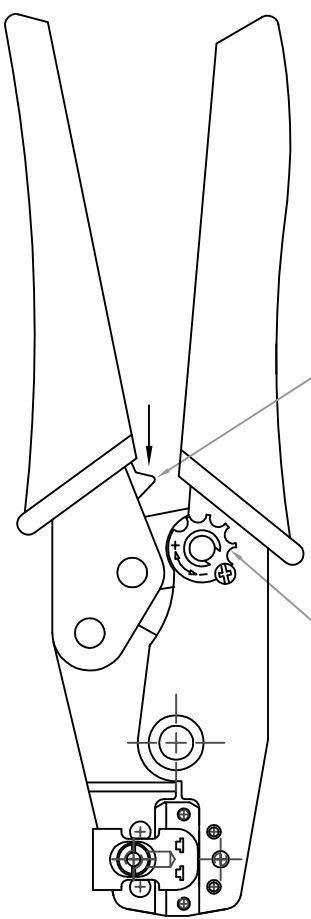


CONDUCTOR CRIMP FORM

INSULATOR CRIMP FORM



TO OPEN PARTIALLY CLOSED TOOL  
PUSH THIS LATCH IN THE DIRECTION  
OF THE ARROW.

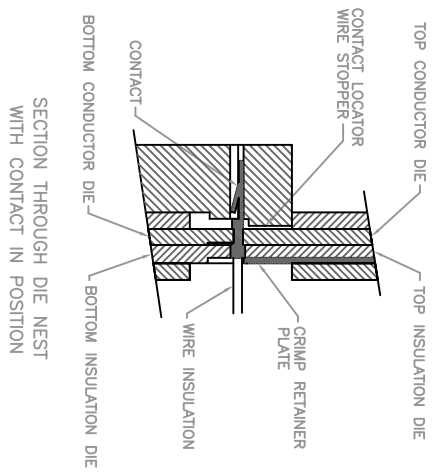


THIS IS A C.A.D. GENERATED DRAWING  
DO NOT MAKE MANUAL REVISIONS TO MASTER.



ISSUE NUMBER	1
ORIGINAL	2
CONDUCTOR & INSULATOR CRIMP FORMS ILLUSTRATION REMOVED. INSTRUCTIONS IN NOTE 4, TABLE DATA REVISED.	3
INSTRUCTIONS IN NOTE 4, TABLE DATA REVISED.	4
F. JAWDI	5
UPDATED TABLE DATA	6
UPDATED SHEET 2	7
K.L.I	8
AUG. 27,2020	9

WIRE AWG	CRIMP STRENGTH
18 AWG	40.0 LBS
20 AWG	25.0 LBS
22 AWG	15.0 LBS
24 AWG	10.0 LBS
26 AWG	5.0 LBS
28 AWG	3.0 LBS



NOTES:

- 1- THIS HAND TOOL IS DESIGNED FOR CRIMPING 18 TO 28 AWG WIRES TO EDAC CONTACT P/N 516-290-590.
- 2- RISK OF ELECTRIC SHOCK- DO NOT USE THIS ON LIVE WIRE.
- 3- CRIMPING INSTRUCTIONS:
  - OPEN THE TOOL, PLACE THE CONTACT INTO THE CORRECT DIE NEST.
  - PARTIALLY CLOSE THE TOOL UNTIL THE CONTACT IS HELD IN PLACE. INSERT THE WIRE INTO THE CONTACT.
  - CLOSE THE TOOL UNTIL THE RATCHET RELEASES. REMOVE THE CRIMPED CONTACT.
- 4- ADJUSTMENT OF CRIMP FORCE (WHEN NECESSARY):
  - LOOSEN THE SCREW
  - ADJUST THE STAR-WHEEL BY TURNING FROM (-) TO(+).
  - CHECK THE PRELOAD AND THE CRIMP FORCE.

TOOL PART NUMBER: 516-280-201

516 SERIES HAND CRIMP TOOL INSTRUCTIONS

ACAD REFERENCE NO. 51628211	DATE: DEC.8/97
DRAWN: F.BRIONES	CHECKED: DATE:
CHECKED: DATE:	SHEET 1 OF 2
SCALE: N.T.S.	ISSUE 3
DRAWING NUMBER 516-280-201	

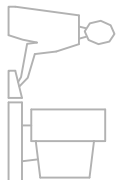
EDAC INC  
TORONTO, ONTARIO  
CANADA

**EDAC**

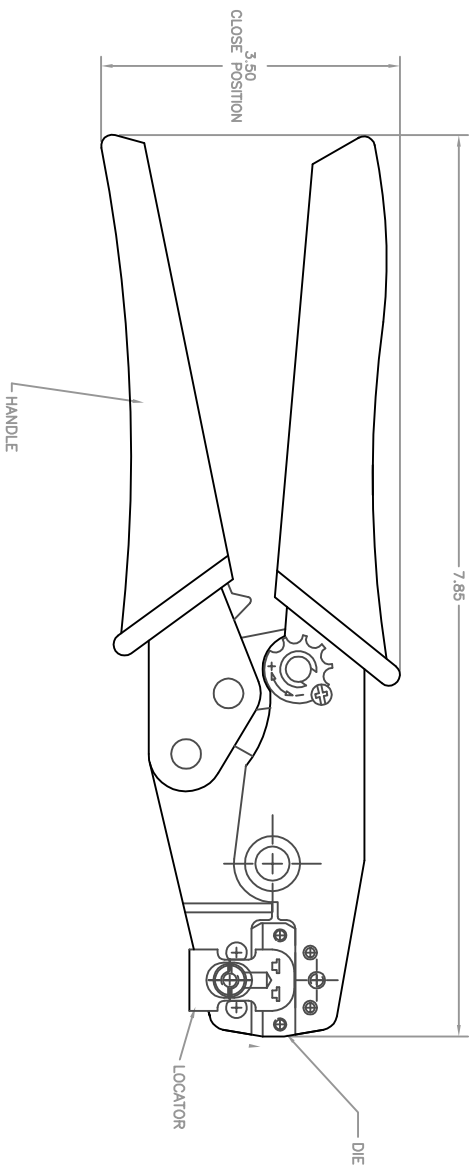
YOUR CONNECTION TO QUALITY & SERVICE

THESE DRAWINGS AND SPECIFICATIONS ARE THE PROPERTY OF EDAC INC. AND SHALL NOT BE REPRODUCED, OR COPIED OR USED AS THE BASIS FOR THE MANUFACTURE OR SALE OF APPARATUS WITHOUT WRITTEN PERMISSION.

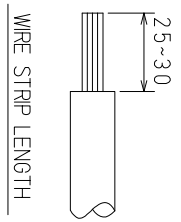
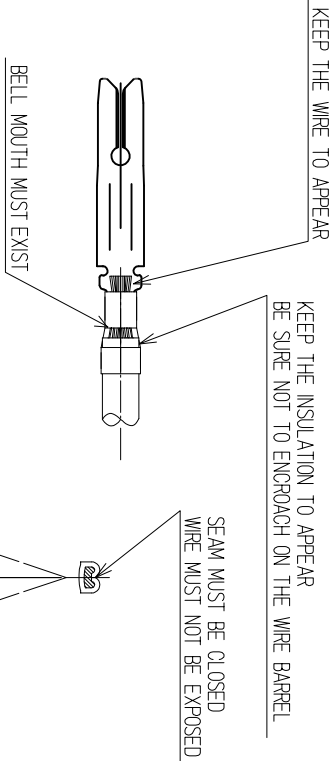
THIS IS A C.A.D. GENERATED DRAWING  
DO NOT MAKE MANUAL REVISIONS TO MASTER.



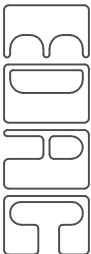
ISSUE NUMBER	①
ORIGINAL	
CONDUCTOR & INSULATOR	②
CRIMP FORMS ILLUSTRATION	REMOVED.
INSTRUCTIONS IN NOTE 4,	TABLE DATA REVISED.
F. JAWDI	FEB. 19,2002
UPDATED TABLE DATA	③
UPDATED SHEET 2	
KLI	AUG. 27,2020



TOOL ASM	LOCATOR
516-280-201	516-280-206



## 516 SERIES HAND CRIMP TOOL INSTRUCTIONS

	
EDAC INC TORONTO, ONTARIO CANADA	
YOUR CONNECTION TO QUALITY & SERVICE	
THESE DRAWINGS AND SPECIFICATIONS ARE THE PROPERTY OF EDAC INC. AND SHALL NOT BE REPRODUCED, OR COPIED OR USED AS THE BASIS FOR THE MANUFACTURE OR SALE OF APPARATUS WITHOUT WRITTEN PERMISSION.	

ACAD REFERENCE NO.	51628211
DRAWN: F. BRIONES	DATE: DEC.8/97
CHECKED:	DATE:
SCALE: N.T.S.	SHEET 2 OF 2
DRAWING NUMBER	516-280-201
	ISSUE 3

# Mouser Electronics

Authorized Distributor

Click to View Pricing, Inventory, Delivery & Lifecycle Information:

[EDAC:](#)

[516-280-201](#)