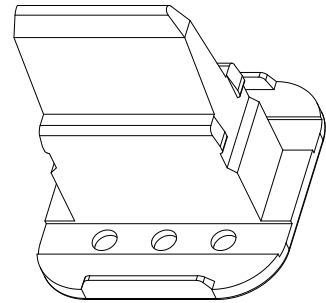
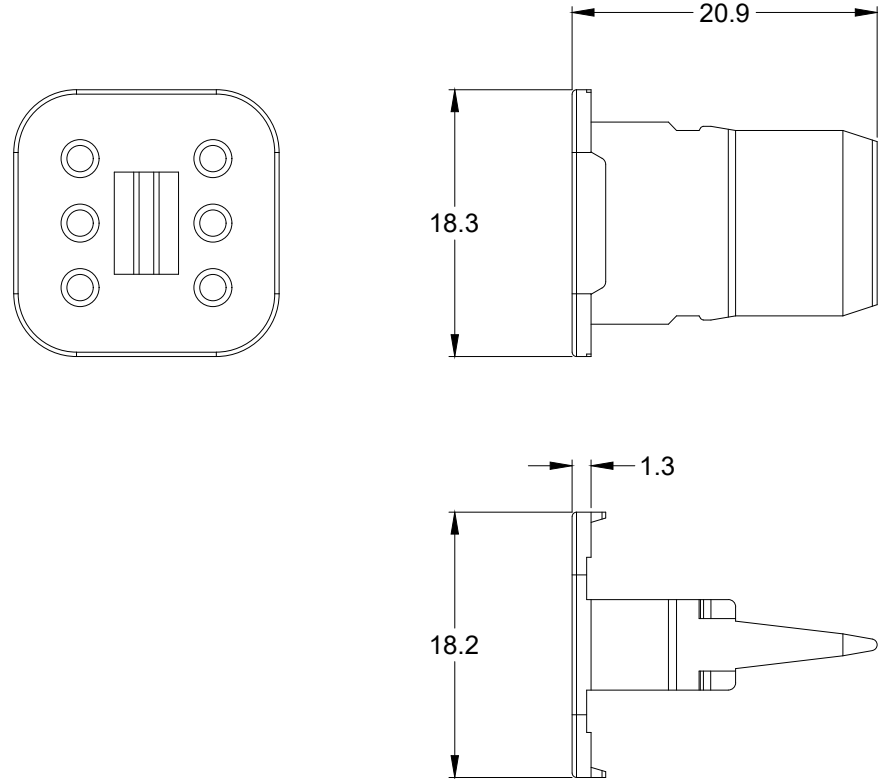



REVISIONS					
REV	ECO	DESCRIPTION	DATE	BY	APPR
A3	--	RELEASE NEW DWG FORMAT	18/SEP/13	DRP	
A4	--	UPDATE DRAWING	10/MAY/19	JOE	TOMMY



NOTES: UNLESS OTHERWISE SPECIFIED

1. MATERIAL: THERMOPLASTIC; COLOR: GREEN
2. RoHS COMPLIANT
3. CAVITIES: 6
4. KEYED: N/A
5. USE WITH CONNECTORS AT06-6S\*  
(\* = MODIFICATIONS AND COLORS)
6. ALL DIMENSIONS ARE FOR REFERENCE USE ONLY.

AW6S		DESCRIPTION		ITEM													
QUANTITY	PART NUMBER	DESCRIPTION		ITEM													
<b>MATERIALS LIST</b>																	
<b>UNLESS OTHERWISE SPECIFIED</b> 1) All dimensions are in metric(mm). 2) Tolerances are as follows: 1 PL DEC ±0.30      Fractions ±1/64 2 PL DEC ±0.15      Angles ±1° 3 PL DEC ±0.08 3) Note reference = 		<table border="1"> <thead> <tr> <th>SIGNATURES</th> <th>DATE</th> </tr> </thead> <tbody> <tr> <td>DRAWN: JOE</td> <td>10/MAY/19</td> </tr> <tr> <td>CHECKED: ORION</td> <td>10/MAY/19</td> </tr> <tr> <td>ENGINEER:</td> <td></td> </tr> <tr> <td>APPROVAL: TOMMY</td> <td>10/MAY/19</td> </tr> <tr> <td>CUSTOMER:</td> <td></td> </tr> </tbody> </table>		SIGNATURES	DATE	DRAWN: JOE	10/MAY/19	CHECKED: ORION	10/MAY/19	ENGINEER:		APPROVAL: TOMMY	10/MAY/19	CUSTOMER:		<h1>Amphenol</h1> <p>Sine Systems - www.amphenol-sine.com                      44724 Morley Drive                      Clinton Township, MI 48036</p>	
SIGNATURES	DATE																
DRAWN: JOE	10/MAY/19																
CHECKED: ORION	10/MAY/19																
ENGINEER:																	
APPROVAL: TOMMY	10/MAY/19																
CUSTOMER:																	
MATERIAL SPECIFICATIONS:		THIS DRAWING IS SUPPLIED FOR INFORMATION ONLY. DESIGN FEATURES, SPECIFICATIONS AND PERFORMANCE DATA SHOWN HEREON ARE THE PROPERTY OF THE AMPHENOL CORPORATION. NO RIGHTS OF REPRODUCTION ARE IMPLIED. ALL DIMENSIONS ARE SUBJECT TO NORMAL MANUFACTURING VARIATIONS.															
PROCESS SPECIFICATIONS:		SIZE: <b>A</b>	TYPE: <b>C-</b>	DWG NO: <b>AW6S</b>													
NEXT ASSY:		SCALE: <b>NONE</b>		REVISION: <b>A4</b>													
			SHEET <b>1</b> OF <b>1</b>														

# Mouser Electronics

Authorized Distributor

Click to View Pricing, Inventory, Delivery & Lifecycle Information:

[Amphenol:](#)

[AW6S](#)