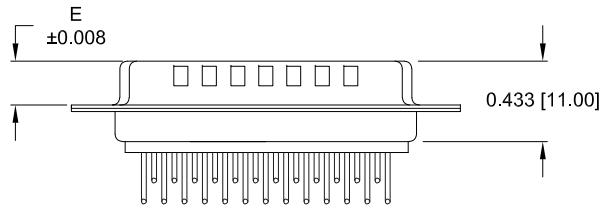
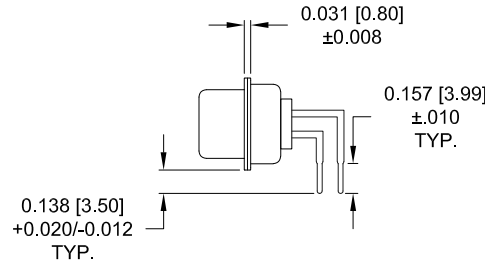
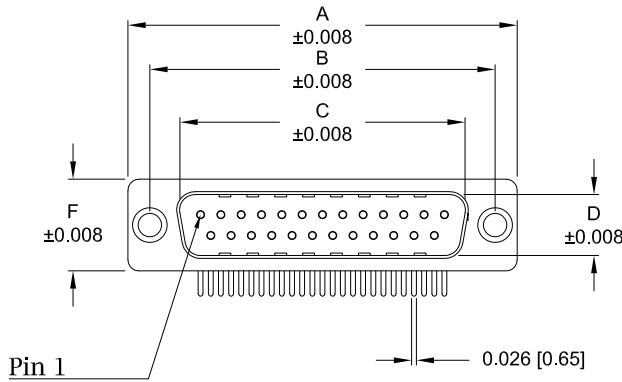


Description: 0.370" Right Angle / Machined

| Dimensions (inch/mm) | | | | | | |
|----------------------|-------|-------|-------|-------|-------|-------|
| Pins | A | B | C | D | E | F |
| 9 | 1.213 | 0.984 | 0.665 | 0.327 | 0.240 | 0.492 |
| | 30.80 | 25.00 | 16.90 | 8.30 | 6.10 | 12.50 |
| 15 | 1.543 | 1.311 | 0.994 | 0.327 | 0.240 | 0.492 |
| | 39.20 | 33.30 | 25.25 | 8.30 | 6.10 | 12.50 |
| 25 | 2.089 | 1.852 | 1.533 | 0.327 | 0.240 | 0.492 |
| | 53.05 | 47.05 | 38.95 | 8.30 | 6.10 | 12.50 |



Meets IP67 Standards

(See page 3 for sealing details)

Material:

- Shell: Nickel Plated Steel
- Insulator: UL 94V-O Rated, White PA6T
- Process Temperature: 260°C
- Contact: Precision Machined Copper Alloy
- Seal: Flexible F08 Adhesive

Electrical:

- Current Rating: 5 AMPS
- Contact Resistance: 10 mOhms Max.
- Insulation Resistance: 5 GOhms Min.
- Working Voltage: 250V
- Temperature: -55° C TO +125° C

774-EYY-11YRYY1

Series

Position

- E09
- E15
- E25

Gender

- 1 = Male

Termination

- 1 = PCB Mounting

Shell Plating

- 3 = Nickel

RoHS Compliant

Hardware Options

- 00 = No Hardware
- 01 = 0.098" Clinch Nut (Board Side)
- 14 = Standard Bracket with 4-40 Screwlock
- 24 = Standard Bracket with 4-40 Captive Screw
- 46 = Boardlock Bracket with 4-40 Insert

Plating Options

- 1 = Gold Flash
- 2 = 30µ" Gold
- 3 = 50µ" Gold

RoHS COMPLIANT

UNITS = inch [mm]

DO NOT SCALE FROM DRAWING



THESE DRAWINGS AND SPECIFICATIONS ARE THE PROPERTY OF NorComp AND SHALL NOT BE REPRODUCED, COPIED OR USED AS THE BASIS FOR THE MANUFACTURE OR SALE OF APPARATUS WITHOUT WRITTEN PERMISSION.

DRAWN:

C. Smith

DATE:

03/26/2009

NorComp

SCALE:

NTS

SHEET

1

OF

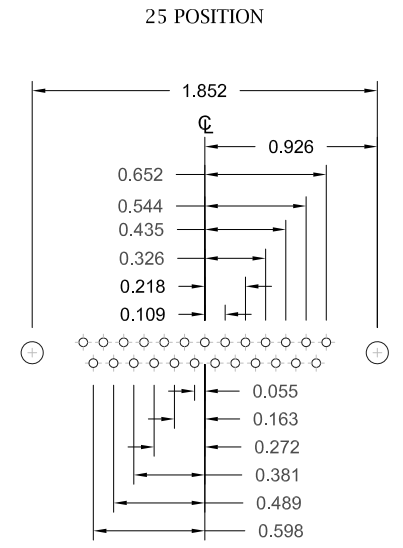
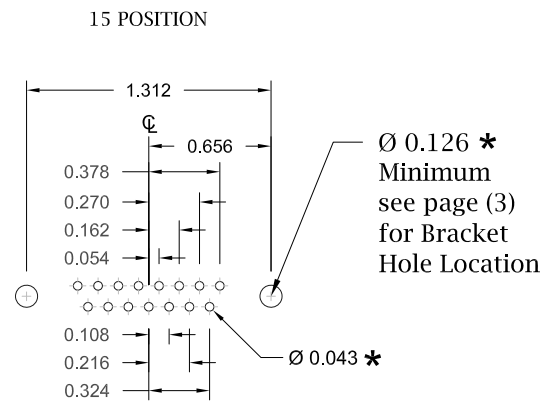
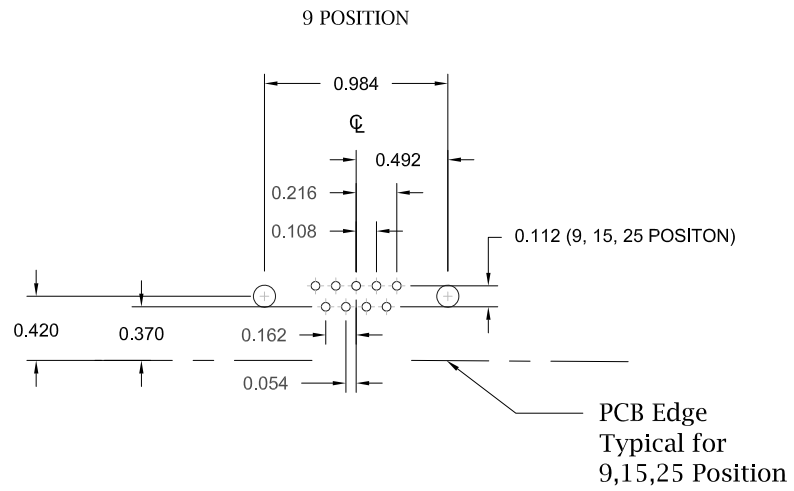
4

REV

10

DWG NO.

774-EYY-11YRYY1



* Typical Suggested Size
May Not Be Suitable For All Applications

RoHS COMPLIANT

UNITS = inch

DO NOT SCALE FROM DRAWING

NC

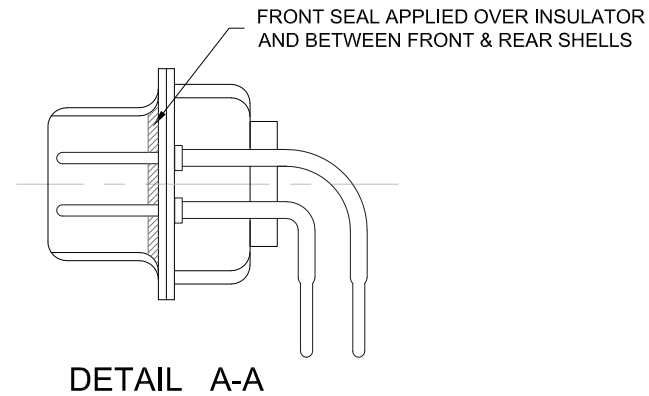
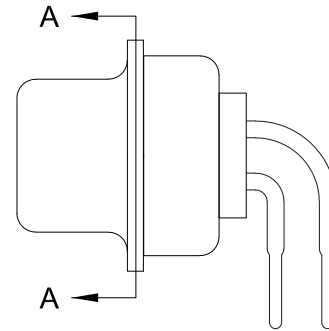
THESE DRAWINGS AND SPECIFICATIONS ARE THE PROPERTY OF NorComp AND SHALL NOT BE REPRODUCED, COPIED OR USED AS THE BASIS FOR THE MANUFACTURE OR SALE OF APPARATUS WITHOUT WRITTEN PERMISSION.

DRAWN:
C. Smith

DATE:
03/26/2009

NorComp

| | | | |
|---------------|------------|-----------------|-----------|
| SCALE: NTS | SHEET 2 | OF 4 | REV 10 |
| DWG NO. | | 774-EYY-11YRYY1 | |



RoHS COMPLIANT

DO NOT SCALE FROM DRAWING



THESE DRAWINGS AND SPECIFICATIONS ARE THE PROPERTY OF NorComp AND SHALL NOT BE REPRODUCED, COPIED OR USED AS THE BASIS FOR THE MANUFACTURE OR SALE OF APPARATUS WITHOUT WRITTEN PERMISSION.

DRAWN:

C. Smith

DATE:

03/26/2009

NorComp

SCALE:
NTS

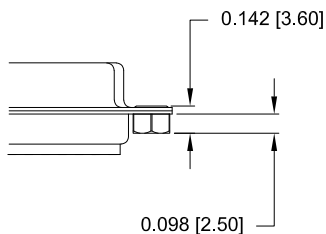
SHEET OF
3 4

REV
10

DWG NO.

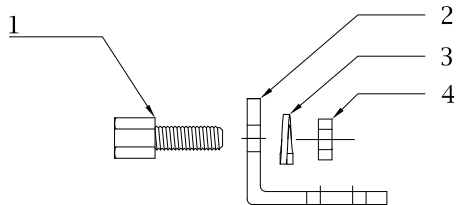
774-EYY-11YRYY1

01 Hardware Option
0.098" Clinch Nut (Board Side)



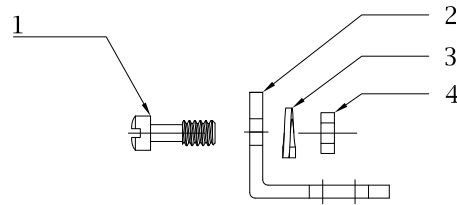
Clinch Nut has 4-40 Internal Threads

| 14 Hardware Option | | |
|--------------------|----------------|---------------------|
| | Description | NorComp Part Number |
| 1 | 4-40 Screwlock | SFSO4401NR |
| 2 | Bracket | K501CZ |
| 3 | Lock Washer | LW1T |
| 4 | 4-40 Nut | N4401N |



**Search Hardware Part Number To Obtain Technical Specifications.

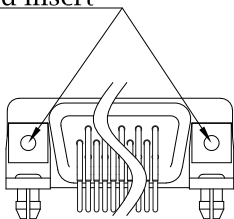
| 24 Hardware Option | | |
|--------------------|--------------------|---------------------|
| | Description | NorComp Part Number |
| 1 | 4-40 Captive Screw | SSH4401T |
| 2 | Bracket | K501CZ |
| 3 | Lock Washer | LW1T |
| 4 | 4-40 Nut | N4401N |



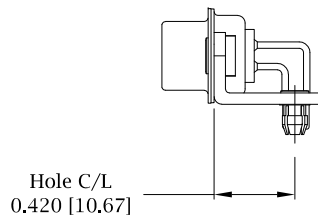
**Search Hardware Part Number To Obtain Technical Specifications.

46 Hardware Option
Boardlock Bracket and 4-40 Insert

#4-40 Threaded Insert



9-25 Position Connector Boardlock Bracket



Boardlock Brackets Come Assembled On Connector

RoHS COMPLIANT

UNITS = inch [mm]

DO NOT SCALE FROM DRAWING



THESE DRAWINGS AND SPECIFICATIONS ARE THE PROPERTY OF NorComp AND SHALL NOT BE REPRODUCED, COPIED OR USED AS THE BASIS FOR THE MANUFACTURE OR SALE OF APPARATUS WITHOUT WRITTEN PERMISSION.

DRAWN:
C. Smith
DATE:
03/26/2009

NorComp

| | | | |
|---------------|------------|-----------------------|-----------|
| SCALE: NTS | SHEET 4 | OF 4 | REV 10 |
| DWG NO. | | 774-EYY-11YRY1 | |

Mouser Electronics

Authorized Distributor

Click to View Pricing, Inventory, Delivery & Lifecycle Information:

[NorComp:](#)

[774-E09-113R001](#) [774-E15-113R001](#) [774-E25-113R001](#) [774-E15-113R141](#) [774-E15-113R011](#) [774-E09-113R141](#)
[774-E09-113R011](#) [774-E25-113R011](#) [774-E25-113R141](#) [774-E09-113R461](#) [774-E15-113R461](#) [774-E25-113R461](#)