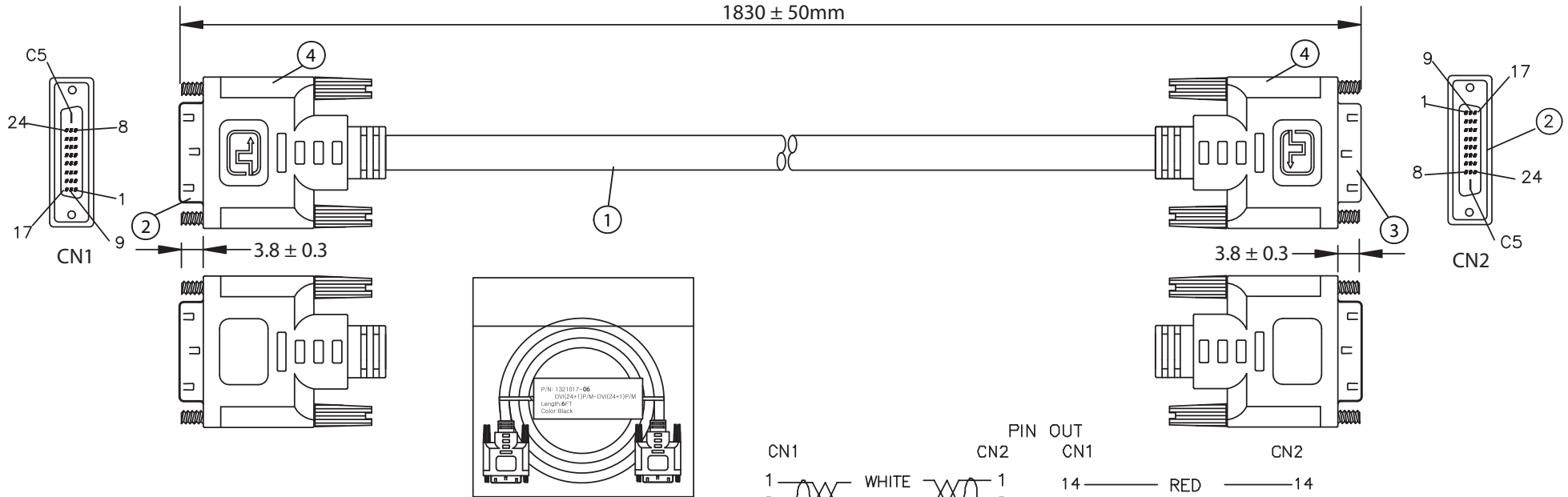


THESE DRAWINGS ARE THE PROPERTY OF QUALTEK ELECTRONICS AND NOT TO BE REPRODUCED FOR OR COMMUNICATED TO A THIRD PARTY WITHOUT THE EXPRESS WRITTEN PERMISSION OF AN OFFICER OF QUALTEK ELECTRONICS.

REVISION			
REV.	DESCRIPTION	DATE	APPROVED
B	Updated Pin out Notes and Graphics	07-21-16	LY
C	Updated Pin out	06-05-17	LY



NOTES:

- CABLE: UL20276
(28AWG*1PR+EAM)*7+28AWG*1PR+28AWG*3C+AEB(AL) 65%
OUTER JACKET: BLACK, OD: 8.5 ± 0.2mm
- CONNECTOR: DVI 24+1 MALE
INSULATOR: BLACK
PIN G/F
NICKEL PLATED SHELL
THUMB SCREW: 2.8*32.5 4-40UNC
- CONNECTOR: DVI 24+1 MALE
INSULATOR: BLACK
PIN G/F
NICKEL PLATED SHELL
THUMB SCREW: 2.8*32.5 4-40UNC
- PVC MOLDED: COLOR V398 30P BLACK
- ELECTRICAL TEST:
<1>.100% OPEN SHORT & MISS WIRE TEST
<2>.INSULATION RESISTANCE: AC300V DC400V 10M ohm MIN.
<3>.CONDUCTOR RESISTANCE: 3 ohm MAX.
- PACKING: 1PC/POLYBAG

PIN OUT			
CN1	CN2	CN1	CN2
1 — WHITE	1 — WHITE	14 — RED	14 — RED
2 — GREEN	2 — GREEN	15 — VIOLET	15 — VIOLET
3 — DRAIN	3 — DRAIN	16 — WHITE	16 — WHITE
4 — DRAIN	4 — DRAIN	17 — PINK	17 — PINK
5 — BLUE	5 — BLUE	18 — ORANGE	18 — ORANGE
6 — YELLOW	6 — YELLOW	19 — DRAIN	19 — DRAIN
7 — ORANGE	7 — ORANGE	20 — DRAIN	20 — DRAIN
9 — WHITE	9 — WHITE	21 — BLACK	21 — BLACK
10 — RED	10 — RED	22 — GRAY	22 — GRAY
11 — DRAIN	11 — DRAIN	23 — DRAIN	23 — DRAIN
12 — DRAIN	12 — DRAIN	24 — LIGHT-BLUE	24 — LIGHT-BLUE
13 — WHITE	13 — WHITE		
13 — BROWN	13 — BROWN		
		SHELL — BRAID & DRAIN	SHELL — BRAID & DRAIN

CONTROLLED

Dim range (mm)	Tolerance +/- (mm)	Qualtek Electronics Corp. WCI DIVISION		
		Part Number: 1321017-06	RoHS Compliant	
0-1	0.15	Description: DVI (24+1)P/M - DVI (24+1)P/M		
1-6	0.20			
6-18	0.30			
18-50	0.50			
50-120	0.70			
120-250	0.90	UNIT: mm	REV. C	
250-500	1.20	Drawn / Date	Checked / Date	Approved / Date
		B. Grubb 01-03-07	01-03-07	JJH / 01-03-07