



# MICRF220

## 300MHz to 450MHz, 3.3V ASK/OOK Receiver with RSSI and Squelch

### General Description

The MICRF220 is a 300MHz to 450MHz super-heterodyne, image-reject, RF receiver with automatic gain control, ASK/OOK demodulator, analog RSSI output, and integrated squelch features. It only requires a crystal and a minimum number of external components to implement. The MICRF220 is ideal for low-cost, low-power, RKE, TPMS, and remote actuation applications.

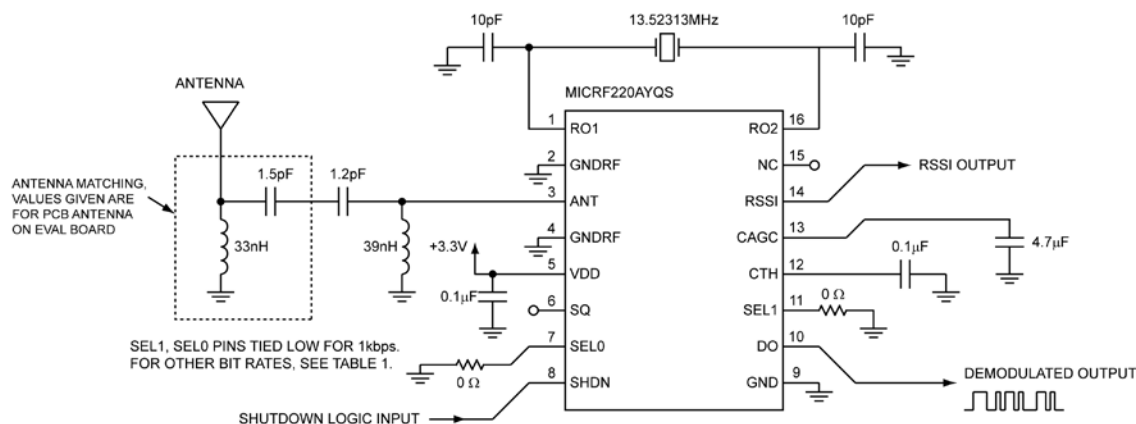
The MICRF220 achieves  $-110\text{dBm}$  sensitivity at a bit rate of 1kbps with 0.1% BER. Four demodulator filter bandwidths are selectable in binary steps from 1625Hz to 13kHz at 433.92MHz, allowing the device to support bit rates up to 20kbps. The device operates from a supply voltage of 3.0V to 3.6V, and typically consumes 4.3mA of supply current at 315MHz and 6.0mA at 433.92MHz. A shutdown mode reduces supply current to  $0.1\mu\text{A}$  typical. The squelch feature decreases the activity on the data output pin until valid bits are detected while maintaining overall receiver sensitivity.

Datasheets and support documentation can be found on Micrel's website at: [www.micrel.com](http://www.micrel.com).

### Features

- $-110\text{dBm}$  sensitivity at 1kbps with 0.1% BER
- Supports bit rates up to 20kbps at 433.92MHz
- 25dB image-reject mixer
- No IF filter required
- 60dB analog RSSI output range
- 3.0V to 3.6V supply voltage range
- 4.3mA supply current at 315MHz
- 6.0mA supply current at 434MHz
- $0.1\mu\text{A}$  supply current in shutdown mode
- Data output squelch until valid bits detected
- 16-pin QSOP package (4.9mm x 6.0mm)
- $-40^\circ\text{C}$  to  $+105^\circ\text{C}$  temperature range
- 3kV HBM ESD Rating

### Typical Application

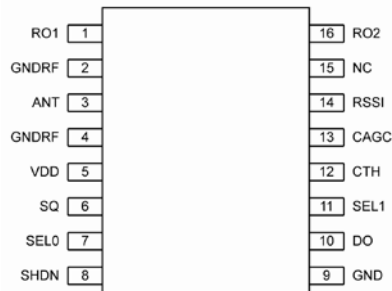


433.92MHz, 1kbps Operation

## Ordering Information

| Part Number  | Temperature Range | Package     |
|--------------|-------------------|-------------|
| MICRF220AYQS | -40°C to +105°C   | 16-Pin QSOP |

## Pin Configuration



MICRF220AYQS

## Pin Description

| Pin Number | Pin Name | Pin Function   |
|------------|----------|--|
| 1          | RO1      | Reference resonator connection to the Pierce oscillator. May also be driven by external reference signal of 200mVp-p to 1.5V p-p amplitude maximum. Internal capacitance of 7pF to GND during normal operation.                      |
| 2          | GNDRF    | Ground connection for ANT RF input. Connect to PCB ground plane.   |
| 3          | ANT      | Antenna Input: RF Signal Input from Antenna. Internally AC coupled. It is recommended to use a matching network with an inductor-to-RF ground to improve ESD protection.   |
| 4          | GNDRF    | Ground connection for ANT RF input. Connect to PCB ground plane.   |
| 5          | VDD      | Positive supply connection for all chip functions. Bypass with 0.1μF capacitor located as close to the VDD pin as possible.  |
| 6          | SQ       | Squelch Control Logic-Level Input. An internal pull-up (5μA typical) pulls the logic-input HIGH when the device is enabled. A logic LOW on SQ squelches, or reduces, the random activity on DO pin when there is no RF input signal. |
| 7          | SEL0     | Demodulator Filter Bandwidth Select Logic-Level Input. This pin has an internal pull-up (3μA typical) when the chip is on. Use in conjunction with SEL1 to control demodulation bandwidth.   |
| 8          | SHDN     | Shutdown Control Logic-Level Input. A logic-level LOW enables the device. A logic-level HIGH places the device in low-power shutdown mode. An internal pull-up (5μA typical) pulls the logic input HIGH.                             |
| 9          | GND      | Ground connection for all chip functions except for RF input. Connect to PCB ground plane.   |
| 10         | DO       | Data Output. Demodulated data output. A current limited CMOS output during normal operation, 25kΩ pull-down is present when device is in shutdown.   |
| 11         | SEL1     | Demodulator Filter Bandwidth Select Logic-Level Input. This pin has an internal pull-up (3μA typical) when the chip is on. Use in conjunction with SEL0 to Demodulation bandwidth.   |
| 12         | CTH      | Demodulation Threshold Voltage Integration Capacitor. Connect a 0.1μF capacitor from CTH pin-to-GND to provide a stable slicing threshold.   |
| 13         | CAGC     | AGC Filter Capacitor. Connect a capacitor from this pin to GND. Refer to the <i>AGC Loop and CAGC</i> section for information on the capacitor value.  |
| 14         | RSSI     | Received Signal Strength Indicator. The voltage on this pin is an inversed amplified version of the voltage on CAGC. Output is from a switched capacitor integrating op amp with 250Ω typical output impedance.                      |
| 15         | NC       | No Connect. Leave this pin floating.   |
| 16         | RO2      | Reference resonator connection to the Pierce oscillator. Internal capacitance of 7pF to GND during normal operation.   |

**Absolute Maximum Ratings<sup>(1)</sup>**

|   |                          |
|---|--------------------------|
| Supply Voltage ( $V_{DD}$ )             | +5V                      |
| ANT, SQ, SEL0, SEL1,<br>SHDN DC Voltage | -0.3V to $V_{DD} + 0.3V$ |
| Junction Temperature                    | +150°C                   |
| Lead Temperature (soldering, 10sec.)    | +300°C                   |
| Storage Temperature                     | -65°C to +150°C          |
| Maximum Receiver Input Power            | +10dBm                   |
| ESD Rating <sup>(3)</sup>               | 3kV HBM                  |

**Operating Ratings<sup>(2)</sup>**

|   |                          |
|---|--------------------------|
| Supply Voltage ( $V_{DD}$ )             | +3.0V to +3.6V           |
| Ambient Temperature ( $T_A$ )           | -40°C to +105°C          |
| ANT, SQ, SEL0, SEL1,<br>SHDN DC Voltage | -0.3V to $V_{DD} + 0.3V$ |
| Maximum Input RF Power                  | 0 dBm                    |
| Receive Modulation Duty Cycle           | 20~80%                   |
| Frequency Range                         | 300MHz to 450MHz         |

**Electrical Characteristics**

$V_{DD} = 3.3V$ ,  $V_{SHDN} = GND = 0V$ , SQ = open,  $C_{CAGC} = 4.7\mu F$ ,  $C_{CTH} = 0.1\mu F$ , unless otherwise noted. **Bold** values indicate  $-40^\circ C \leq T_A \leq 105^\circ C$ . "Bit rate" refers to the encoded bit rate throughout this datasheet (see Note 4).

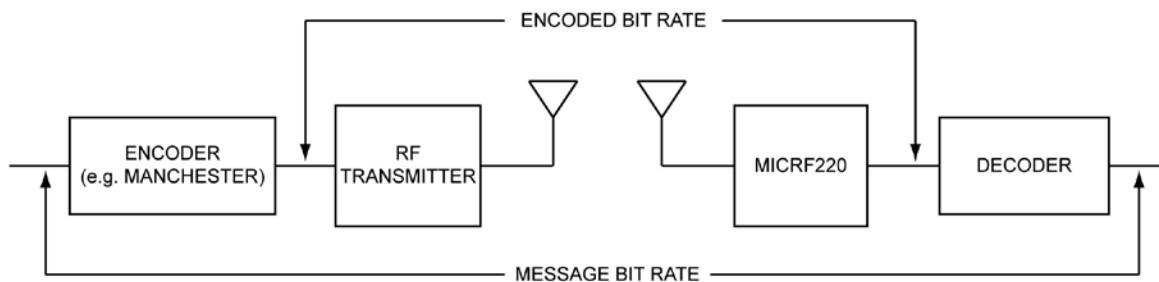
| Parameter                                     | Condition  | Min. | Typ.     | Max. | Units      |
|---|--|------|----------|------|------------|
| Operating Supply Current                      | Continuous Operation, $f_{RF} = 315MHz$                  |      | 4.3      |      | mA         |
|   | Continuous Operation, $f_{RF} = 433.92MHz$               |      | 6.0      |      |            |
| Shutdown Current                              | $V_{SHDN} = V_{DD}$                                      |      | 0.1      |      | $\mu A$    |
| <b>Receiver</b>                               |  |      |          |      |            |
| Conducted Receiver Sensitivity@1kbps (Note 5) | 433.92MHz, $V_{SEL1} = V_{SEL0} = 0V$ , BER = 1%         |      | -112.5   |      | dBm        |
|   | 433.92MHz, $V_{SEL1} = V_{SEL0} = 0V$ , BER = 0.1%       |      | -110     |      |            |
|   | 315MHz, $V_{SEL1} = 0V$ , $V_{SEL0} = 3.3V$ , BER = 1%   |      | -112.5   |      |            |
|   | 315MHz, $V_{SEL1} = 0V$ , $V_{SEL0} = 3.3V$ , BER = 0.1% |      | -110     |      |            |
| Image Rejection                               | $f_{IMAGE} = f_{RF} - 2f_{IF}$                           |      | 25       |      | dB         |
| IF Center Frequency ( $f_{IF}$ )              | $f_{RF} = 315MHz$  |      | 0.85     |      | MHz        |
|   | $f_{RF} = 433.92MHz$                                     |      | 1.18     |      |            |
| -3dB IF Bandwidth                             | $f_{RF} = 315MHz$  |      | 235      |      | kHz        |
|   | $f_{RF} = 433.92MHz$                                     |      | 330      |      |            |
| CAGC Voltage Range                            | -40dBm RF input level                                    |      | 1.15     |      | V          |
|   | -100dBm RF input level                                   |      | 1.55     |      |            |
| <b>Reference Oscillator</b>                   |  |      |          |      |            |
| Reference Oscillator Frequency                | $f_{RF} = 315 MHz$                                       |      | 9.81713  |      | MHz        |
|   | $f_{RF} = 433.92 MHz$                                    |      | 13.52313 |      |            |
| Reference Buffer Input Impedance              | RO1 when driven externally                               |      | 1.6      |      | k $\Omega$ |
| Reference Oscillator Bias Voltage             | RO2  |      | 1.15     |      | V          |
| Reference Oscillator Input Range              | External input, AC couple to RO1                         | 0.2  |          | 1.5  | $V_{P-P}$  |
| Reference Oscillator Source Current           | $V_{RO1} = 0V$   |      | 300      |      | $\mu A$    |

## Electrical Characteristics (Continued)

| Parameter                            | Condition   | Min.        | Typ.       | Max.        | Units         |
|--------------------------------------|---|-------------|------------|-------------|---------------|
| <b>Demodulator</b>                   |   |             |            |             |               |
| CTH Source Impedance, Note 6         | $f_{REF} = 9.81713\text{MHz}$   |             | 165        |             | k $\Omega$    |
|                                      | $f_{REF} = 13.52313\text{MHz}$  |             | 120        |             |               |
| CTH Leakage Current In CTH Hold Mode | $T_A = +25^\circ\text{C}$   |             | 1          |             | nA            |
|                                      | $T_A = +105^\circ\text{C}$  |             | 10         |             |               |
| <b>Digital / Control Functions</b>   |   |             |            |             |               |
| DO Pin Output Current                | As output source @ $0.8 V_{DD}$<br>As output sink @ $0.2 V_{DD}$                            |             | 300<br>680 |             | $\mu\text{A}$ |
| Output Rise Time                     | 15pF load on DO pin, transition time between $0.1xV_{DD}$ and $0.9xV_{DD}$                  |             | 600        |             | ns            |
| Output Fall Time                     |   |             | 200        |             |               |
| Input High Voltage                   | SHDN, SEL0, SEL1, SQ  | $0.8V_{DD}$ |            |             | V             |
| Input Low Voltage                    | SHDN, SEL0, SEL1, SQ  |             |            | $0.2V_{DD}$ | V             |
| Output Voltage High                  | DO  | $0.8V_{DD}$ |            |             | V             |
| Output Voltage Low                   | DO  |             |            | $0.2V_{DD}$ | V             |
| <b>RSSI</b>                          |   |             |            |             |               |
| RSSI DC Output Voltage Range         | $-110\text{dBm}$ RF input level   |             | 0.5        |             | V             |
|                                      | $-50\text{dBm}$ RF input level  |             | 2.0        |             |               |
| RSSI Output Current                  | $5\text{k}\Omega$ load to GND, $-50\text{dBm}$ RF input level                               |             | 400        |             | $\mu\text{A}$ |
| RSSI Output Impedance                |   |             | 250        |             | $\Omega$      |
| RSSI Response Time                   | $V_{SEL0} = V_{SEL1} = 0\text{V}$ , RF input power stepped from no input to $-50\text{dBm}$ |             | 10         |             | ms            |

### Notes:

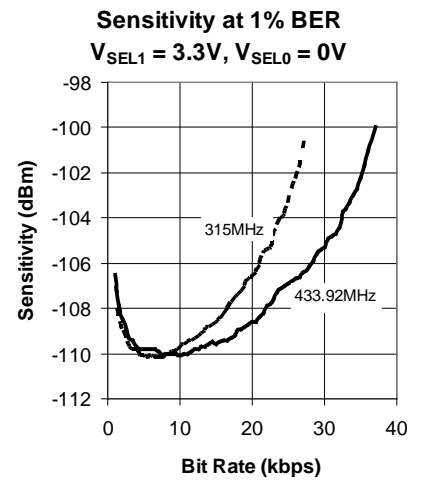
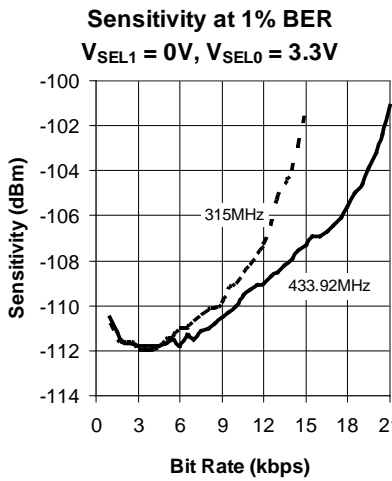
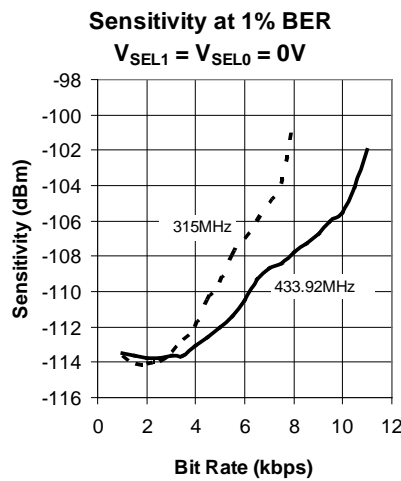
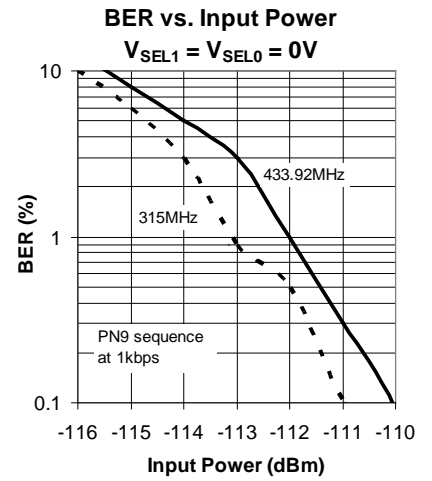
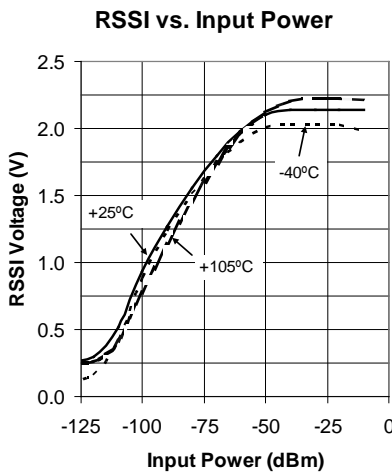
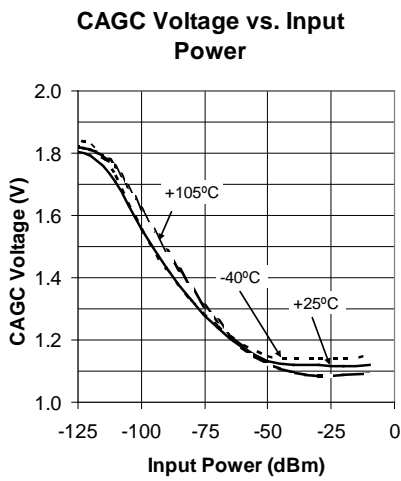
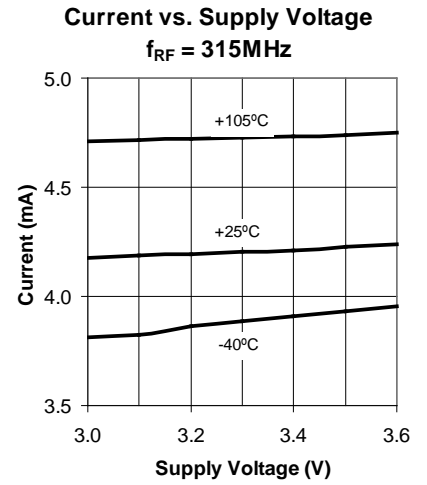
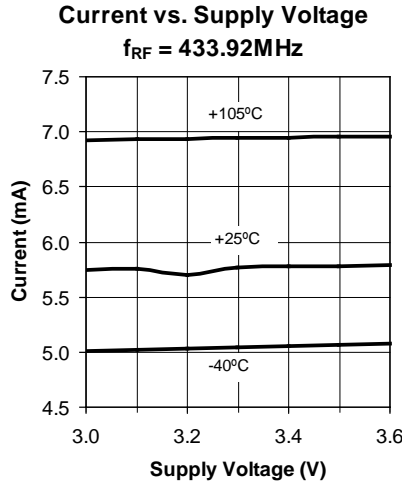
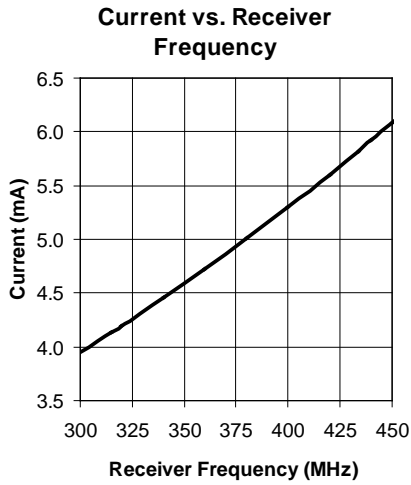
- Exceeding the absolute maximum rating may damage the device.
- The device is not guaranteed to function outside of its operating rating.
- Device is ESD sensitive. Use appropriate ESD precautions. Exceeding the absolute maximum rating may damage the device.
- Encoded bit rate is  $1/(\text{shortest pulse duration})$  that appears at MICRF220 DO pin.



- In an ON/OFF keyed (OOK) signal, the signal level goes between a "mark" level (when the RF signal is ON) and a "space" level (when the RF signal is OFF). Sensitivity is defined as the input signal level when "ON" necessary to achieve a specified BER (bit error rate). BER measured with the built-in BERT function in Agilent E4432B using the PN9 sequence. Sensitivity measurement values are obtained using an input matching network corresponding to 315MHz or 433.92MHz.
- CTH source impedance is inversely proportional to the reference frequency. In production testing, the typical source impedance value is verified with 12MHz reference frequency.

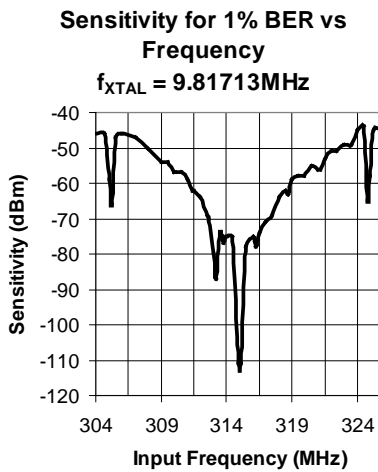
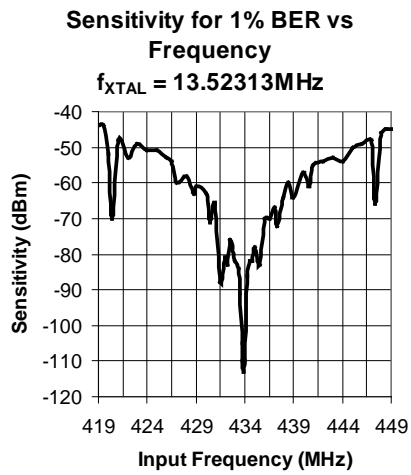
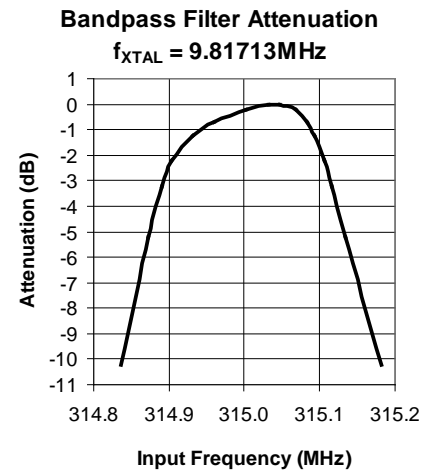
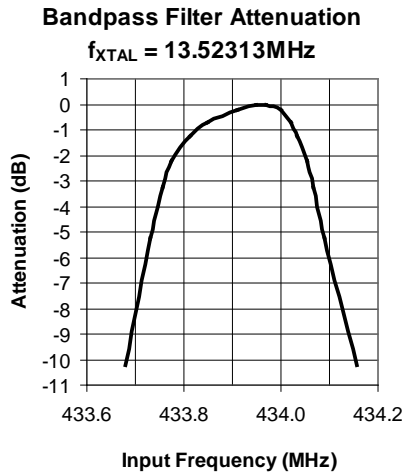
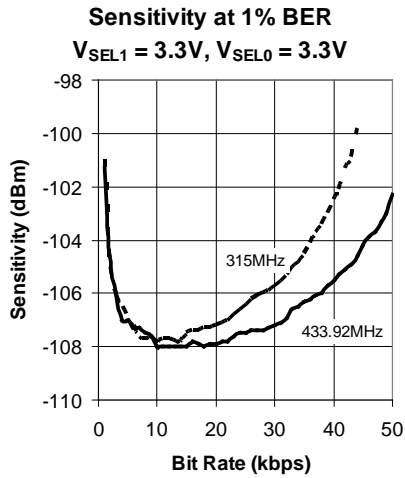
# Typical Characteristics

$V_{DD} = 3.3V$ ,  $T_A = +25^\circ C$ , BER measured with PN9 sequence, unless otherwise noted.



## Typical Characteristics (Continued)

$V_{DD} = 3.3V$ ,  $T_A = +25^\circ C$ , BER measured with PN9 sequence, unless otherwise noted.



### Functional Diagram

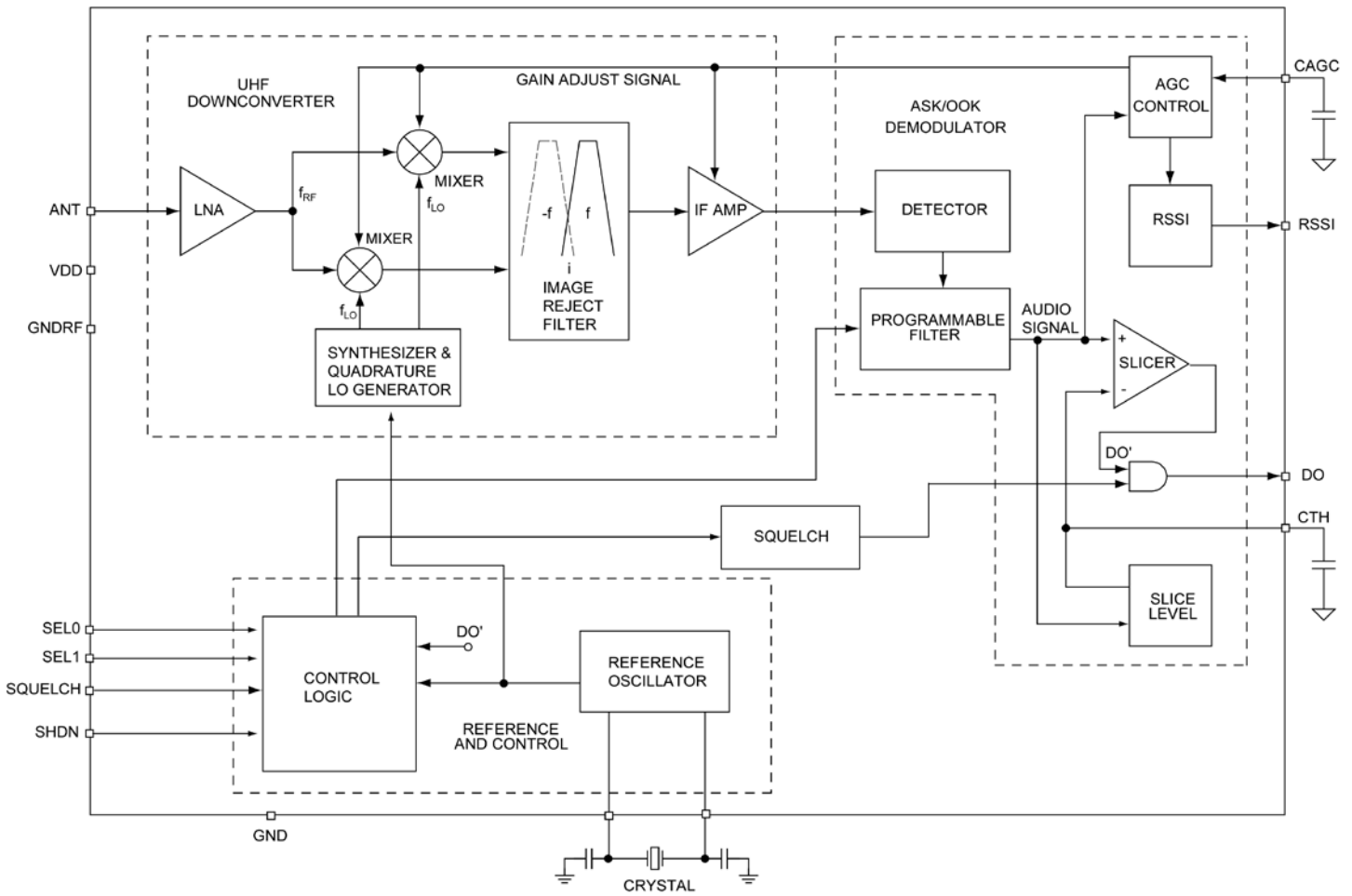


Figure 1. Simplified Block Diagram

## Functional Description

The simplified block diagram (Figure 1) illustrates the basic structure of the MICRF220 receiver. It is made up of four sub-blocks:

- UHF Down-Converter
- ASK/OOK Demodulator
- Reference and Control logic
- Squelch Control

Outside the device, the MICRF220 receiver requires just a few components to operate: a capacitor from CAGC to GND, a capacitor from CTH-to-GND, a reference crystal resonator with associated loading capacitors, LNA input matching components, and a power-supply decoupling capacitor.

## Receiver Operation

### UHF Downconverter

The UHF down-converter has six sub-blocks: LNA, mixers, synthesizer, image reject filter, band pass filter and IF amplifier.

### LNA

The RF input signal is AC-coupled into the gate of the LNA input device. The LNA configuration is a cascaded common source NMOS amplifier. The amplified RF signal is then fed to the RF ports of two double balanced mixers.

### Mixers and Synthesizer

The LO ports of the mixers are driven by quadrature local oscillator outputs from the synthesizer block. The local oscillator signal from the synthesizer is placed on the low side of the desired RF signal (Figure 2). The product of the incoming RF signal and local oscillator signal will yield the IF frequency, which will be demodulated by the detector of the device. The image reject mixer suppresses the image frequency which is below the wanted signal by two times the IF frequency. The local oscillator frequency ( $f_{LO}$ ) is set to 32 times the crystal reference frequency ( $f_{REF}$ ) via a phase-locked loop synthesizer with a fully-integrated loop filter:

$$f_{LO} = 32 \times f_{REF} \quad \text{Eq. 1}$$

MICRF220 uses an IF frequency scheme that scales the IF frequency ( $f_{IF}$ ) with  $f_{REF}$  according to:

$$f_{IF} = f_{REF} \times \frac{87}{1000} \quad \text{Eq. 2}$$

Therefore, the reference frequency  $f_{REF}$  needed for a given desired RF frequency ( $f_{RF}$ ) is approximately:

$$f_{REF} = f_{RF} / \left( 32 + \frac{87}{1000} \right) \quad \text{Eq. 3}$$

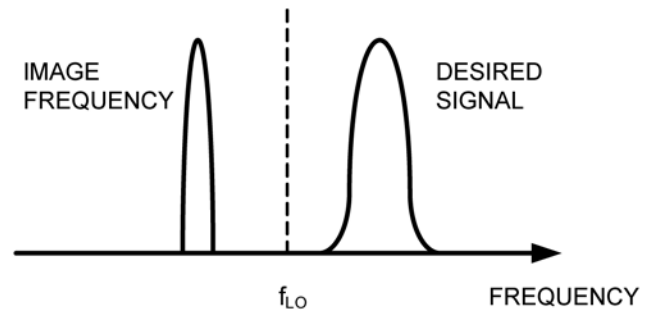


Figure 2. Low-Side Injection Local Oscillator

### Image-Reject Filter and Band-Pass Filter

The IF ports of the mixer produce quadrature-down converted IF signals. These IF signals are low-pass filtered to remove higher-frequency products prior to the image reject filter where they are combined to reject the image frequency. The IF signal then passes through a third order band pass filter. The IF bandwidth is 330kHz @ 433.92MHz, and will scale with RF operating frequency according to:

$$BW_{IF} = BW_{IF@433.92 \text{ MHz}} \times \left( \frac{\text{Operating Freq (MHz)}}{433.92} \right) \quad \text{Eq. 4}$$

These filters are fully integrated inside the MICRF220.

After filtering, four active gain controlled amplifier stages enhance the IF signal to its proper level for demodulation.

### ASK/OOK Demodulator

The demodulator section is comprised of detector, programmable low pass filter, slicer, and AGC comparator.



### Detector and Programmable Low-Pass Filter

The demodulation starts with the detector removing the carrier from the IF signal. Post detection, the signal becomes baseband information. The low-pass filter further enhances the baseband signal. There are four selectable low-pass filter BW settings; 1625Hz, 3250Hz, 6500Hz, and 13000Hz for 433.92MHz operation. The low-pass filter BW is directly proportional to the crystal reference frequency, and hence RF Operating Frequency. Filter BW values can be easily calculated by direct scaling. Equation 5 illustrates filter Demod BW calculation:

$$BW_{\text{Operating Freq}} = BW_{@433.92\text{MHz}} \times \left( \frac{\text{Operating Freq (MHz)}}{433.92} \right) \quad \text{Eq. 5}$$

It is very important to choose the baseband bandwidth setting suitable for the data rate to minimize bit error rate. Use the operating curves that show BER vs. bit rates for different SEL1, SEL0 settings as a guide.

This low-pass filter -3dB corner, or the demodulation BW, is set at 13000Hz @ 433.92MHz as default (assuming both SEL0 and SEL1 pins are floating, internal pull-up resistors set the voltage to  $V_{DD}$ ). The low-pass filter can be hardware set by external pins SEL0 and SEL1. Table 2 demonstrates the scaling for 315MHz RF frequency:

| $V_{SEL1}$ | $V_{SEL0}$ | Low-Pass Filter BW | Maximum Encoded Bit Rate |
|------------|------------|--------------------|--------------------------|
| GND        | GND        | 1625Hz             | 2.5kbps                  |
| GND        | $V_{DD}$   | 3250Hz             | 5kbps                    |
| $V_{DD}$   | GND        | 6500Hz             | 10kbps                   |
| $V_{DD}$   | $V_{DD}$   | 13000Hz            | 20kbps                   |

**Table 1. Low-Pass Filter Selection @ 434MHz RF Input**

| $V_{SEL1}$ | $V_{SEL0}$ | Low-Pass Filter BW | Maximum Encoded Bit Rate |
|------------|------------|--------------------|--------------------------|
| GND        | GND        | 1170Hz             | 1.8kbps                  |
| GND        | $V_{DD}$   | 2350Hz             | 3.6kbps                  |
| $V_{DD}$   | GND        | 4700Hz             | 7.2kbps                  |
| $V_{DD}$   | $V_{DD}$   | 9400Hz             | 14.4kbps                 |

**Table 2. Low-Pass Filter Selection @ 315MHz RF Input**

### Slicer and CTH

The signal prior to the slicer, labeled “Audio Signal” in Figure 1, is still baseband analog signal. The data slicer converts the analog signal into ones and zeros based upon 50% of the slicing threshold voltage built up in the CTH capacitor. After the slicer, the signal is demodulated OOK digital data. When there is only thermal noise at ANT pin, the voltage level on CTH pin is about 650mV. This voltage starts to drop when there is RF signal present. When the RF signal level is greater than  $-100\text{dBm}$ , the voltage is about 400mV.

The value of the capacitor from CTH pin to GND is not critical to the sensitivity of MICRF220, although it should be large enough to provide a stable slicing level for the comparator. The value used in the evaluation board of  $0.1\mu\text{F}$  is good for all bit rates from 500bps to 20kbps.

### CTH Hold Mode

If the internal demodulated signal (DO' in Figure 1) is at logic LOW for more than about 4msec, the chip automatically enters CTH hold mode, which holds the voltage on CTH pin constant even without RF input signal. This is useful in a transmission gap, or “deadtime”, used in many encoding schemes. When the signal reappears, CTH voltage does not need to re-settle, improving the time to output with no pulse width distortion, or time to good data (TTGD).

### AGC Loop and CAGC

The AGC comparator monitors the signal amplitude from the output of the programmable low-pass filter. The AGC loop in the chip regulates the signal at this point to be at a constant level when the input RF signal is within the AGC loop dynamic range (about  $-115\text{dBm}$  to  $-40\text{dBm}$ ).

When the chip first turns on, the fast charge feature charges the CAGC node up with  $120\mu\text{A}$  typical current. When the voltage on CAGC increases, the gains of the mixer and IF amplifier go up, increasing the amplitude of the audio signal (as labeled in Figure 1), even with only thermal noise at the LNA input. The fast-charge current is disabled when the audio signal crosses the slicing threshold, causing DO' to go high, for the first time.

When an RF signal is applied, a fast attack period ensues, when  $600\mu\text{A}$  current discharges the CAGC node to reduce the gain to a proper level. Once the loop reaches equilibrium, the fast attack current is disabled, leaving only  $15\mu\text{A}$  to discharge CAGC or  $1.5\mu\text{A}$  to charge CAGC. The fast attack current is enabled only when the RF signal increases faster than the ability of the AGC loop to track it.

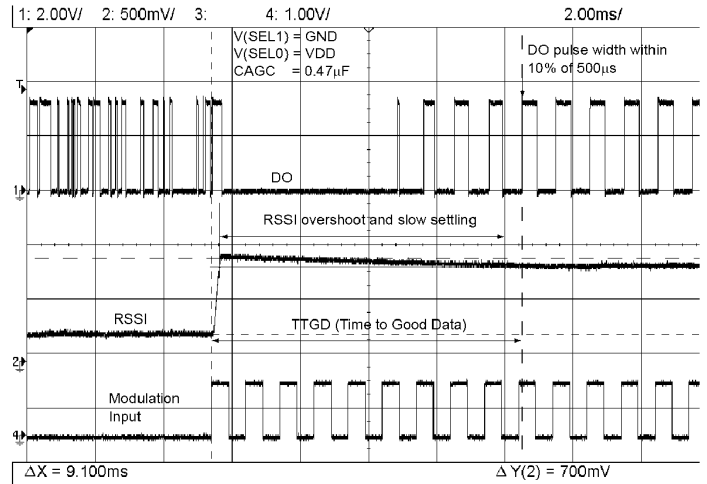
The value of CAGC impacts the time to good data (TTGD), which is defined as the time when signal is first applied, to when the pulse width at DO is within 10% of the steady state value. The optimal value of CAGC depends upon the setting of the SEL0 and SEL1 pins. A smaller CAGC value does NOT always result in a shorter TTGD. This is due to the loop dynamics, the fast discharge current being 600 $\mu$ A, and the charge current being only 1.5 $\mu$ A. For example, if  $V_{SEL0} = V_{SEL1} = 0V$ , the low pass filter bandwidth is set to a minimum and CAGC capacitance is too small, TTGD will be longer than if CAGC capacitance is properly chosen. This is because when RF signal first appears, the fast discharge period will reduce  $V_{CAGC}$  very fast, lowering the gain of the mixer and IF amplifier. But since the low pass filter bandwidth is low, it takes too long for the AGC comparator to see a reduced level of the audio signal, so it can not stop the discharge current. This causes an undershoot in CAGC voltage and a corresponding overshoot in RSSI voltage. Once CAGC undershoots, it takes a long time for it to charge back up because the current available is only 1.5 $\mu$ A.

Table 3 lists the recommended CAGC values for different SEL0 and SEL1 settings.

| $V_{SEL1}$ | $V_{SEL0}$ | CAGC value   |
|------------|------------|--------------|
| 0V         | 0V         | 4.7 $\mu$ F  |
| 0V         | $V_{DD}$   | 2.2 $\mu$ F  |
| $V_{DD}$   | 0V         | 1 $\mu$ F    |
| $V_{DD}$   | $V_{DD}$   | 0.47 $\mu$ F |

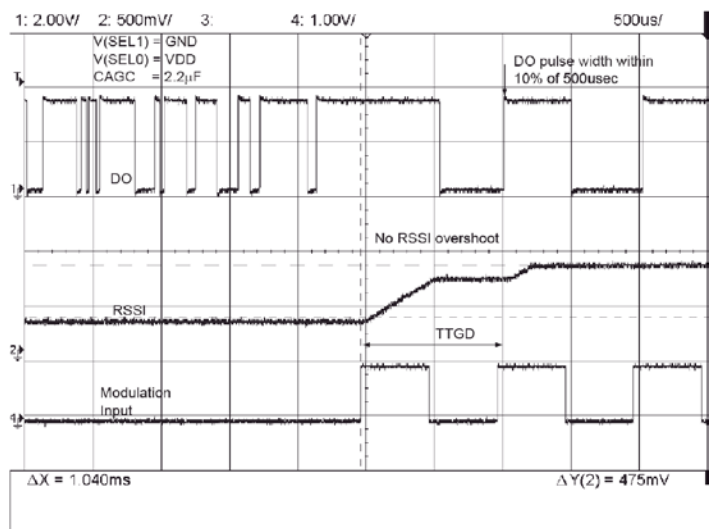
**Table 3. Minimum Suggested CAGC Values**

Figure 3 illustrates what occurs if CAGC capacitance is too small for a given SEL1, SEL0 setting. Here,  $V_{SEL1} = 0V$ ,  $V_{SEL0} = V_{DD}$ , the capacitance on CAGC pin is 0.47 $\mu$ F, and the RF input level is stepped from no signal to -100dBm. RSSI voltage is shown instead of CAGC voltage because RSSI is a buffered version of CAGC (with an inversion and amplification). Probing CAGC directly can affect the loop dynamics through resistive loading from a scope probe, especially in the state where only 1.5 $\mu$ A is available, whereas probing RSSI does not. When RF signal is first applied, RSSI voltage overshoots due to the fast discharge current on CAGC, and the loop is too slow to stop this fast discharge current in time. Since the voltage on CAGC is too low, the audio signal level is lower than the slicing threshold (voltage on CTH), and DO pin is low. Once the fast discharge current stops, only the small 1.5 $\mu$ A charge current is available in settling the AGC loop to the correct level, causing the recovery from CAGC undershoot/RSSI overshoot condition to be slow. As a result, TTGD is about 9.1ms.



**Figure 3. RSSI Overshoot and Slow TTGD (9.1ms)**

Figure 4 shows the behavior with a larger capacitor on CAGC pin (2.2 $\mu$ F),  $V_{SEL1} = 0V$ , and  $V_{SEL0} = V_{DD}$ . In this case,  $V_{CAGC}$  does not undershoot (RSSI does not overshoot), and TTGD is relatively short at 1ms.



**Figure 4. Proper TTGD (1ms) with Sufficient CAGC**

**Reference Oscillator**

The reference oscillator in the MICRF220 (Figure 5) uses a basic Pierce crystal oscillator configuration with MOS transistor to provide negative resistance. Though the MICRF220 has built-in load capacitors for the crystal oscillator, the external load capacitors are still required for tuning it to the right frequency. RO1 and RO2 are external pins of the MICRF220 to connect the crystal to the reference oscillator.

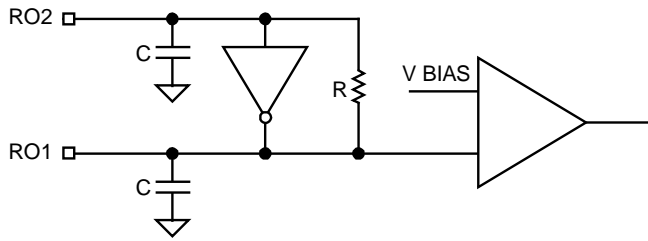


Figure 5. Reference Oscillator Circuit

Reference oscillator crystal frequency can be calculated according to Equation 3. For example, if  $f_{RF} = 433.92\text{MHz}$ ,  $f_{REF} = 13.52313\text{MHz}$ . Table 4 lists the values of reference frequencies at different popular RF frequencies. To operate the MICRF220 with minimum offset, use proper loading capacitance recommended by the crystal manufacturer.

| RF Input Frequency (MHz) | Reference Frequency (MHz) |
|--------------------------|---------------------------|
| 315.0                    | 9.81713*                  |
| 390.0                    | 12.15446                  |
| 418.0                    | 13.02708                  |
| 433.92                   | 13.52313*                 |

\*Empirically derived, slightly different from Equation 3.

Table 4. Reference Frequency Examples

**Squelch Operation**

When squelch function is enabled by tying the SQ pin low, the chip will monitor incoming pulse width before allowing activity on DO pin. The pulse width is set by SEL1 and SEL0 pins as shown in Table 5, and is inversely proportional to frequency. When there is no input signal and squelch is not enabled (SQ pin left floating), voltage on DO chatters due to random noise as shown in Figure 6. If SQ pin is tied low, the activity on DO pin is much reduced as shown in Figure 7.

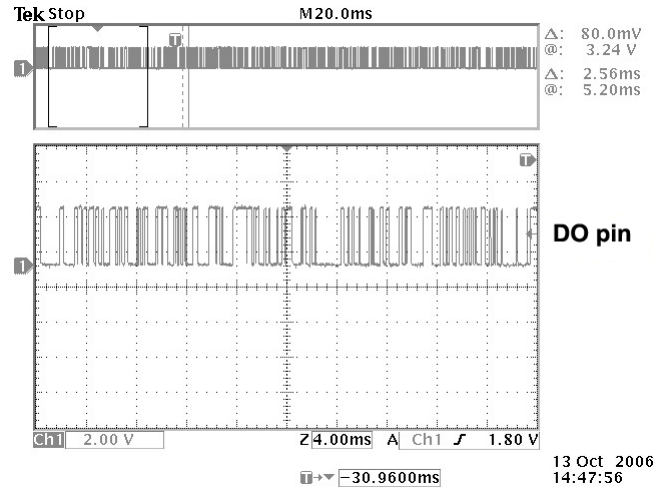


Figure 6. Data Out Pin with No Squelch ( $V_{SQ} = V_{DD}$ )

When squelch function is enabled by tying the SQ pin low, the chip will monitor incoming pulse width before allowing activity on DO pin. The pulse width is set by SEL1 and SEL0 pins as shown in Table 5, and is inversely proportional to frequency. When there is no input signal and squelch is not enabled (SQ pin left floating), voltage on DO chatters due to random noise as shown in Figure 6. If SQ pin is tied low, the activity on DO pin is much reduced as shown in Figure 7.

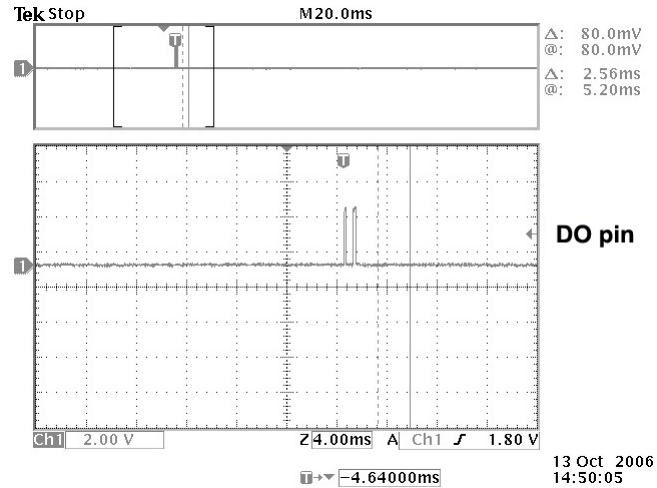


Figure 7. Data Out Pin with Squelch ( $V_{SQ} = 0V$ )

When four or less out of eight pulses (at DO'signal labeled in Figure 1) are good, the DO output is squelched. If good pulse count increases to seven or more in any eight sequential pulses, squelch is disabled, thereby allowing data to output at DO pin. A good pulse has a duration that is greater than the values listed in Table 5, and it can be a high or a low pulse. For other frequencies pulse times are calculated as follows:

| V <sub>SEL1</sub> | V <sub>SEL0</sub> | Pulse Width at 315MHz (μs) | Pulse Width at 433.92MHz (μs) |
|-------------------|-------------------|----------------------------|-------------------------------|
| 0V                | 0V                | 420                        | 305                           |
| 0V                | V <sub>DD</sub>   | 210                        | 152                           |
| V <sub>DD</sub>   | 0V                | 105                        | 76                            |
| V <sub>DD</sub>   | V <sub>DD</sub>   | 53                         | 38                            |

**Table 5. Pulse Width Settings in Squelch**

$$PW = PW_{@433.92 \text{ MHz}} \times \left( \frac{433.92}{\text{Operating Freq(MHz)}} \right) \quad \text{Eq. 6}$$

# Application Information

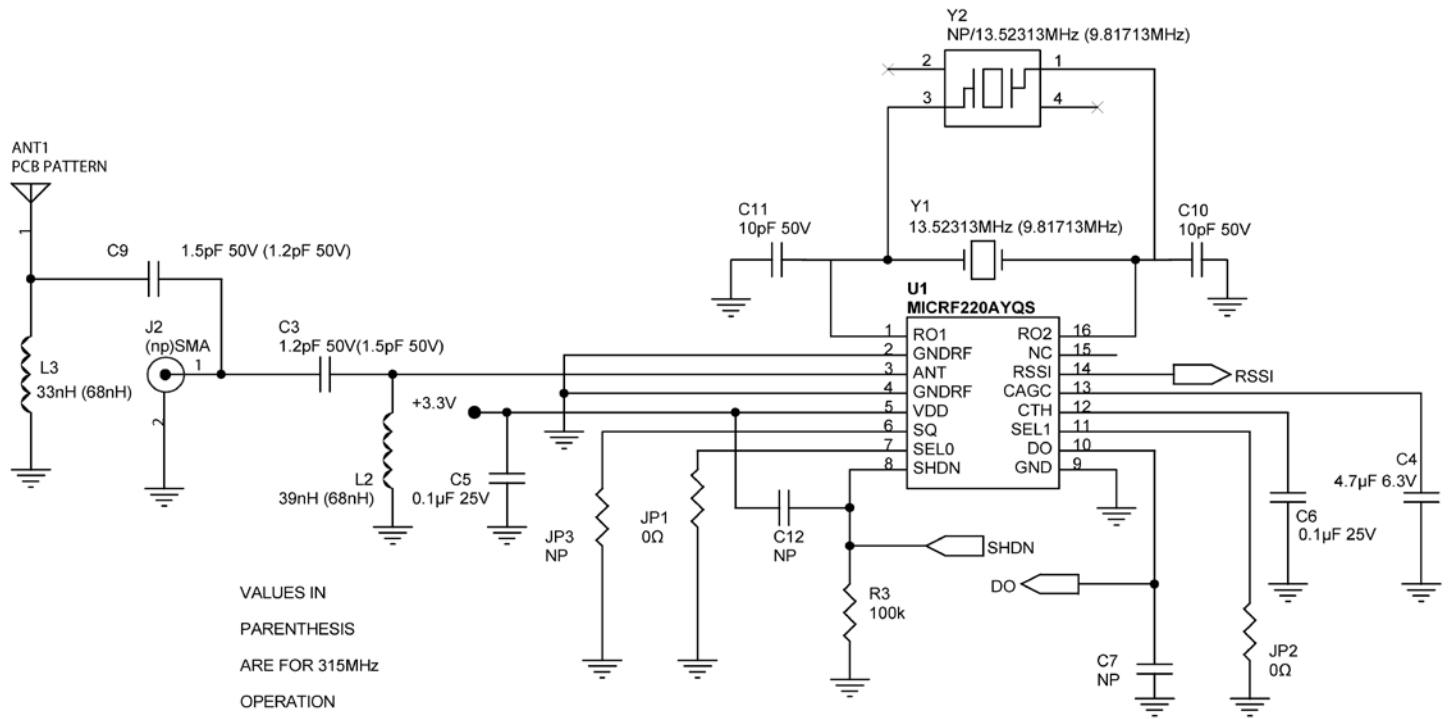


Figure 8. MICRF220 EV Board Application Example

**Supply Voltage Ramping**

When supply voltage is initially applied, it should rise monotonically from 0V to 3.3V to ensure proper startup of the crystal oscillator and the PLL. It should not have multiple bounces across 2.6V, which is the threshold of the undervoltage lockout (UVLO) circuit inside MICRF220.

**Antenna and RF Port Connections**

Figure 8 shows the schematic of the MICRF220 Evaluation Board. Figures 9 thru 11 depict PCB images. This evaluation board is a good starting point for the prototyping of most applications. The evaluation board offers two options of injecting the RF input signal: through a PCB antenna or through a 50Ω SMA connector. The SMA connection allows for conductive testing, or an external antenna.

**Low-Noise Amplifier Input Matching**

Capacitor C3 and inductor L2 form the “L” shape input matching network to the SMA connector. The capacitor cancels out the inductive portion of the net impedance after the shunt inductor, and provides additional attenuation for low-frequency outside band noise. The inductor is chosen to over resonate the net capacitance at the pin, leaving a net-positive reactance and increasing the real part of the impedance. It also provides additional ESD protection for the antenna pin. The input impedance of the device is listed in Table 6 to aid calculation of matching values. Note that the net impedance at the pin is easily affected by component pads parasitic due to the high input impedance of the device. The numbers in Table 6 does NOT include trace and component pad parasitic capacitance, which total about 0.75pF on the evaluation board.

The matching components to the PCB antenna (L3 and C9) were empirically derived for best over-the-air reception range.

| Frequency (MHz) | Z Device (Ω) |
|-----------------|--------------|
| 315             | 23 – j290    |
| 390             | 14 – j230    |
| 418             | 17 – j216    |
| 433.92          | 12 – j209    |

**Table 6. Input Impedance for the Most Used Frequencies**

**Crystal Selection**

The crystal resonator provides a reference clock for all the device internal circuits. Crystal tolerance needs to be chosen such that the down-converted signal is

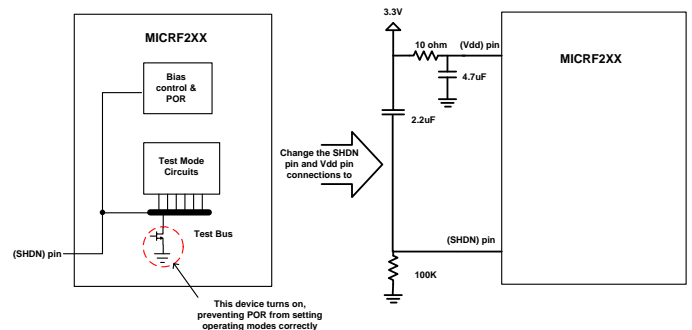
always inside the IF bandwidth of MICRF220. From this consideration, the tolerance should be ±50ppm on both the transmitter and the MICRF220 side. ESR should be less than 300Ω, and the temperature range of the crystal should match the range required by the application. With the Abracon crystal listed in the Bill of Materials, a typical MICRF220 crystal oscillator still starts up at 105°C with additional 400Ω series resistance.

The oscillator of the MICRF220 is a Pierce-type oscillator. Good care must be taken when laying out the printed circuit board. Avoid long traces and place the ground plane on the top layer close to the REFOSC pins RO1 and RO2. When care is not taken in the layout, and the crystals used are not verified, the oscillator may not start or takes longer to start. Time-to-good-data will be longer as well.

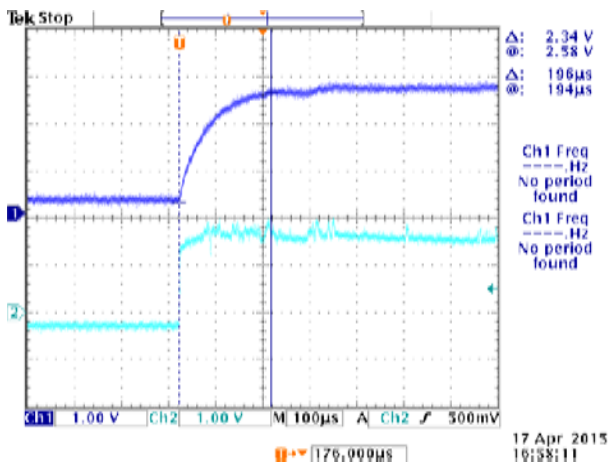
**Important Note**

A few customers have reported that some MICRF220 receiver do not start up correctly. When the issue occurs, DO either chatters or stays at low voltage level. An unusual operating current is observed and the part cannot receive or demodulate data even when a strong OOK signal is present.

Micrel has confirmed that this is the symptom of incorrect power on reset (POR) of internal register bits. The MICRF220 is designed to start up in shutdown mode (SHDN pin must be in logic high during Vdd ramp up). When the SHDN pin is tied to GND, and if the supply is ramped up slowly, a “test bus pull down” circuit may be activated. Once the chip enters this mode, the POR does not have the chance to set register bits (and hence operating modes) correctly. The test bus pull down acts on the SHDN pin, and can be illustrated in the following diagram.



To prevent the erroneous startup, a simple RC network is recommended. The 10 $\Omega$  resistor and the 4.7 $\mu$ F capacitor provide a delay of about 200 $\mu$ s between VDD and SHDN during the power up, thus ensuring the part enters shutdown stage before the part is actually turned on. The 2.2 $\mu$ F capacitor bootstraps the voltage on SHDN, ensuring that SHDN voltage leads the supply voltage on VDD during power up. This gives the POR circuit time to set internal register bits. The SHDN pin can be brought low to turn the chip on once the initialization is completed. The 2.2 $\mu$ F and 100k $\Omega$  network form an RC delay of about 200ms before the SHDN pin is brought to low again. The 100k $\Omega$  resistor discharges the SHDN pin to turn the chip on.



The suggestion provided above will generally serve to prevent the startup issue from happening to the MICRF220 series ASK receiver. However, exact values of the RC network depend on the ramp rate of the supply voltage, and should be determined on a case-by-case basis.

## PCB Considerations and Layout

Figures 9 thru 11 illustrate the MICRF220 Evaluation Board layout. The Gerber files provided are downloadable from the Micrel website and contain the remaining layers needed to fabricate this board. When copying or making one's own boards, make the traces as short as possible. Long traces alter the matching network and the values suggested are no longer valid. Suggested matching values may vary due to PCB variations. A PCB trace 100 mils (2.5mm) long has about 1.1nH inductance. Optimization should always be done with exhaustive range tests. Make sure the individual ground connection has a dedicated via rather than sharing a few of ground points by a single via. Sharing ground via will increase the ground path inductance. Ground plane should be solid and with no sudden interruptions. Avoid using ground plane on top layer next to the matching elements. It normally adds additional stray capacitance which changes the matching. Do not use Phenolic materials as they are conductive above 200MHz. Typically, FR4 or better materials are recommended. The RF path should be as straight as possible to avoid loops and unnecessary turns. Separate ground and V<sub>DD</sub> lines from other digital or switching power circuits (such microcontroller...etc). Known sources of noise should be laid out as far as possible from the RF circuits. Avoid unnecessary wide traces which would add more distribution capacitance (between top trace to bottom GND plane) and alter the RF parameters.

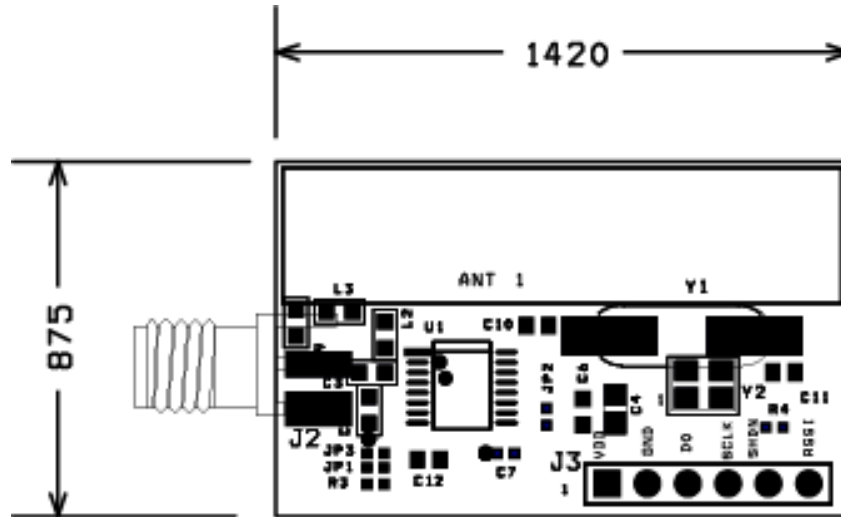


Figure 9. MICRF220 EV Board Assembly

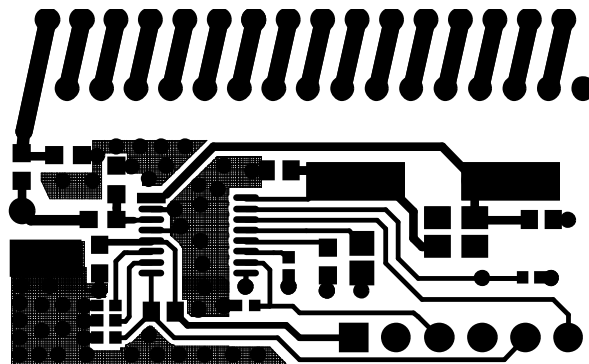


Figure 10. MICRF220 EV Board Top Layer

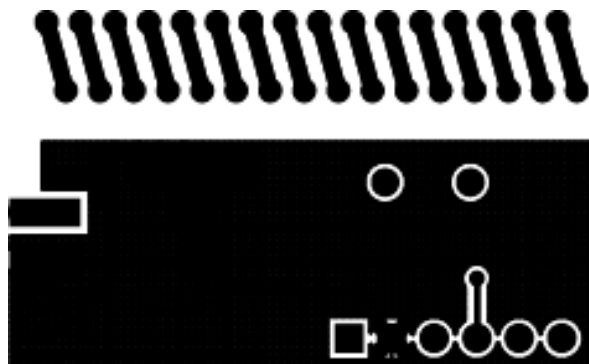


Figure 11. MICRF220 EV Board Bottom Layer



**MICRF220 Evaluation Board (433.92MHz) Bill of Materials**

| Item         | Part Number            | Manufacturer                      | Description  |
|--------------|------------------------|-----------------------------------|--|
| C3           | GRM1885C1H1R2CZ01      | Murata <sup>(1)</sup>             | 1.2pF 100V, ±0.25pF, 0603  |
| C4           | GRM21BR60J475KE01L     | Murata <sup>(1)</sup>             | 4.7µF 6.3V, 0805   |
| C5, C6       | GRM188R71E104KA01D     | Murata <sup>(1)</sup>             | 0.1µF 25V, 0603  |
| C7, C12, JP3 |                        |                                   | NP   |
| C9           | GRM1885C1H1R5CZ01      | Murata <sup>(1)</sup>             | 1.5pF, 100V, ±0.25pF, 0603   |
| C10, C11     | GRM1885C1H100JA01D     | Murata <sup>(1)</sup>             | 10pF 50V, 0603   |
| J2           |                        |                                   | NP, SMA, Edge Conn.  |
| J3           | 571-41031480           |                                   | AMPMODU Breakaway Headers 40 P(6pos)<br>R/A HEADER GOLD              |
| JP1, JP2     | CRCW04020000Z          | Vishay <sup>(2)</sup>             | 0Ω, 0402   |
| L2           | LQG18HN39NJ00          | Murata <sup>(1)</sup>             | 39nH, ± 5%, 0603   |
| L3           | LQG18HN33NJ00          | Murata <sup>(1)</sup>             | 33nH, ± 5%, 0603   |
| R3           | CRCW0402100KFKEA       |                                   | 100kΩ, 0402  |
| R4           |                        |                                   | NP   |
| Y1           | ABLS-13.52313MHz-10J4Y | Abracon <sup>(3)</sup>            | 13.52313MHz, HC49/US   |
| Y2           | DSX321GK-13.52313MHz   | KDS <sup>(4)</sup>                | NP, (13.52313MHz, -40°C to +105°C), DSX321GK                         |
| U1           | <b>MICRF220AYQS</b>    | <b>Micrel, Inc.<sup>(5)</sup></b> | <b>300MHz to 450MHz, 3.3V ASK/OOK Receiver with RSSI and Squelch</b> |

**Notes:**

1. Murata: [www.murata.com](http://www.murata.com).
2. Vishay: [www.vishay.com](http://www.vishay.com).
3. Abracon: [www.abracon.com](http://www.abracon.com).
4. KDS: [www.kds.info/index\\_en.htm](http://www.kds.info/index_en.htm).
5. Micrel, Inc.: [www.micrel.com](http://www.micrel.com).

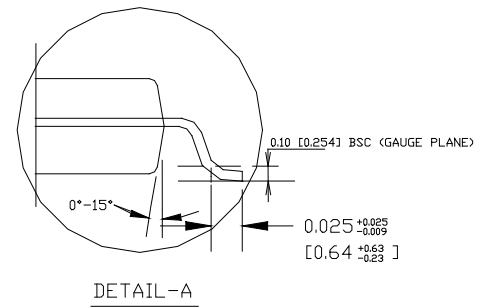
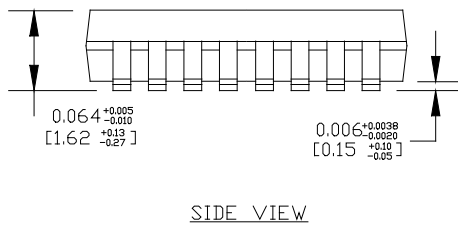
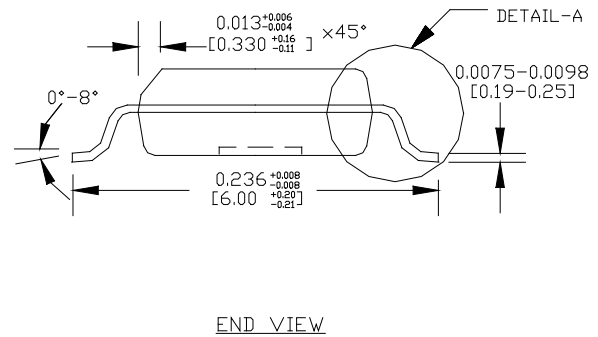
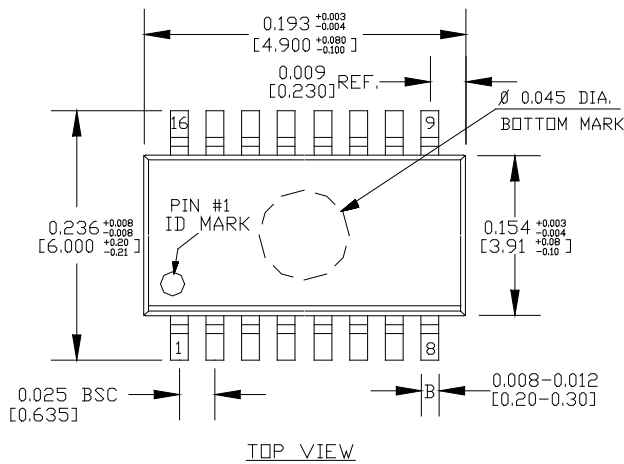
**MICRF220 Evaluation Board (315MHz) Bill of Materials**

| Item         | Part Number           | Manufacturer                      | Description  |
|--------------|-----------------------|-----------------------------------|--|
| C3           | GRM1885C1H1R5CZ01     | Murata <sup>(1)</sup>             | 1.5pF 100V, ±0.25pF, 0603  |
| C4           | GRM21BR60J475KE01L    | Murata <sup>(1)</sup>             | 4.7µF 6.3V, 0805   |
| C5, C6       | GRM188R71E104KA01D    | Murata <sup>(1)</sup>             | 0.1µF 25V, 0603  |
| C7, C12, JP3 |                       |                                   | NP   |
| C9           | GRM1885C1H1R2CZ01     | Murata <sup>(1)</sup>             | 1.2pF, 100V, ±0.25pF, 0603   |
| C10, C11     | GRM1885C1H100JA01D    | Murata <sup>(1)</sup>             | 10pF 50V, 0603   |
| J2           |                       |                                   | NP, SMA, Edge Conn.  |
| J3           | 571-41031480          | Mouser <sup>(2)</sup>             | AMPMODU Breakaway Headers 40 P(6pos) R/A HEADER GOLD                 |
| JP1, JP2     | CRCW04020000Z         | Vishay <sup>(3)</sup>             | 0Ω, 0402   |
| L2, L3       | LQG18HN68NJ00         | Murata <sup>(1)</sup>             | 68nH, ±5%, 0603  |
| R3           | CRCW0402100KFKEA      |                                   | 100kΩ, 0402  |
| R4           |                       |                                   | NP   |
| Y1           | ABLS-9.81713MHz-10J4Y | Abracon <sup>(4)</sup>            | 9.81713MHz, HC49/US  |
| Y2           | DSX321GK-9.81713MHz   | KDS <sup>(5)</sup>                | NP, (9.81713MHz, -40°C to +105°C), DSX321GK                          |
| <b>U1</b>    | <b>MICRF220AYQS</b>   | <b>Micrel, Inc.<sup>(6)</sup></b> | <b>300MHz to 450MHz, 3.3V ASK/OOK Receiver with RSSI and Squelch</b> |

**Notes:**

1. Murata: [www.murata.com](http://www.murata.com).
2. Mouser: [www.mouser.com](http://www.mouser.com).
3. Vishay: [www.vishay.com](http://www.vishay.com).
4. Abracon: [www.abracon.com](http://www.abracon.com).
5. KDS: [www.kds.info/index\\_en.htm](http://www.kds.info/index_en.htm).
6. Micrel, Inc.: [www.micrel.com](http://www.micrel.com).

# Package Information and Recommended Land Pattern<sup>(1)</sup>



**NOTE:**

1. ALL DIMENSIONS ARE IN INCHES [MM].
2. LEAD COPLANARITY SHOULD BE  $0.004''$  [0.10 mm] MAX.
3. MAX MISALIGNMENT BETWEEN TOP AND BOTTOM CENTER OF PACKAGE TO BE  $0.004''$  [0.10 mm].
4. THE LEAD WIDTH, B TO BE DETERMINED AT  $.0075$  [0.19 mm] FROM THE LEAD TIP.
5. BOTTOM MARK IS OPTIONAL, IT MAY NOT APPEAR ON THE ACTUAL UNITS.

## QSOP16 Package Type (AQS16)

**Note:**

9. Package information is correct as of the publication date. For updates and most current information, go to [www.micrel.com](http://www.micrel.com).

---

**MICREL, INC. 2180 FORTUNE DRIVE SAN JOSE, CA 95131 USA**  
TEL +1 (408) 944-0800 FAX +1 (408) 474-1000 WEB <http://www.micrel.com>

Micrel, Inc. is a leading global manufacturer of IC solutions for the worldwide high performance linear and power, LAN, and timing & communications markets. The Company's products include advanced mixed-signal, analog & power semiconductors; high-performance communication, clock management, MEMs-based clock oscillators & crystal-less clock generators, Ethernet switches, and physical layer transceiver ICs. Company customers include leading manufacturers of enterprise, consumer, industrial, mobile, telecommunications, automotive, and computer products. Corporation headquarters and state-of-the-art wafer fabrication facilities are located in San Jose, CA, with regional sales and support offices and advanced technology design centers situated throughout the Americas, Europe, and Asia. Additionally, the Company maintains an extensive network of distributors and reps worldwide.

Micrel makes no representations or warranties with respect to the accuracy or completeness of the information furnished in this datasheet. This information is not intended as a warranty and Micrel does not assume responsibility for its use. Micrel reserves the right to change circuitry, specifications and descriptions at any time without notice. No license, whether express, implied, arising by estoppel or otherwise, to any intellectual property rights is granted by this document. Except as provided in Micrel's terms and conditions of sale for such products, Micrel assumes no liability whatsoever, and Micrel disclaims any express or implied warranty relating to the sale and/or use of Micrel products including liability or warranties relating to fitness for a particular purpose, merchantability, or infringement of any patent, copyright, or other intellectual property right.

Micrel Products are not designed or authorized for use as components in life support appliances, devices or systems where malfunction of a product can reasonably be expected to result in personal injury. Life support devices or systems are devices or systems that (a) are intended for surgical implant into the body or (b) support or sustain life, and whose failure to perform can be reasonably expected to result in a significant injury to the user. A Purchaser's use or sale of Micrel Products for use in life support appliances, devices or systems is a Purchaser's own risk and Purchaser agrees to fully indemnify Micrel for any damages resulting from such use or sale.

© 2010 Micrel, Incorporated.

# Mouser Electronics

Authorized Distributor

Click to View Pricing, Inventory, Delivery & Lifecycle Information:

[Microchip:](#)

[MICRF220AYQS](#) [MICRF220AYQS TR](#) [MICRF220-315 EV](#) [MICRF220-433 EV](#) [MICRF220AYQS-TR](#) [MICRF220-315-EV](#) [MICRF220-433-EV](#)