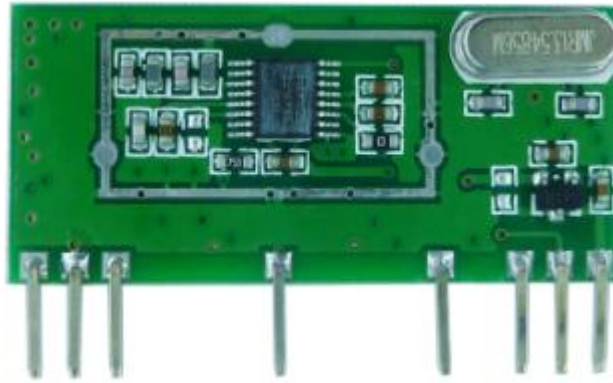


Type: ASK/OOK Superhet Receiver Module

Model: CY58-XXX

1. DESCRIPTION:

The CY58 is a ASK/OOK superhet receiver based on Xtal, which is designed with high sensitivity, long distance, easy use for designing, it can be able to fulfill most demands of European market specially.



2. FEATURES:

- Frequency: 315M/433.92M/868.35/915 MHz (custom frequency is available)
- High sensitivity up to -110 dBm
- Supply voltage: VCC= 3.3 to 5.5 V;
- IF band: 230KHz;
- Low power consumption:
[4.8mA@315M](#), [6mA@433.92M](#)
[9mA@868.35M](#), 9mA @915M;
- Wide operating temperature: -40 ~ 85°C
- Excellent selectivity and noise rejection;
- Easy for to use for all wireless applications;
- Analog RSSI Output(only for V2.0) ;
- SIL(single in line) small package;

3. APPLICATION:

- Garage door and gate openers
- Remote controls
- Remote fan and light control
- Smart home system
- Alarm and security system

4. PIN DEFINITION:

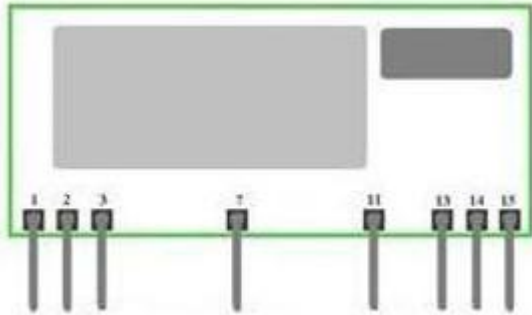


Figure1 CY58 Shape & Pins

Pin	Pin Name	Pin Definition
1	N.C.	Not Connected.
2-7	GND	Ground.
3	Antenna	Antenna input, impedance 50 ohm.
11	N.C.	Not Connected.
13	RSSI Out – Test point	RSSI output proportional to the amplitude of the input signal.
14	Data Output	Data output from the receiver.
15	+Vs	Positive Voltage Supply.

Note1: ANT pin is a 50 ohm antenna input. The length is about:
23cm for 315MHz; 17cm or 433.92MHz; 8.6cm for 868.35MHz; 8.2cm for 915 MHz

5. ELECTRICAL CHARACTERISTICS

Condition: Ta=25°C Vcc=5.0V Frequency=315MHz

Parameter	Specification			Unit	Condition
	Min	Typ.	Max		
Frequency range		315		MHz	Other freq. available
Receiver sensitivity		-110		dBm	BER=10E-2
Data rata	0.58	2.4	12	Kbps	Manchester code
Supply voltage, VDD	3.3		5.5	V	DC
Current		4.8		mA	
Operation temperature	-40		+85	°C	

Condition: Ta=25°C Vcc=5.0V Frequency=433.92MHz

Parameter	Specification			Unit	Condition
	Min	Typ.	Max		
Frequency range		433.92		MHz	Other freq. available
Receiver sensitivity		-110		dBm	BER=10E-2
Data rata	0.58	2.4	12	Kbps	Manchester code
Supply voltage, VDD	3.3		5.5	V	DC
Current		6		mA	DC
Operation temperature	-40		+85	°C	

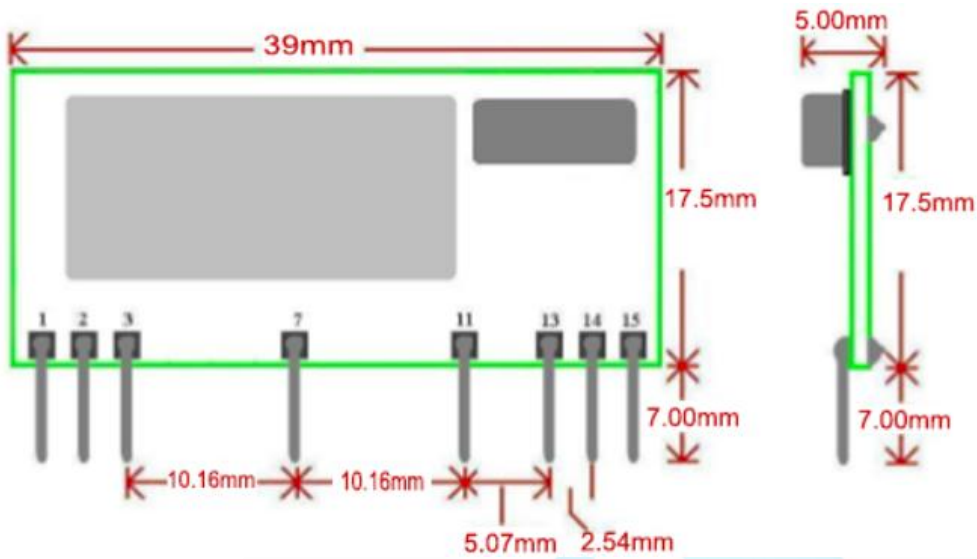
Condition: Ta=25°C Vcc=5.0V Frequency=868.35MHz

Parameter	Specification			Unit	Condition
	Min	Typ.	Max		
Frequency range		868.35		MHz	Other freq. available
Receiver sensitivity		-108	-109	dBm	BER=10E-2
Data rata	0.58		9.6	Kbps	Manchester code
Supply voltage, VDD	3.3	5.0	5.5	V	DC
Current		9		mA	DC
Operation temperature	-40		+85	°C	

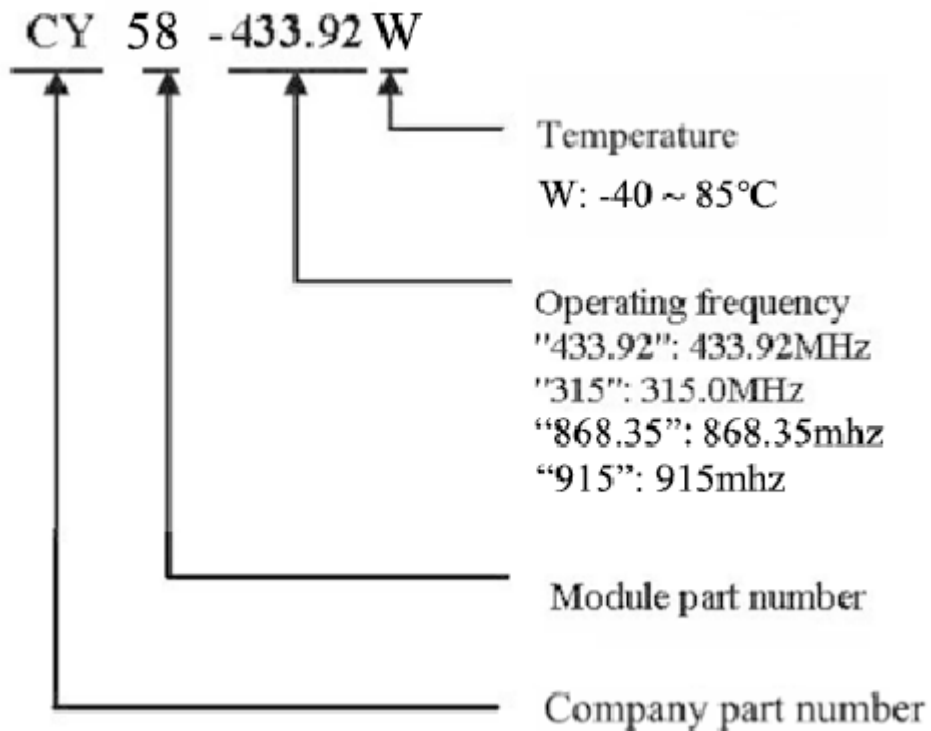
Condition: Ta=25°C Vcc=5.0V Frequency=915MHz

Parameter	Specification			Unit	Condition
	Min	Typ.	Max		
Frequency range		915		MHz	Other freq. available
Receiver sensitivity		-108	-109	dBm	BER=10E-2
Data rata	0.58		9.6	Kbps	Manchester code
Supply voltage, VDD	3.3	5.0	5.5	V	DC
Current		9		mA	DC
Operation temperature	-40		+85	°C	

6. MECHANICAL SIZE: (UNIT: mm)



7. ORDER INFORMATION:



For more information and assistance, please contact us as follows:

CY WIRELESS TECHNOLOGY LIMITED

Add: 1407, Block C, Tairan Building, 8th Tairan Road, Futian District,

Shenzhen, Guangdong Province, China

Website: www.rficy.com

Email: info@rficy.com