

**FEATURES**

**Digital input stereo, high efficiency Class-D amplifier**  
**Operates from a single 4.5 V to 16.5 V supply**  
**State-of-the-art, proprietary, filterless  $\Sigma$ - $\Delta$  modulation**  
 106.5 dB SNR at  $P_o = 8.1\text{ W}$ ,  $R_L = 8\ \Omega$ ,  $A_v = 19\text{ dB}$ ,  
 $PV_{DD} = 12\text{ V}$ , A weighted  
 0.004% THD + N at 5 W into 8  $\Omega$   
 38.5  $\mu\text{V}$  rms output voltage noise,  $f = 20\text{ Hz}$  to 20 kHz,  
 A weighted,  $PV_{DD} = 16\text{ V}$ , 8  $\Omega$   
**Pop and clickless on and off sequence**  
 2x 14.67 W output at 12 V supply to 4  $\Omega$  loads at <1% THD + N  
 2x 14.4 W output at 16 V supply to 8  $\Omega$  loads at <1% THD + N  
**Mono mode for increased maximum output power**  
 1x 49.69 W output at 16 V supply to 2  $\Omega$  loads at <1% THD + N  
**Support for low impedance loads**  
 As low as 3  $\Omega/5\ \mu\text{H}$  in stereo mode  
 As low as 2  $\Omega/5\ \mu\text{H}$  in mono mode  
**High power efficiency**  
 93.8% efficiency into an 8  $\Omega$  load  
 90.6% efficiency into a 4  $\Omega$  load  
 12.34 mA quiescent current with single 12 V  $PV_{DD}$  supply  
**Single-supply operation with internal LDOs or option to use  
 an external 5 V and 1.8 V supply for lowest power  
 consumption**  
**I<sup>2</sup>C control and hardware modes with up to 16 pin-selectable  
 slots/addresses**

**Supported sample rates from 8 kHz to 192 kHz with 24-bit  
 resolution**  
**Multiple PCM audio serial data formats**  
 TDM slave with support for up to 16 devices on a single bus  
 I<sup>2</sup>S or left justified slave  
**Adjustable full-scale output tailored for many  $PV_{DD}$  sources**  
 2- and 3-cell Li-Ion batteries  
**Digital volume control with selectable smooth ramp**  
**Automatic power-down function**  
**Supply monitoring automatic gain control (AGC) function**  
 reduces system brownout  
**Standalone operational mode without I<sup>2</sup>C**  
**Temperature sensor with 1°C step readout via I<sup>2</sup>C**  
**Short-circuit, undervoltage, and thermal protection**  
**Thermal early warning**  
**Power-on reset**  
 **$PV_{DD}$  sensing ADC**  
**40-lead, 6 mm x 6 mm LFCSP with thermal pad**

**APPLICATIONS**

Mobile computing  
 All in one computers  
 Portable electronics  
 Wireless speakers  
 Televisions

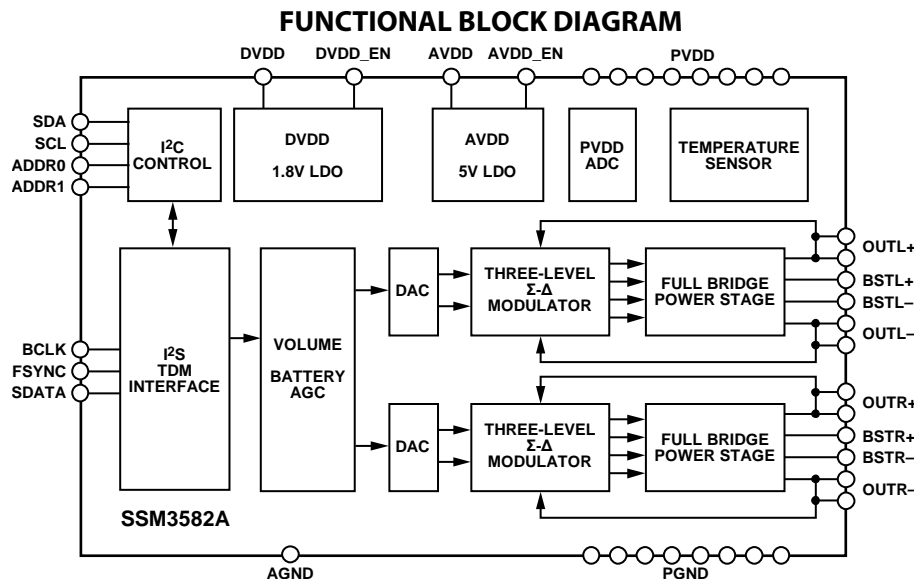


Figure 1.

Rev. A

[Document Feedback](#)

Information furnished by Analog Devices is believed to be accurate and reliable. However, no responsibility is assumed by Analog Devices for its use, nor for any infringements of patents or other rights of third parties that may result from its use. Specifications subject to change without notice. No license is granted by implication or otherwise under any patent or patent rights of Analog Devices. Trademarks and registered trademarks are the property of their respective owners.

One Technology Way, P.O. Box 9106, Norwood, MA 02062-9106, U.S.A.  
 Tel: 781.329.4700 ©2019–2020 Analog Devices, Inc. All rights reserved.  
[Technical Support](#) [www.analog.com](http://www.analog.com)

## TABLE OF CONTENTS

Features .....	1	Mono Mode .....	31
Applications .....	1	Analog and Digital Gain .....	31
Functional Block Diagram .....	1	Pop and Click Suppression .....	31
Revision History .....	2	Temperature Sensor .....	31
General Description .....	3	Faults and Limiter Status Reporting .....	32
Specifications .....	4	VBAT (PV <sub>DD</sub> ) Sensing .....	32
Digital Input/Output Specifications .....	8	Limiter and Battery Tracking Threshold Control .....	32
Digital Timing Specifications .....	9	High Frequency Clipper .....	35
Digital Input Timing Specifications .....	9	EMI Noise .....	35
Absolute Maximum Ratings .....	11	Output Modulation Description .....	35
Thermal Resistance .....	11	Bootstrap Capacitors .....	36
ESD Caution .....	11	Power Supply Decoupling .....	36
Pin Configuration and Function Descriptions .....	12	Output EMI Filtering .....	36
Typical Performance Characteristics .....	14	PCB Placement .....	36
Theory of Operation .....	25	Layout .....	37
Overview .....	25	Register Summary .....	38
Power Supplies .....	25	Register Details .....	39
Power-Up Sequence .....	26	Applications Information .....	56
Power-Down Operation .....	26	Typical Application Circuit .....	56
Clocking .....	26	Outline Dimensions .....	58
Digital Audio Serial Interface .....	26	Ordering Guide .....	58
Standalone Operation .....	30		

## REVISION HISTORY

### 8/2020—Rev. 0 to Rev. A

Change to Features Section .....	1	Changes to Figure 76 Caption .....	33
Change to General Description Section .....	3	Change to Table 46 .....	52
Changes to Table 1 .....	4	Change to Table 51 .....	55
Changes to Table 5 .....	8	Changes to Figure 86 .....	56
Change to Table 16 .....	28	Changes to Figure 87 .....	57
Changes to Mono Mode Section and Table 19 .....	31		

### 12/2019—Revision 0: Initial Version

## GENERAL DESCRIPTION

The SSM3582A is a fully integrated, high efficiency, digital input stereo Class-D audio amplifier. The device can operate from a single supply and requires only a few external components, significantly reducing the circuit bill of materials.

A proprietary, spread spectrum  $\Sigma$ - $\Delta$  modulation scheme enables direct connection to the speaker and ensures state-of-the-art analog performance while lowering radiated emissions compared to other Class-D architectures. An optional ultralow electromagnetic interference (EMI) mode significantly reduces radiated emissions above 100 MHz, enabling longer speaker cable lengths. Audio is transmitted digitally to the amplifier, minimizing the possibility of signal corruption in digital environments. The amplifier provides outstanding analog performance, with a 106 dB signal-to-noise ratio and a low 0.004% total harmonic distortion + noise (THD + N).

The SSM3582A operates from a single 4.5 V to 16.5 V supply and is capable of delivering  $2 \times 15$  W rms continuously into 8  $\Omega$  and 4  $\Omega$  loads at <1% total harmonic distortion (THD). The efficient modulation scheme maintains excellent power efficiency over a wide range of impedances: 93.8% into an 8  $\Omega$  load and 90.6% into a 4  $\Omega$  load. Optimization of the output pulse maintains performance at impedances as low as 3  $\Omega/5$   $\mu$ H, enabling its use with extended bandwidth tweeters.

The pulse code modulation (PCM) audio serial port supports most common protocols, such as I<sup>2</sup>S, left justified, and time division multiplexing (TDM), and can address up to 16 devices on a single interface, for up to 32 audio playback channels.

IC operation is controlled through a dedicated I<sup>2</sup>C interface. The two ADDR<sub>x</sub> pins (2 $\times$ , five-level) define up to 16 individual addresses in I<sup>2</sup>C and standalone modes and automatically set the default TDM slots attribution.

A micropower shutdown mode is triggered by removing the digital audio interface clock, with a typical current of <1  $\mu$ A. A software power-down mode is also available.

An automatic power-down feature shuts down the amplifier and the digital-to-analog converter (DAC) when no signal is present at the input, minimizing power consumption during digital silence. The device restarts when nonzero data is present at the input. Mute and unmute transitions are pop and click free.

The SSM3582A is specified over the commercial temperature range of  $-40^{\circ}\text{C}$  to  $+85^{\circ}\text{C}$ . The device has built in thermal shutdown and output short-circuit protection, as well as an early thermal warning with programmable gain limiting to maintain operation.

The SSM3582A is available in a 40-lead, 6 mm  $\times$  6 mm lead frame chip scale package (LFCSP), with a thermal pad to improve heat dissipation.

## SPECIFICATIONS

$PV_{DD} = 12\text{ V}$ ,  $AV_{DD} = 5\text{ V}$  (external),  $DV_{DD} = 1.8\text{ V}$  (external), load resistance ( $R_L$ ) =  $8\ \Omega + 33\ \mu\text{H}$ ,  $BCLK = 3.072\text{ MHz}$ ,  $FSYNC = 48\text{ kHz}$ ,  $T_A = -40^\circ\text{C}$  to  $+85^\circ\text{C}$ , unless otherwise noted. The measurements are taken with a 20 kHz AES17 low-pass filter. The other load impedances used are  $4\ \Omega + 15\ \mu\text{H}$  and  $3\ \Omega + 10\ \mu\text{H}$ . Measurements are taken with a 20 kHz AES17 low-pass filter, unless otherwise noted.

Table 1.

Parameter	Symbol	Test Conditions/Comments	Min	Typ	Max	Unit		
DEVICE CHARACTERISTICS								
Output Power Per Channel	$P_o$	$f = 1\text{ kHz}$ , both channels driven $R_L = 8\ \Omega$ , THD + N < 1%, $f = 1\text{ kHz}$ , 20 kHz BW, $PV_{DD} = 16\text{ V}$ $R_L = 8\ \Omega$ , THD + N < 1%, $f = 1\text{ kHz}$ , 20 kHz BW, $PV_{DD} = 12\text{ V}$ $R_L = 8\ \Omega$ , THD + N < 1%, $f = 1\text{ kHz}$ , 20 kHz BW, $PV_{DD} = 7\text{ V}$ $R_L = 8\ \Omega$ , THD + N < 1%, $f = 1\text{ kHz}$ , 20 kHz BW, $PV_{DD} = 5\text{ V}$ $R_L = 8\ \Omega$ , THD + N = 10%, $f = 1\text{ kHz}$ , 20 kHz BW, $PV_{DD} = 16\text{ V}$ $R_L = 8\ \Omega$ , THD + N = 10%, $f = 1\text{ kHz}$ , 20 kHz BW, $PV_{DD} = 12\text{ V}$ $R_L = 8\ \Omega$ , THD + N = 10%, $f = 1\text{ kHz}$ , 20 kHz BW, $PV_{DD} = 7\text{ V}$ $R_L = 8\ \Omega$ , THD + N = 10%, $f = 1\text{ kHz}$ , 20 kHz BW, $PV_{DD} = 5\text{ V}$ $R_L = 4\ \Omega$ , THD + N < 1%, $f = 1\text{ kHz}$ , 20 kHz BW, $PV_{DD} = 16\text{ V}$ $R_L = 4\ \Omega$ , THD + N < 1%, $f = 1\text{ kHz}$ , 20 kHz BW, $PV_{DD} = 12\text{ V}$ $R_L = 4\ \Omega$ , THD + N < 1%, $f = 1\text{ kHz}$ , 20 kHz BW, $PV_{DD} = 7\text{ V}$ $R_L = 4\ \Omega$ , THD + N < 1%, $f = 1\text{ kHz}$ , 20 kHz BW, $PV_{DD} = 5\text{ V}$ $R_L = 4\ \Omega$ , THD + N = 10%, $f = 1\text{ kHz}$ , 20 kHz BW, $PV_{DD} = 16\text{ V}$ $R_L = 4\ \Omega$ , THD + N = 10%, $f = 1\text{ kHz}$ , 20 kHz BW, $PV_{DD} = 12\text{ V}$ $R_L = 4\ \Omega$ , THD + N = 10%, $f = 1\text{ kHz}$ , 20 kHz BW, $PV_{DD} = 7\text{ V}$ $R_L = 4\ \Omega$ , THD + N = 10%, $f = 1\text{ kHz}$ , 20 kHz BW, $PV_{DD} = 5\text{ V}$ $f = 1\text{ kHz}$ $R_L = 3\ \Omega$ , THD + N < 1%, $f = 1\text{ kHz}$ , 20 kHz BW, $PV_{DD} = 16\text{ V}$ $R_L = 3\ \Omega$ , THD + N < 1%, $f = 1\text{ kHz}$ , 20 kHz BW, $PV_{DD} = 12\text{ V}$ $R_L = 3\ \Omega$ , THD + N < 1%, $f = 1\text{ kHz}$ , 20 kHz BW, $PV_{DD} = 7\text{ V}$ $R_L = 3\ \Omega$ , THD + N < 1%, $f = 1\text{ kHz}$ , 20 kHz BW, $PV_{DD} = 5\text{ V}$ $R_L = 3\ \Omega$ , THD + N = 10%, $f = 1\text{ kHz}$ , 20 kHz BW, $PV_{DD} = 16\text{ V}$ $R_L = 3\ \Omega$ , THD + N = 10%, $f = 1\text{ kHz}$ , 20 kHz BW, $PV_{DD} = 12\text{ V}$ $R_L = 3\ \Omega$ , THD + N = 10%, $f = 1\text{ kHz}$ , 20 kHz BW, $PV_{DD} = 7\text{ V}$ $R_L = 3\ \Omega$ , THD + N = 10%, $f = 1\text{ kHz}$ , 20 kHz BW, $PV_{DD} = 5\text{ V}$ $R_L = 2\ \Omega$ , THD + N < 1%, $f = 1\text{ kHz}$ , 20 kHz BW, $PV_{DD} = 16\text{ V}$ $R_L = 2\ \Omega$ , THD + N < 1%, $f = 1\text{ kHz}$ , 20 kHz BW, $PV_{DD} = 12\text{ V}$ $R_L = 2\ \Omega$ , THD + N < 1%, $f = 1\text{ kHz}$ , 20 kHz BW, $PV_{DD} = 7\text{ V}$ $R_L = 2\ \Omega$ , THD + N < 1%, $f = 1\text{ kHz}$ , 20 kHz BW, $PV_{DD} = 5\text{ V}$ $R_L = 2\ \Omega$ , THD + N = 10%, $f = 1\text{ kHz}$ , 20 kHz BW, $PV_{DD} = 16\text{ V}$ $R_L = 2\ \Omega$ , THD + N = 10%, $f = 1\text{ kHz}$ , 20 kHz BW, $PV_{DD} = 12\text{ V}$ $R_L = 2\ \Omega$ , THD + N = 10%, $f = 1\text{ kHz}$ , 20 kHz BW, $PV_{DD} = 7\text{ V}$ $R_L = 2\ \Omega$ , THD + N = 10%, $f = 1\text{ kHz}$ , 20 kHz BW, $PV_{DD} = 5\text{ V}$						
Stereo Mode								
						14.4		W
						8.1		W
						2.76		W
						1.41		W
						18		W
						10		W
						3.43		W
						1.75		W
						25.6		W
						14.67		W
						5.06		W
						2.6		W
						31.76		W
						18.31		W
						6.3		W
						3.21		W
Mono Mode								
					35.4	36.11		W
					20.0	20.46		W
						7		W
						3.58		W
					44.26	44.96		W
					25	25.49		W
						8.7		W
						4.43		W
			49	49.69		W		
			27.7	28.55		W		
				9.85		W		
				5		W		
			59.2	62.4		W		
			34.2	35.5		W		
				12.22		W		
				6.22		W		
Minimal Load Inductance	$\eta$	Speaker inductance	5			$\mu\text{H}$		
Efficiency								
Stereo Mode			Both channels driven					
			$P_o = 10\text{ W}$ , $R_L = 8\ \Omega$ , $PV_{DD} = 12\text{ V}$		94		%	
			$P_o = 10\text{ W}$ , $R_L = 8\ \Omega$ , $PV_{DD} = 12\text{ V}$ (low EMI mode)		93.8		%	
		$P_o = 18\text{ W}$ , $R_L = 4\ \Omega$ , $PV_{DD} = 12\text{ V}$		90.6		%		
		$P_o = 15\text{ W}$ , $R_L = 4\ \Omega$ , $PV_{DD} = 12\text{ V}$ (low EMI mode)		89.5		%		

Parameter	Symbol	Test Conditions/Comments	Min	Typ	Max	Unit
Mono Mode		$P_O = 25\text{ W}$ , $R_L = 3\ \Omega$ , $PV_{DD} = 12\text{ V}$		92.3		%
		$P_O = 25\text{ W}$ , $R_L = 3\ \Omega$ , $PV_{DD} = 12\text{ V}$ (low EMI mode)		92.1		%
		$P_O = 35\text{ W}$ , $R_L = 2\ \Omega$ , $PV_{DD} = 12\text{ V}$	83.8	89.9		%
		$P_O = 35\text{ W}$ , $R_L = 2\ \Omega$ , $PV_{DD} = 12\text{ V}$ (low EMI mode)	83.8	89.7		%
		$P_O = 35\text{ W}$ , $R_L = 2\ \Omega$ , $PV_{DD} = 16\text{ V}$	81.2	89.9		%
		$P_O = 35\text{ W}$ , $R_L = 2\ \Omega$ , $PV_{DD} = 16\text{ V}$ (low EMI mode)	80.6	89.9		%
Total Harmonic Distortion + Noise	THD + N	$P_O = 5\text{ W}$ into $8\ \Omega$ , $f = 1\text{ kHz}$ , $PV_{DD} = 12\text{ V}$		0.004		%
		$P_O = 10\text{ W}$ into $2\ \Omega$ , $f = 1\text{ kHz}$ , $PV_{DD} = 16\text{ V}$ , mono mode		0.004	0.024	%
Output Stage On Resistance	$R_{ON}$			100		m $\Omega$
Overcurrent Protection Trip Point	$I_{OC}$	Stereo mode	4.68	6		A peak
Average Switching Frequency	$f_{SW}$			300		kHz
Differential Output Offset Voltage	$V_{OOS}$	$A_V = 19\text{ dB}$		$\pm 1$	$\pm 5$	mV
Crosstalk between Left and Right		Measured at 1 kHz with regards to full-scale output	75	100		dB
<b>POWER SUPPLIES</b>						
Supply Voltage Range	$PV_{DD}$		4.5		16.5	V
	$AV_{DD}$		4.5	5.0	5.5	V
	$DV_{DD}$		1.62	1.8	1.98	V
Power Supply Rejection Ratio	PSRR					
PVDD	$PSRR_{AC}$	PVDD ripple voltage ( $V_{RIPPLE}$ ) = 100 mV rms at 1 kHz	70	86		dB
		PVDD ripple voltage ( $V_{RIPPLE}$ ) = 1 V rms at 1 kHz	70	88		dB
AVDD	$PSRR_{AC}$	AVDD ripple voltage ( $V_{RIPPLE}$ ) = 100 mV rms at 1 kHz	53	58		dB
		AVDD ripple voltage ( $V_{RIPPLE}$ ) = 100 mV rms at 17 kHz	53	58		dB
<b>ANALOG GAIN</b>						
Gain = 00	$A_V$	Measured with 0 dBFS input at 1 kHz $PV_{DD} \geq 6.3\text{ V}$		6.2		V peak
Gain = 01		$PV_{DD} \geq 9\text{ V}$		8.75		V peak
Gain = 10		$PV_{DD} \geq 12.6\text{ V}$		12.5		V peak
Gain = 11		$PV_{DD} = 16\text{ V}$		15.5		V peak
<b>SHUTDOWN CONTROL<sup>1</sup></b>						
Turn On Time, Volume Ramp Disabled	$t_{WU}$	Time from SPWDN = 0 to output switching, DAC_HV = 1 or DAC_MUTE_x = 1, $t_{WU} = 4\text{ FSYNC}$ cycles to 7 FSYNC cycles + 7.68 ms				
Sampling frequency ( $f_S$ ) = 12 kHz			8.01		8.27	ms
$f_S = 24\text{ kHz}$			7.84		7.98	ms
$f_S = 48\text{ kHz}$			7.76		7.83	ms
$f_S = 96\text{ kHz}$			7.72		7.76	ms
$f_S = 192\text{ kHz}$			7.70		7.72	ms
Turn On Time, Volume Ramp Enabled	$t_{WUR}$	Time from SPWDN = 0 to full volume output switching, DAC_HV = 0 and DAC_MUTE_x = 0, VOL_x = 0x40				
$f_S = 12\text{ kHz}$		$t_{WUR} = t_{WU} + 15.83\text{ ms}$	23.84		24.10	ms
$f_S = 24\text{ kHz}$		$t_{WUR} = t_{WU} + 15.83\text{ ms}$	23.67		23.81	ms
$f_S = 48\text{ kHz}$		$t_{WUR} = t_{WU} + 15.83\text{ ms}$	23.59		23.66	ms
$f_S = 96\text{ kHz}$		$t_{WUR} = t_{WU} + 7.92\text{ ms}$	15.64		15.68	ms
$f_S = 192\text{ kHz}$		$t_{WUR} = t_{WU} + 0.99\text{ ms}$	8.69		8.71	ms
Turn Off Time, Volume Ramp Disabled	$t_{SD}$	Time from SPWDN = 1 to full power-down, DAC_HV = 1 or DAC_MUTE_x = 1		100		$\mu\text{s}$

Parameter	Symbol	Test Conditions/Comments	Min	Typ	Max	Unit
Turn Off Time, Volume Ramp Enabled	$t_{SDR}$	Time from SPWDN = 1 to full power-down, DAC_HV = 0 and DAC_MUTE_x = 0, VOL_x = 0x40				
$f_s = 12$ kHz		$t_{SDR} = t_{SD} + 15.83$ ms		15.932		ms
$f_s = 24$ kHz		$t_{SDR} = t_{SD} + 7.92$ ms		8.016		ms
$f_s = 48$ kHz		$t_{SDR} = t_{SD} + 15.83$ ms		15.932		ms
$f_s = 96$ kHz		$t_{SDR} = t_{SD} + 15.83$ ms		15.932		ms
$f_s = 192$ kHz		$t_{SDR} = t_{SD} + 15.83$ ms		15.932		ms
Output Impedance	$Z_{OUT}$		100			k $\Omega$
NOISE PERFORMANCE <sup>2</sup>						
Output Voltage Noise	$e_n$	Stereo mode f = 20 Hz to 20 kHz, A weighted, PV <sub>DD</sub> = 12 V, 8 $\Omega$ f = 20 Hz to 20 kHz, A weighted, PV <sub>DD</sub> = 16 V, 8 $\Omega$ f = 20 Hz to 20 kHz, A weighted, PV <sub>DD</sub> = 12 V, 4 $\Omega$ f = 20 Hz to 20 kHz, A weighted, PV <sub>DD</sub> = 16 V, 4 $\Omega$		37.8 38.5 36.8 36.3		$\mu$ V rms $\mu$ V rms $\mu$ V rms $\mu$ V rms
Signal-to-Noise Ratio	SNR	Mono mode f = 20 Hz to 20 kHz, A weighted, PV <sub>DD</sub> = 12 V, 2 $\Omega$ f = 20 Hz to 20 kHz, A weighted, PV <sub>DD</sub> = 16 V, 2 $\Omega$ P <sub>O</sub> = 8.1 W, R <sub>L</sub> = 8 $\Omega$ , A <sub>v</sub> = 19 dB, PV <sub>DD</sub> = 12 V, A weighted P <sub>O</sub> = 14.4 W, R <sub>L</sub> = 8 $\Omega$ , A <sub>v</sub> = 21 dB, PV <sub>DD</sub> = 16 V, A weighted P <sub>O</sub> = 14.67 W, R <sub>L</sub> = 4 $\Omega$ , A <sub>v</sub> = 19 dB, PV <sub>DD</sub> = 12 V, A weighted P <sub>O</sub> = 25.58 W, R <sub>L</sub> = 4 $\Omega$ , A <sub>v</sub> = 21 dB, PV <sub>DD</sub> = 16 V, A weighted Mono mode P <sub>O</sub> = 28.55 W, R <sub>L</sub> = 2 $\Omega$ , A <sub>v</sub> = 19 dB, PV <sub>DD</sub> = 12 V, A weighted P <sub>O</sub> = 49.69 W, R <sub>L</sub> = 2 $\Omega$ , A <sub>v</sub> = 21 dB, PV <sub>DD</sub> = 16 V, A weighted		42 48 106.5 108.9 106.3 108.9 102.6 101.1	57 82	$\mu$ V rms $\mu$ V rms dB dB dB dB dB dB
PV <sub>DD</sub> ADC PERFORMANCE						
PV <sub>DD</sub> Sense Full-Scale Range		PV <sub>DD</sub> with full-scale ADC output	3.8		16.2	V
PV <sub>DD</sub> Sense Absolute Accuracy		PV <sub>DD</sub> = 15 V	-8		+8	LSB
Resolution		PV <sub>DD</sub> = 5 V	-6	8	+6	LSB
Temperature Sense ADC		Unsigned 8-bit output with 3.8 V offset				Bits
Temperature Sense Range			-60		+160	$^{\circ}$ C
Temperature Sense Accuracy				$\pm 5$	$\pm 11$	$^{\circ}$ C
DIE TEMPERATURE						
Overtemperature Warning			104	117		$^{\circ}$ C
Overtemperature Protection			137	145		$^{\circ}$ C
UNDERVOLTAGE FAULT						
AVDD Pin Supply	AV <sub>DD</sub>			3.6		V
PVDD Pin Supply	PV <sub>DD</sub>			3.6		V

<sup>1</sup> Guaranteed by design.<sup>2</sup> Noise performance is based on the bench data for T<sub>A</sub> = -40 $^{\circ}$ C to +85 $^{\circ}$ C.

Software master power-down indicates that the clocks are turned off. Automatic power-down indicates that there is no dither or zero input signal with clocks on. The device enters soft power-down after 2048 cycles of zero input values. Quiescent indicates triangular dither with zero input signal. All specifications are typical, with a 48 kHz sample rate, in stereo mode, unless otherwise noted.

**Table 2. Power Supply Current Consumption, No Load<sup>1</sup>**

Edge Rate Control Mode	Internal Regulator	Test Conditions	I <sub>PVDD</sub>			I <sub>DVDD</sub>	I <sub>AVDD</sub>	Unit
			PV <sub>DD</sub> = 5 V	PV <sub>DD</sub> = 12 V	PV <sub>DD</sub> = 16 V	PV <sub>DD</sub> = 1.8 V	PV <sub>DD</sub> = 5 V	
Normal	Disabled	Software master power-down	0.065	0.065	0.065	2.68	7.542	μA
		Automatic power-down	0.065	0.065	0.065	43.72	7.542	μA
		Quiescent	2.54	4.94	6.25	0.945	6.335	mA
	Enabled	Software master power-down	0.065	0.065	0.065	N/A	N/A	μA
		Automatic power-down	209	286	329	N/A	N/A	μA
		Quiescent	9.78	12.38	14.05	N/A	N/A	mA
Low EMI	Disabled	Software master power-down	0.065	0.065	0.065	2.68	7.542	μA
		Automatic power-down	0.065	0.065	0.065	43.72	7.542	μA
		Quiescent	2.56	5.01	6.31	0.945	6.171	mA
	Enabled	Software master power-down	0.065	0.065	0.065	N/A	N/A	μA
		Automatic power-down	209	286	329	N/A	N/A	μA
		Quiescent	9.69	12.09	13.74	N/A	N/A	mA

<sup>1</sup> N/A means not applicable.

**Table 3. Power Supply Current Consumption, 4 Ω + 15 μH<sup>1</sup>**

Edge Rate Control Mode	Internal Regulator	Test Conditions	I <sub>PVDD</sub>			I <sub>DVDD</sub>	I <sub>AVDD</sub>	Unit
			PV <sub>DD</sub> = 5 V	PV <sub>DD</sub> = 12 V	PV <sub>DD</sub> = 16 V	PV <sub>DD</sub> = 1.8 V	PV <sub>DD</sub> = 5 V	
Normal	Disabled	Software master power-down	0.065	0.065	0.065	2.68	7.542	μA
		Automatic power-down	0.065	0.065	0.065	43.72	7.542	μA
		Quiescent	2.6	4.93	6.25	0.945	6.477	mA
	Enabled	Software master power-down	0.065	0.065	0.065	N/A	N/A	μA
		Automatic power-down	209	286	329	N/A	N/A	μA
		Quiescent	9.83	12.34	13.58	N/A	N/A	mA
Low EMI	Disabled	Software master power-down	0.065	0.065	0.065	2.68	7.542	μA
		Automatic power-down	0.065	0.065	0.065	43.72	7.542	μA
		Quiescent	2.51	4.62	5.6	0.945	6.182	mA
	Enabled	Software master power-down	0.065	0.065	0.065	N/A	N/A	μA
		Automatic power-down	209	286	329	N/A	N/A	μA
		Quiescent	9.64	11.86	12.87	N/A	N/A	mA

<sup>1</sup> N/A means not applicable.

Table 4. Power Supply Current Consumption,  $8\ \Omega + 33\ \mu\text{H}$ <sup>1</sup>

Edge Rate Control Mode	Internal Regulator	Test Conditions	I <sub>PVDD</sub>			I <sub>DVDD</sub>	I <sub>AVDD</sub>	Unit
			PV <sub>DD</sub> = 5 V	PV <sub>DD</sub> = 12 V	PV <sub>DD</sub> = 16 V	PV <sub>DD</sub> = 1.8 V	PV <sub>DD</sub> = 5 V	
Normal	Disabled	Software master power-down	0.065	0.065	0.065	2.68	7.542	μA
		Automatic power-down	0.065	0.065	0.065	43.72	7.542	μA
		Quiescent	2.59	5.02	6.31	0.942	6.432	mA
	Enabled	Software master power-down	0.065	0.065	0.065	N/A	N/A	μA
		Automatic power-down	209	286	329	N/A	N/A	μA
		Quiescent	9.82	12.39	13.73	N/A	N/A	mA
Low EMI	Disabled	Software master power-down	0.065	0.065	0.065	2.68	7.542	μA
		Automatic power-down	0.065	0.065	0.065	43.72	7.542	μA
		Quiescent	2.57	4.86	6.02	0.942	6.232	mA
	Enabled	Software master power-down	0.065	0.065	0.065	N/A	N/A	μA
		Automatic power-down	209	286	329	N/A	N/A	μA
		Quiescent	9.65	12.02	13.18	N/A	N/A	mA

<sup>1</sup> N/A means not applicable.

Table 5. Power-Down Current

Parameter	Symbol	Test Conditions/Comments	Min	Typ	Max	Unit	
POWER-DOWN CURRENT	I <sub>PVDD</sub>	External AV <sub>DD</sub> = 5 V and DV <sub>DD</sub> = 1.8 V, software master power-down, no BCLK/FSYNC					
		PV <sub>DD</sub> = 5 V		65	463	nA	
		PV <sub>DD</sub> = 12 V		65	744	nA	
	I <sub>AVDD</sub>	PV <sub>DD</sub> = 16 V		65	935	nA	
		AV <sub>DD</sub> = 5 V external			7.542	22.64	μA
		DV <sub>DD</sub> = 1.8 V external			2.7	27.27	μA

## DIGITAL INPUT/OUTPUT SPECIFICATIONS

Table 6.

Parameter	Min	Typ	Max	Unit
INPUT VOLTAGE <sup>1</sup>				
BCLK, FSYNC, SDATA, SCL, and SDA Pins				
High (V <sub>IH</sub> )	0.7 × DV <sub>DD</sub>		5.5	V
Low (V <sub>IL</sub> )	-0.3		+0.3 × DV <sub>DD</sub>	V
INPUT LEAKAGE				
BCLK, FSYNC, SDATA, ADDR <sub>x</sub> , SCL, and SDA Pins				
High (I <sub>IH</sub> )			1	μA
Low (I <sub>IL</sub> )			1	μA
INPUT CAPACITANCE			5	pF
OUTPUT DRIVE STRENGTH <sup>1</sup>				
SDA	3		5	mA
SAMPLE RATE (FSYNC FREQUENCY)	8		192	kHz

<sup>1</sup> The pull-up resistor for SCL and SDA must be scaled according to the external pull-up voltage in the system. The typical value for a pull-up resistor for 1.8 V is 2.2 kΩ.



**DIGITAL TIMING SPECIFICATIONS**

All timing specifications are given for the default setting (I<sup>2</sup>S mode) of the serial input port.

Table 7.

Parameter	Limit		Unit	Description
	Min	Max		
<b>I<sup>2</sup>C PORT</b>				
f <sub>SCL</sub>		400	kHz	SCL frequency
t <sub>SCLH</sub>	0.26		μs	SCL high
t <sub>SCLL</sub>	0.5		μs	SCL low
t <sub>SCS</sub>	0.26		μs	Setup time; relevant for repeated start condition
t <sub>SCH</sub>	0.26		μs	Hold time; after this period, the first clock is generated
t <sub>DS</sub>	50		ns	Data setup time
t <sub>DH</sub>	0.14		μs	Data hold time
t <sub>SCR</sub>		120	ns	SCL rise time
t <sub>SCF</sub>		120	ns	SCL fall time
t <sub>SDR</sub>		120	ns	SDA rise time
t <sub>SDF</sub>		120	ns	SDA fall time
t <sub>BFT</sub>	0.5		μs	Bus free time (time between stop and start)

**DIGITAL INPUT TIMING SPECIFICATIONS**

Table 8.

Parameter	Limit		Unit	Description
	Min	Max		
<b>SERIAL PORT</b>				
t <sub>BIL</sub>	10		ns	BCLK low pulse width
t <sub>BIH</sub>	10		ns	BCLK high pulse width
t <sub>SIS</sub>	4		ns	SDATA setup; time to BCLK rising
t <sub>SIH</sub>	4		ns	SDATA hold; time from BCLK rising
t <sub>LIS</sub>	5		ns	FSYNC setup time to BCLK rising
t <sub>LIH</sub>	5		ns	FSYNC hold time to BCLK rising
t <sub>BP</sub>	20		ns	Minimum BCLK period

**Digital Timing Diagrams**

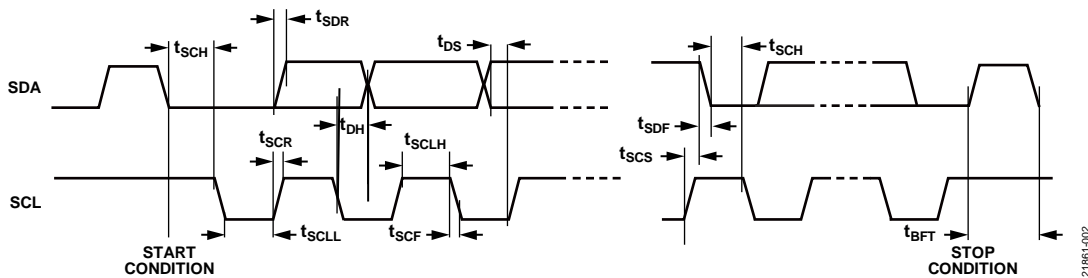
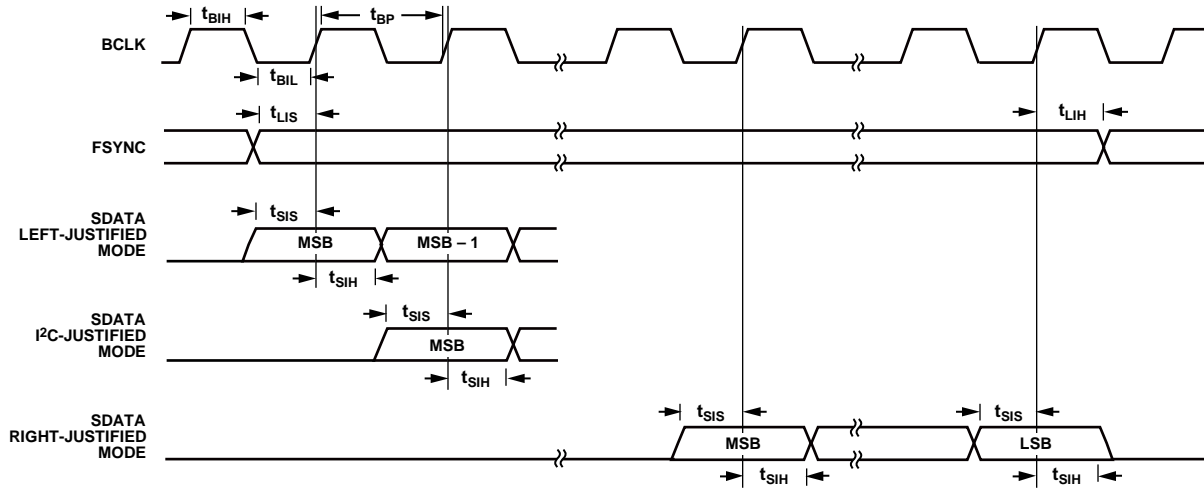


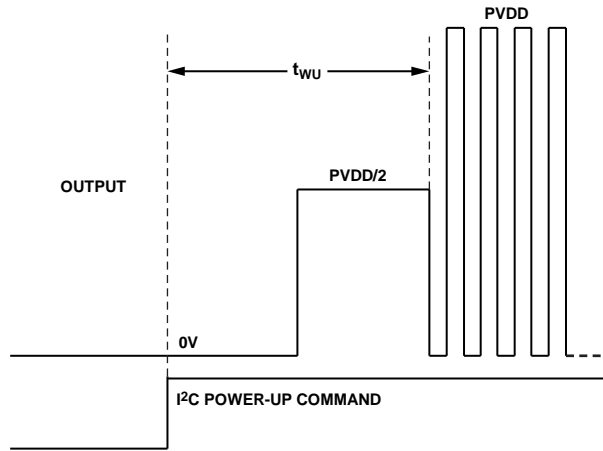
Figure 2. I<sup>2</sup>C Port Timing

21881-002



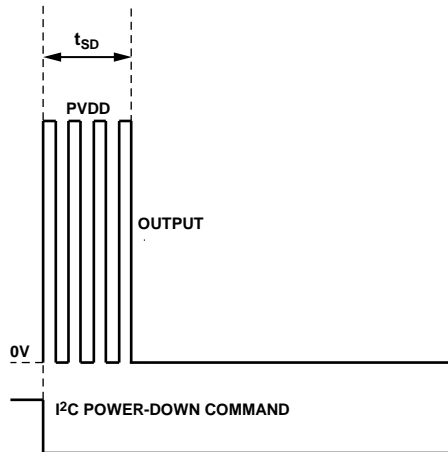
218861-003

Figure 3. Serial Input Port Timing



218861-004

Figure 4. Turn On Time, Hard Volume



218861-005

Figure 5. Turn Off Time, Hard Volume

## ABSOLUTE MAXIMUM RATINGS

Absolute maximum ratings apply at 25°C, unless otherwise noted.

Table 9.

Parameter	Rating
PVDD Supply Voltage	−0.3 V to +17 V
DVDD Supply Voltage	−0.3 V to +1.98 V
AVDD Supply Voltage	−0.3 V to +5.5 V
PGND and AGND Differential	±0.3 V
Digital Input Pins FSYNC, BCLK, SDATA, SCL, SDA	−0.3 V to +5.5 V
Analog Input Pins ADDRx	−0.3 V to +1.98 V
AVDD_EN	−0.3 V to +17 V
DVDD_EN	−0.3 V to +5.5 V
Electrostatic Discharge (ESD) Susceptibility	
Human Body Model	2 kV
Charged Device Model	1 kV
Temperature Range	
Storage	−65°C to +150°C
Operating	−40°C to +85°C
Junction	−65°C to +150°C
Lead Temperature (Soldering, 60 sec)	300°C

Stresses at or above those listed under Absolute Maximum Ratings may cause permanent damage to the product. This is a stress rating only; functional operation of the product at these or any other conditions above those indicated in the operational section of this specification is not implied. Operation beyond the maximum operating conditions for extended periods may affect product reliability.

## THERMAL RESISTANCE

Thermal performance is directly linked to printed circuit board (PCB) design and operating environment. Careful attention to PCB thermal design is required.

$\theta_{JA}$  is the junction to air temperature, and  $\theta_{JC}$  is the junction to case temperature, and both are specified for the worst case conditions, that is, a device soldered in a circuit board for surface-mount packages.

Table 10. Thermal Resistance

Package Type	$\theta_{JA}^1$	$\theta_{JC}^1$	Unit
CP-40-7	27	1.1	°C/W

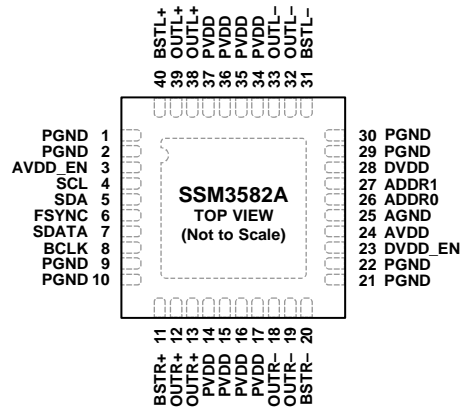
<sup>1</sup>  $\theta_{JA}$  and  $\theta_{JC}$  are determined according to JE51-9 on a 4-layer (2s2p) PCB with natural convection cooling.

## ESD CAUTION



**ESD (electrostatic discharge) sensitive device.** Charged devices and circuit boards can discharge without detection. Although this product features patented or proprietary protection circuitry, damage may occur on devices subjected to high energy ESD. Therefore, proper ESD precautions should be taken to avoid performance degradation or loss of functionality.

## PIN CONFIGURATION AND FUNCTION DESCRIPTIONS



NOTES  
1. USE MULTIPLE VIAS TO CONNECT THE EXPOSED PAD TO THE GROUND PLANE ON THE PCB.

21B81-004

Figure 6. Pin Configuration

Table 11. Pin Function Descriptions

Pin No.	Mnemonic	Type <sup>1</sup>	Description
1	PGND	PWR	Left Channel Power Stage Ground.
2	PGND	PWR	Left Channel Power Stage Ground.
3	AVDD_EN	AIN	5 V AVDD Regulator Enable. Connect this pin to PVDD to enable the AVDD regulator or connect to AGND to disable the regulator. When this pin is connected to PVDD, the regulator is enabled. When this pin is connected to AGND, the regulator is disabled.
4	SCL	DIN	I <sup>2</sup> C Clock Input.
5	SDA	DIO	I <sup>2</sup> C Data.
6	FSYNC	DIN	I <sup>2</sup> S/TDM Frame Sync Input.
7	SDATA	DIN	I <sup>2</sup> S/TDM Serial Data Input.
8	BCLK	DIN	I <sup>2</sup> S/TDM Bit Clock Input.
9	PGND	PWR	Right Channel Power Stage Ground.
10	PGND	PWR	Right Channel Power Stage Ground.
11	BSTR+	AIN	Bootstrap Input, Right Channel Noninverting.
12	OUTR+	AOUT	Right Channel Noninverting Output.
13	OUTR+	AOUT	Right Channel Noninverting Output.
14	PVDD	PWR	Right Channel Power Stage Supply.
15	PVDD	PWR	Right Channel Power Stage Supply.
16	PVDD	PWR	Right Channel Power Stage Supply.
17	PVDD	PWR	Right Channel Power Stage Supply.
18	OUTR-	AOUT	Right Channel Inverting Output.
19	OUTR-	AOUT	Right Channel Inverting Output.
20	BSTR-	AIN	Bootstrap Input, Right Channel Inverting.
21	PGND	PWR	Right Channel Power Stage Ground.
22	PGND	PWR	Right Channel Power Stage Ground.
23	DVDD_EN	AIN	1.8 V DVDD Regulator Enable. Connect this pin to AVDD to enable the DVDD regulator or connect to AGND to disable the regulator. When this pin is connected to AVDD, the regulator is enabled. When this pin is connected to AGND, the regulator is disabled.
24	AVDD	PWR	Analog Supply 5 V Regulator Output/External 5 V Input.
25	AGND	PWR	Analog Ground.
26	ADDR0	AIN	Address Select 0 (See Table 14).
27	ADDR1	AIN	Address Select 1 (See Table 14).

Pin No.	Mnemonic	Type <sup>1</sup>	Description
28	DVDD	PWR	Digital Supply 1.8 V Regulator Output/External 1.8 V Input.
29	PGND	PWR	Left Channel Power Stage Ground.
30	PGND	PWR	Left Channel Power Stage Ground.
31	BSTL-	AIN	Bootstrap Input, Left Channel Inverting.
32	OUTL-	AOUT	Left Channel Inverting Output.
33	OUTL-	AOUT	Left Channel Inverting Output.
34	PVDD	PWR	Left Channel Power Stage Supply.
35	PVDD	PWR	Left Channel Power Stage Supply.
36	PVDD	PWR	Left Channel Power Stage Supply.
37	PVDD	PWR	Left Channel Power Stage Supply.
38	OUTL+	AOUT	Left Channel Noninverting Output.
39	OUTL+	AOUT	Left Channel Noninverting Output.
40	BSTL+	AIN	Bootstrap Input, Left Channel Noninverting.
	EPAD		Exposed Pad. Use multiple vias to connect the exposed pad to the ground plane on the PCB.

<sup>1</sup> PWR is power supply or ground pin, AIN is analog input, DIN is digital input, DIO is digital input/output, and AOUT is analog output.

TYPICAL PERFORMANCE CHARACTERISTICS

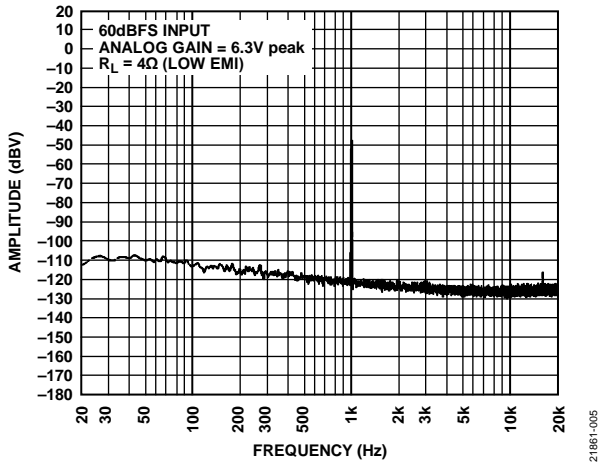


Figure 7. Amplitude vs. Frequency, 60 dBFS Input, Analog Gain = 6.3 V peak

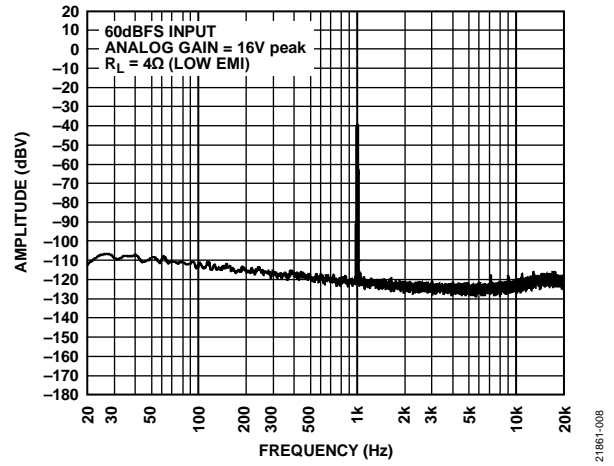


Figure 10. Amplitude vs. Frequency, 60 dBFS Input, Analog Gain = 16 V peak

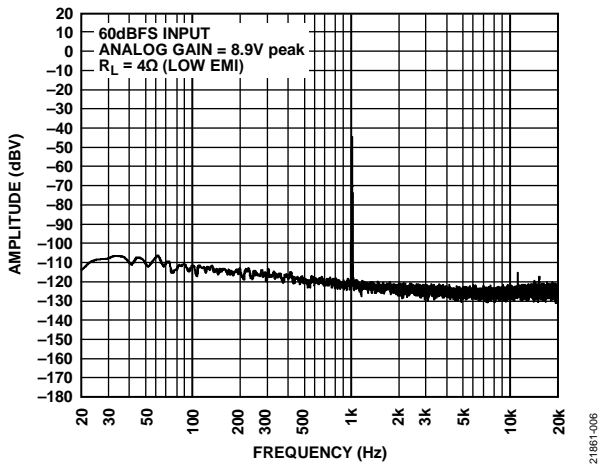


Figure 8. Amplitude vs. Frequency, 60 dBFS Input, Analog Gain = 8.9 V peak

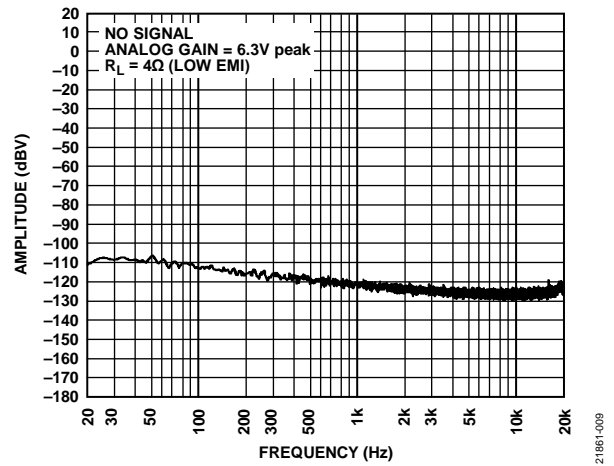


Figure 11. Amplitude vs. Frequency, No Signal, Analog Gain = 6.3 V peak

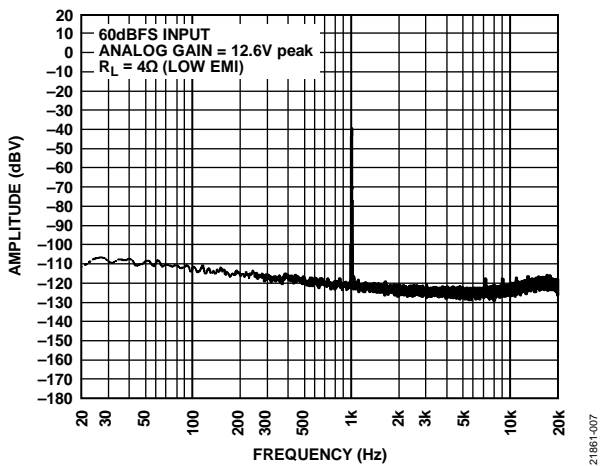


Figure 9. Amplitude vs. Frequency, 60 dBFS Input, Analog Gain = 12.6 V peak

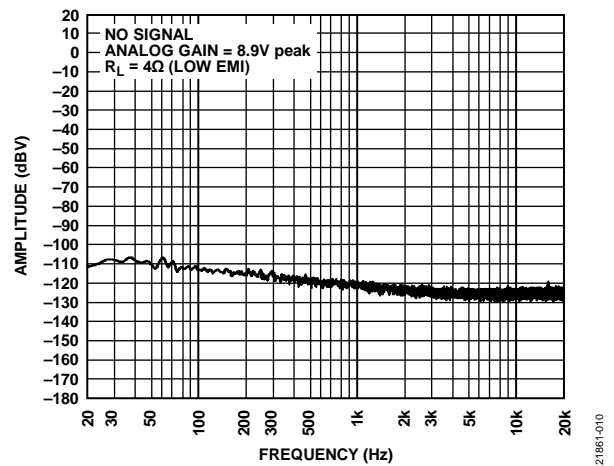


Figure 12. Amplitude vs. Frequency, No Signal, Analog Gain = 8.9 V peak

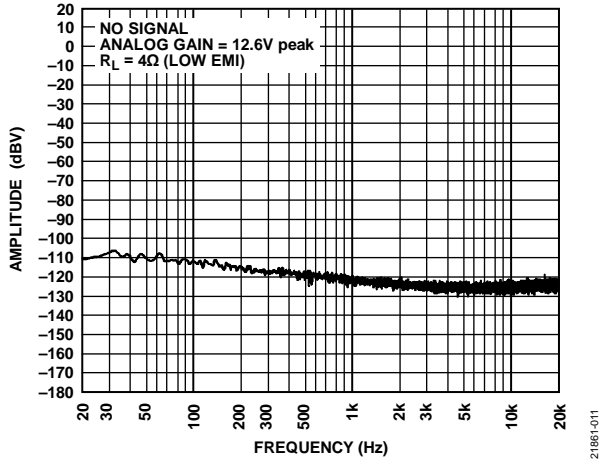


Figure 13. Amplitude vs. Frequency, No Signal, Analog Gain = 12.6 V peak

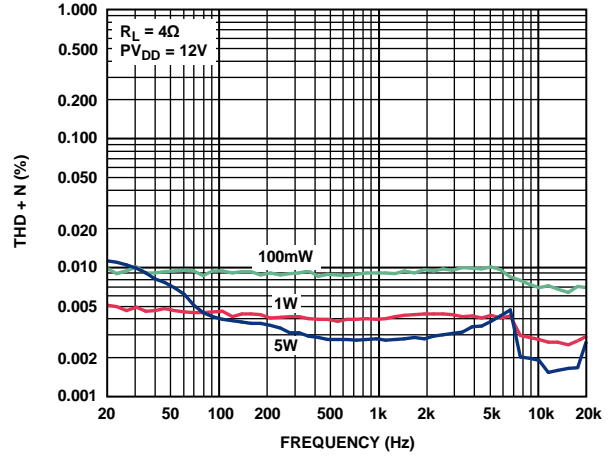


Figure 16. THD + N vs. Frequency,  $R_L = 4\ \Omega$ ,  $PV_{DD} = 12\ V$

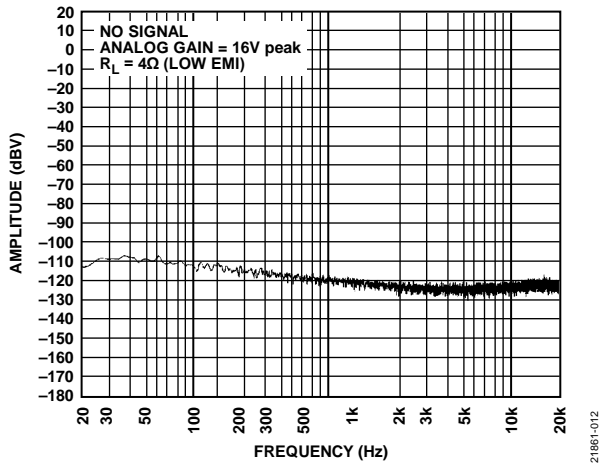


Figure 14. Amplitude vs. Frequency, No Signal, Analog Gain = 16 V peak

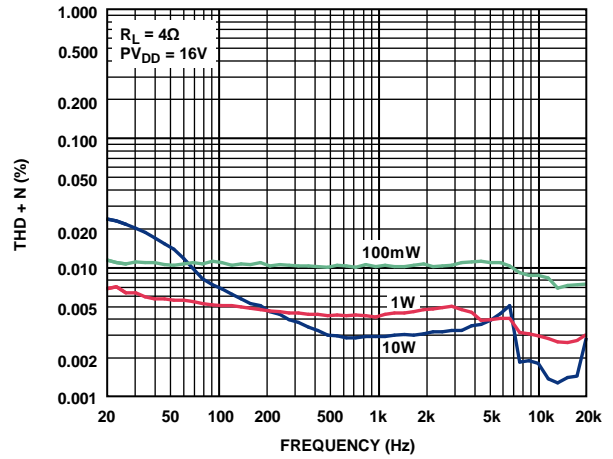


Figure 17. THD + N vs. Frequency,  $R_L = 4\ \Omega$ ,  $PV_{DD} = 16\ V$

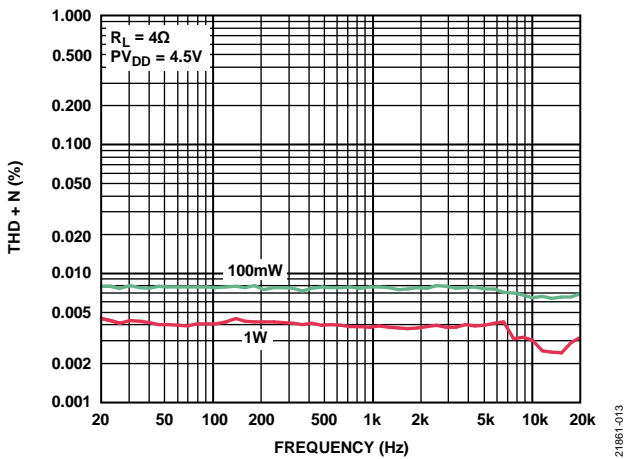


Figure 15. THD + N vs. Frequency,  $R_L = 4\ \Omega$ ,  $PV_{DD} = 4.5\ V$

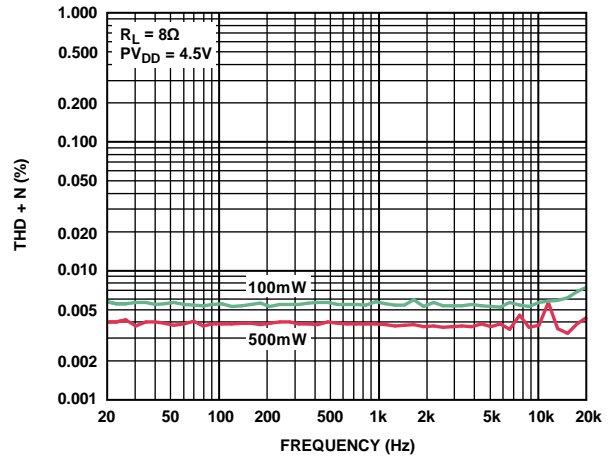


Figure 18. THD + N vs. Frequency,  $R_L = 8\ \Omega$ ,  $PV_{DD} = 4.5\ V$

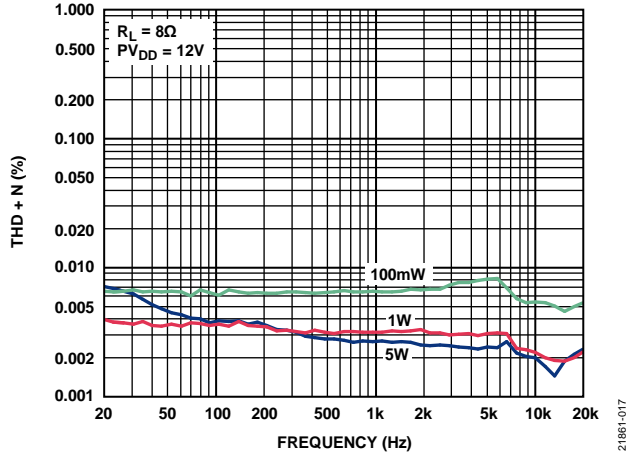


Figure 19. THD + N vs. Frequency,  $R_L = 8\Omega$ ,  $PV_{DD} = 12V$

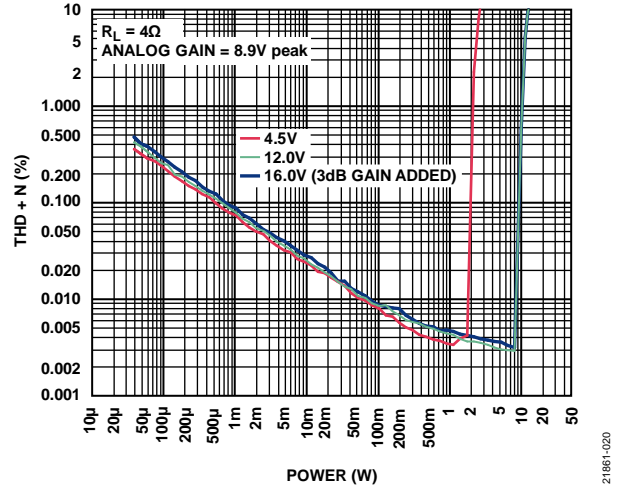


Figure 22. THD + N vs. Power,  $R_L = 4\Omega$ , Analog Gain = 8.9 V peak

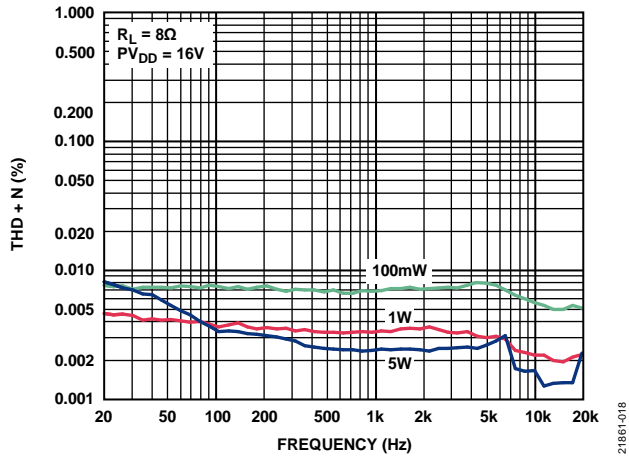


Figure 20. THD + N vs. Frequency,  $R_L = 8\Omega$ ,  $PV_{DD} = 16V$

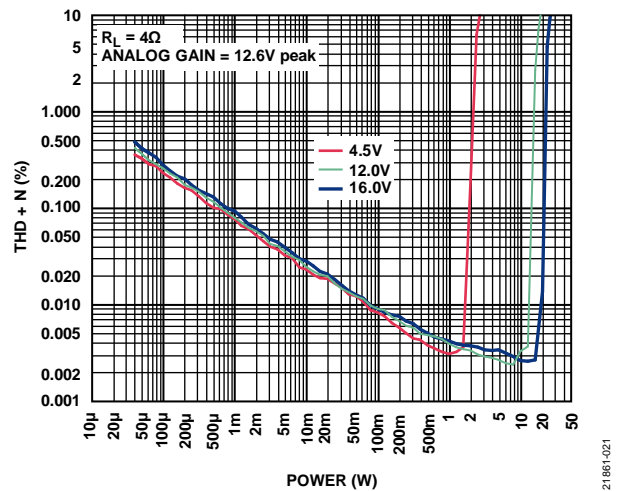


Figure 23. THD + N vs. Power,  $R_L = 4\Omega$ , Analog Gain = 12.6 V peak

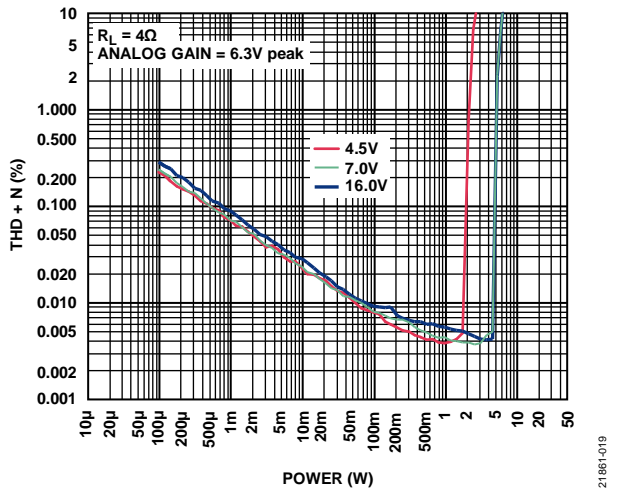


Figure 21. THD + N vs. Power,  $R_L = 4\Omega$ , Analog Gain = 6.3 V peak

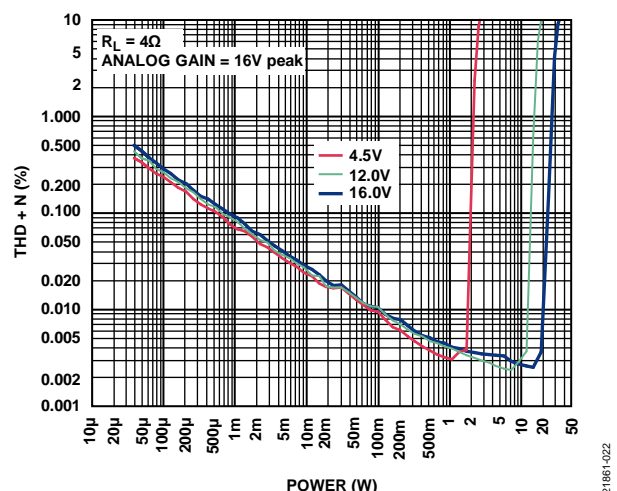


Figure 24. THD + N vs. Power,  $R_L = 4\Omega$ , Analog Gain = 16 V peak



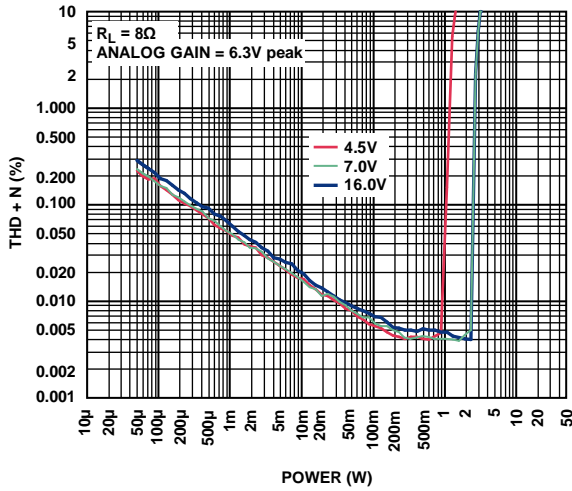


Figure 25. THD + N vs. Power,  $R_L = 8\Omega$ , Analog Gain = 6.3 V peak

21861-023

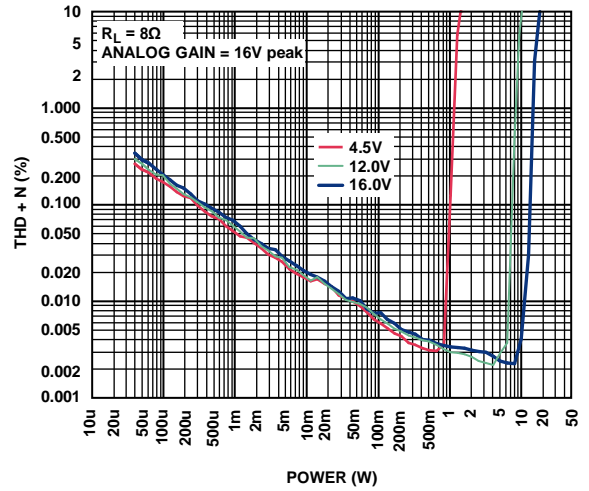


Figure 28. THD + N vs. Power,  $R_L = 8\Omega$ , Analog Gain = 16 V peak

21861-026

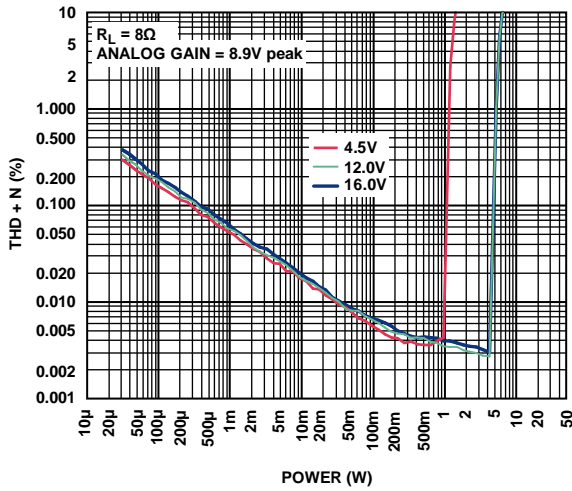


Figure 26. THD + N vs. Power,  $R_L = 8\Omega$ , Analog Gain = 8.9 V peak

21861-024

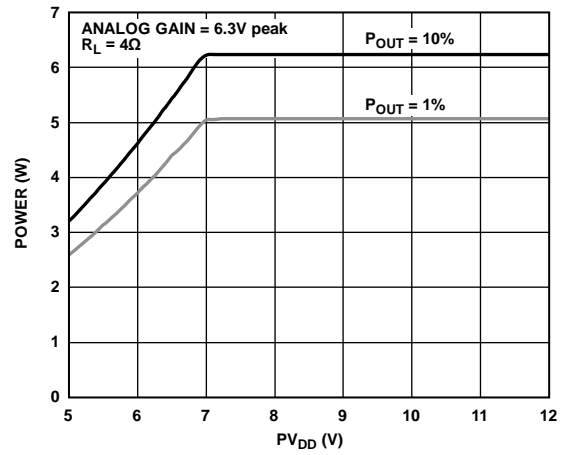


Figure 29. Power vs.  $P_{VDD}$ ,  $R_L = 4\Omega$ , Analog Gain = 6.3 V peak ( $P_{OUT}$  Means Output Power)

21861-028

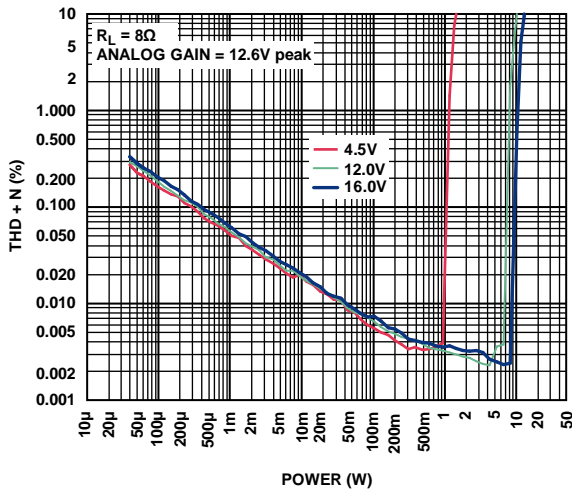


Figure 27. THD + N vs. Power,  $R_L = 8\Omega$ , Analog Gain = 12.6 V peak

21861-025

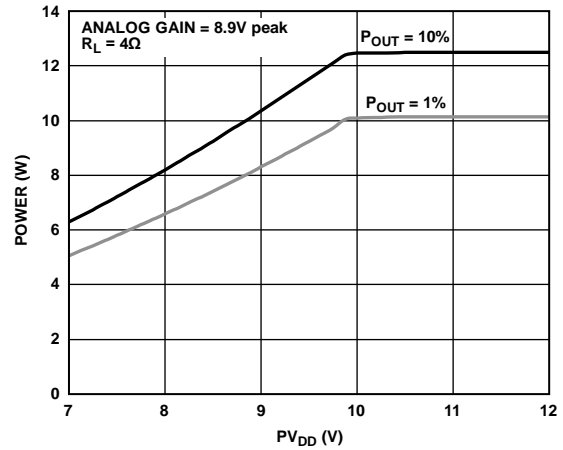


Figure 30. Power vs.  $P_{VDD}$ ,  $R_L = 4\Omega$ , Analog Gain = 8.9 V peak

21861-027

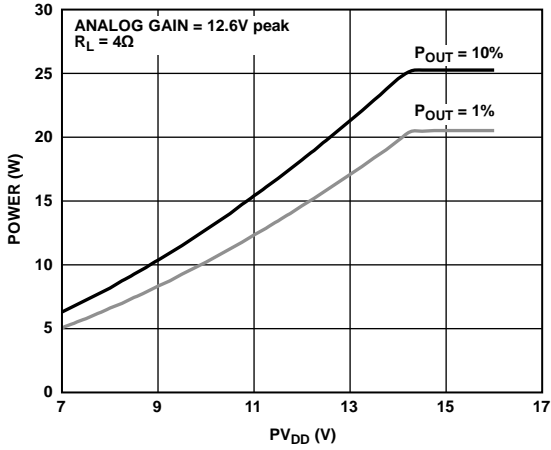


Figure 31. Power vs.  $PV_{DD}$ ,  $R_L = 4\Omega$ , Analog Gain = 12.6 V peak

21861-029

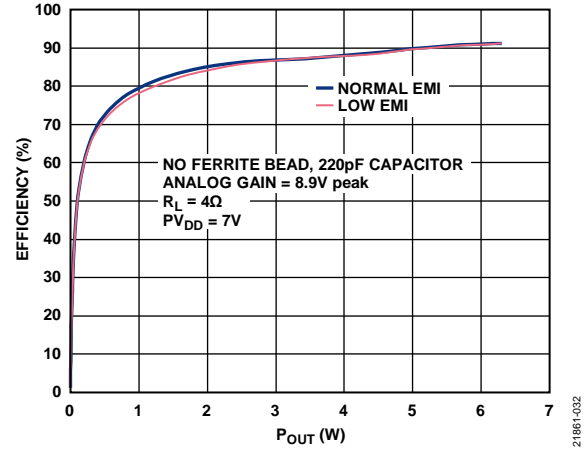


Figure 34. Efficiency vs.  $P_{OUT}$ , No Ferrite Bead, Analog Gain = 8.9 V peak,  $R_L = 4\Omega$ ,  $PV_{DD} = 7V$

21861-032

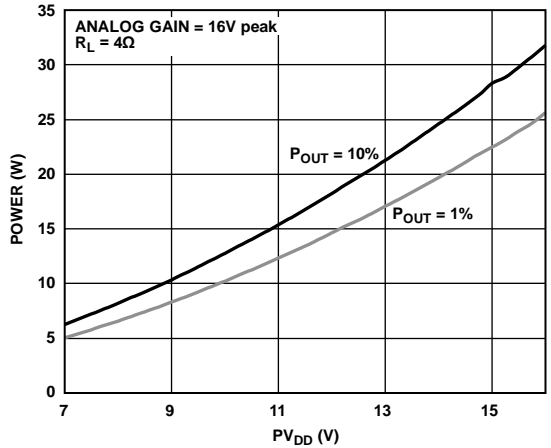


Figure 32. Power vs.  $PV_{DD}$ ,  $R_L = 4\Omega$ , Analog Gain = 16 V peak

21861-030

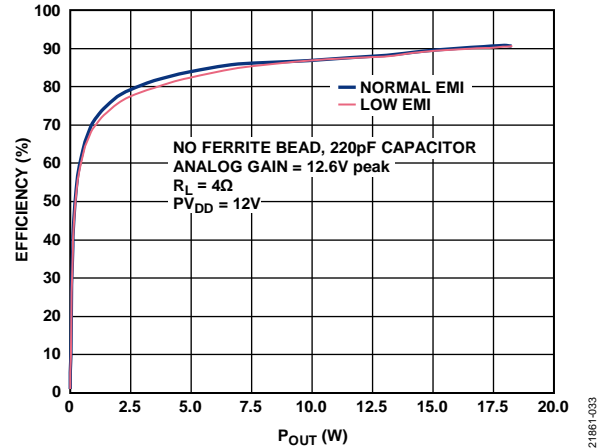


Figure 35. Efficiency vs.  $P_{OUT}$ , No Ferrite Bead, Analog Gain = 12.6 V peak,  $R_L = 4\Omega$ ,  $PV_{DD} = 12V$

21861-033

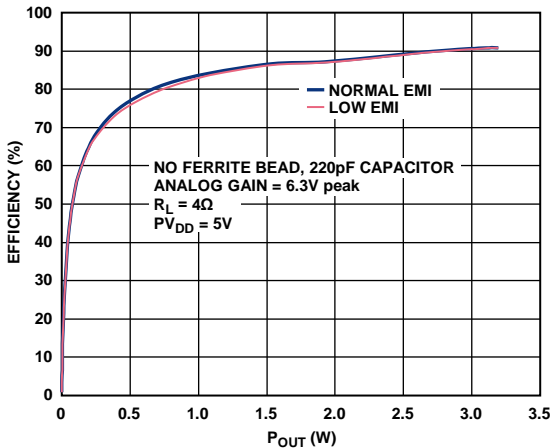


Figure 33. Efficiency vs.  $P_{OUT}$ , No Ferrite Bead, Analog Gain = 6.3 V peak,  $R_L = 4\Omega$ ,  $PV_{DD} = 5V$

21861-031

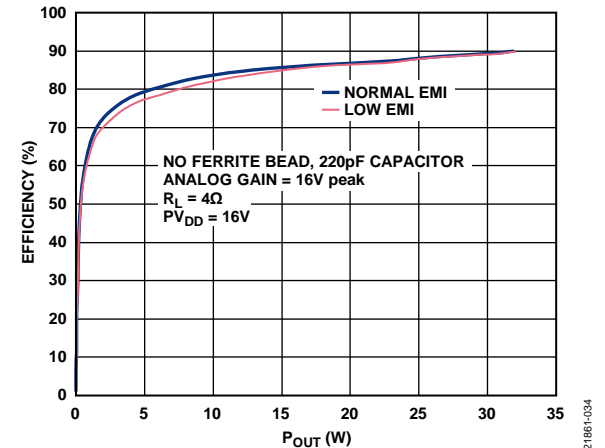


Figure 36. Efficiency vs.  $P_{OUT}$ , No Ferrite Bead, Analog Gain = 16 V peak,  $R_L = 4\Omega$ ,  $PV_{DD} = 16V$

21861-034

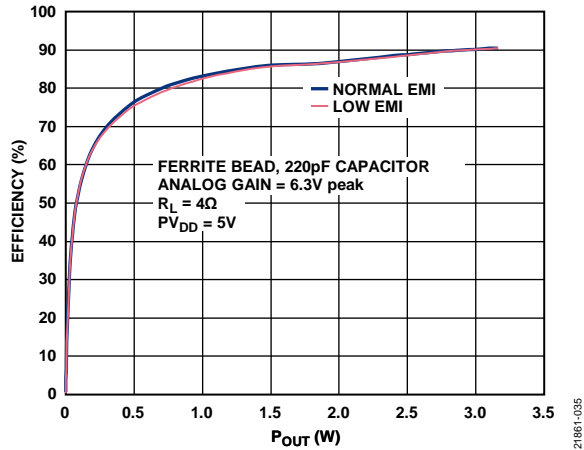


Figure 37. Efficiency vs.  $P_{OUT}$  with Ferrite Bead, Analog Gain = 6.3 V peak,  $R_L = 4\ \Omega$ ,  $P_{VDD} = 5\ V$

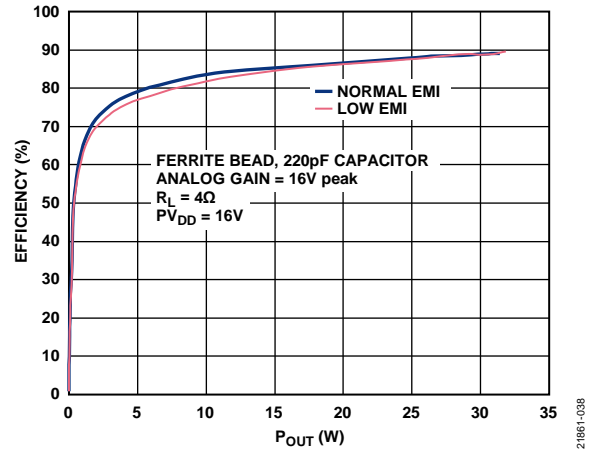


Figure 40. Efficiency vs.  $P_{OUT}$  with Ferrite Bead, Analog Gain = 16 V peak,  $R_L = 4\ \Omega$ ,  $P_{VDD} = 16\ V$

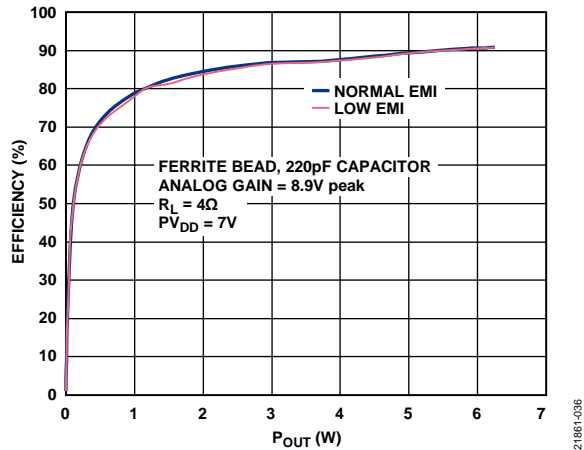


Figure 38. Efficiency vs.  $P_{OUT}$  with Ferrite Bead, Analog Gain = 8.9 V peak,  $R_L = 4\ \Omega$ ,  $P_{VDD} = 7\ V$

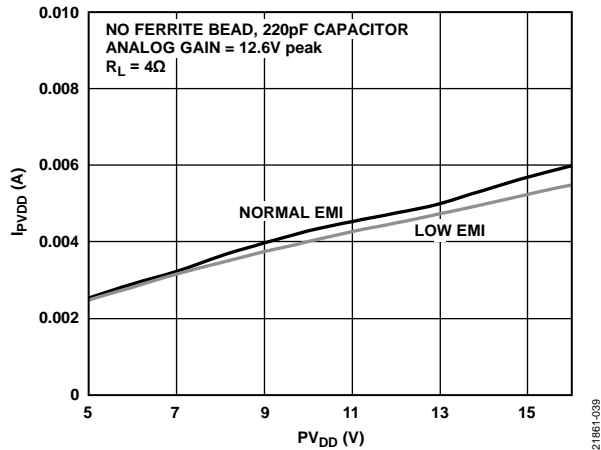


Figure 41.  $I_{PVDD}$  vs.  $P_{VDD}$ , No Ferrite Bead, Analog Gain = 12.6 V peak,  $R_L = 4\ \Omega$

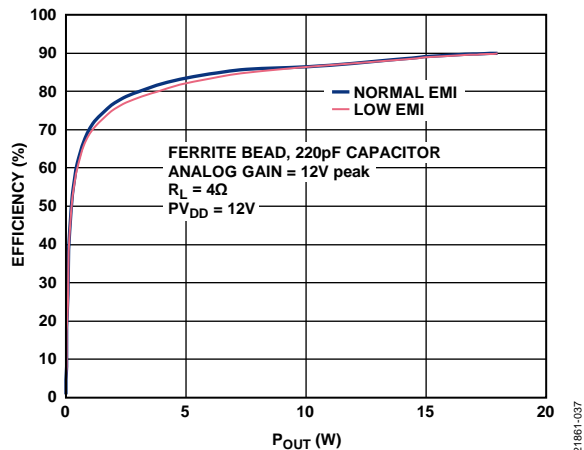


Figure 39. Efficiency vs.  $P_{OUT}$  with Ferrite Bead, Analog Gain = 12 V peak,  $R_L = 4\ \Omega$ ,  $P_{VDD} = 12\ V$

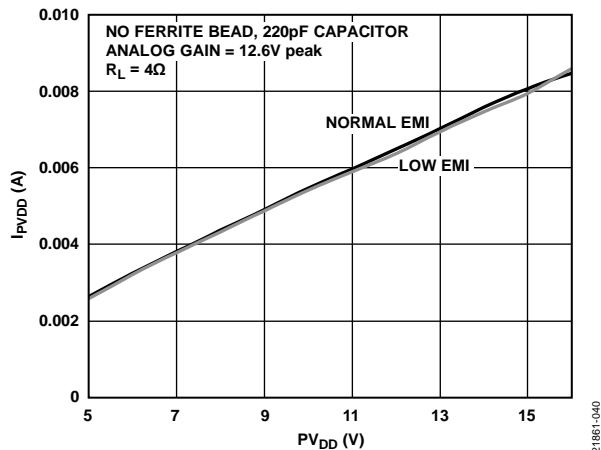


Figure 42.  $I_{PVDD}$  vs.  $P_{VDD}$ , No Ferrite Bead, Analog Gain = 12.6 V peak,  $R_L = 4\ \Omega$

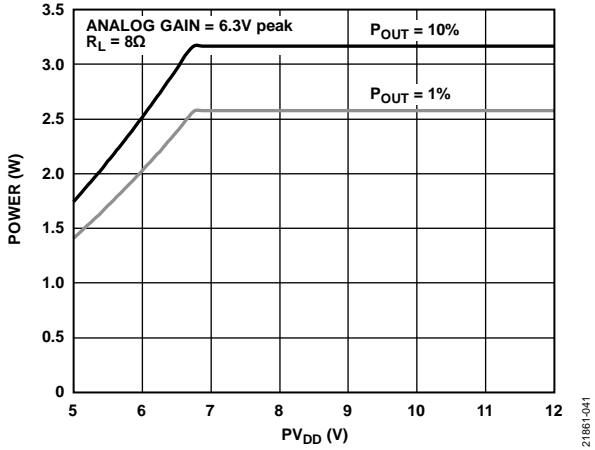


Figure 43. Power vs.  $PV_{DD}$ , Analog Gain = 6.3 V peak,  $R_L = 8\Omega$

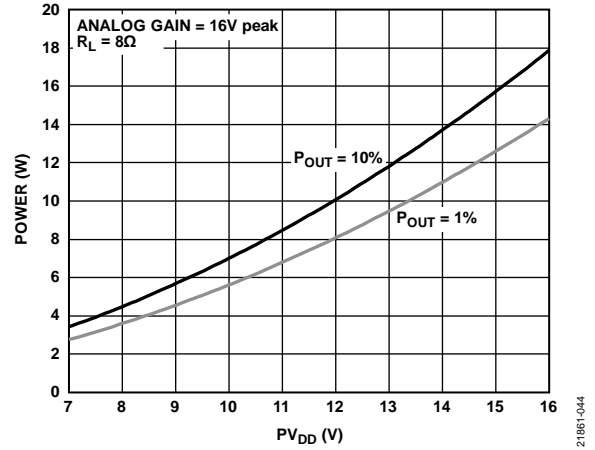


Figure 46. Power vs.  $PV_{DD}$ , Analog Gain = 16 V peak,  $R_L = 8\Omega$

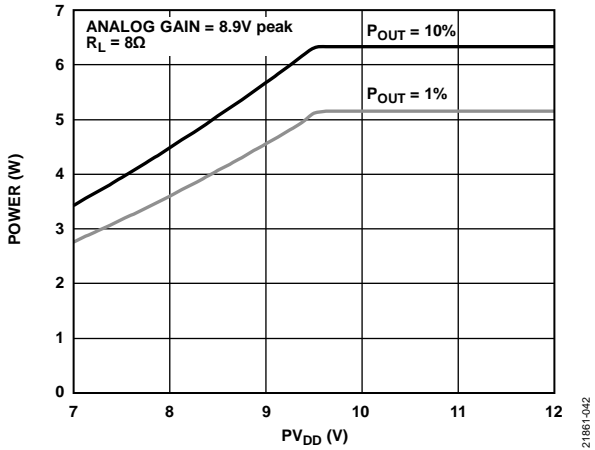


Figure 44. Power vs.  $PV_{DD}$ , Analog Gain = 8.9 V peak,  $R_L = 8\Omega$

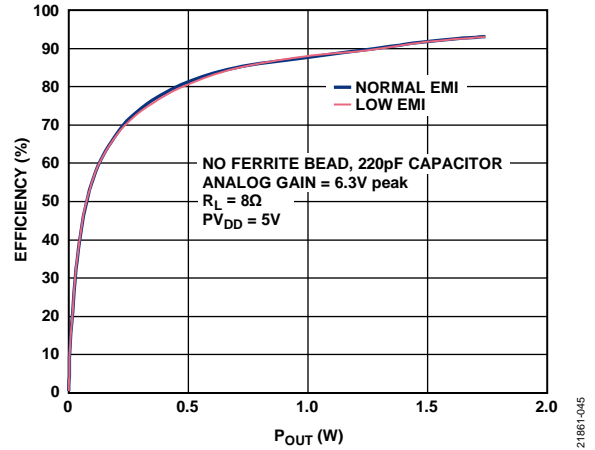


Figure 47. Efficiency vs.  $P_{OUT}$ , No Ferrite Bead, Analog Gain = 6.3 V peak,  $R_L = 8\Omega$ ,  $PV_{DD} = 5V$

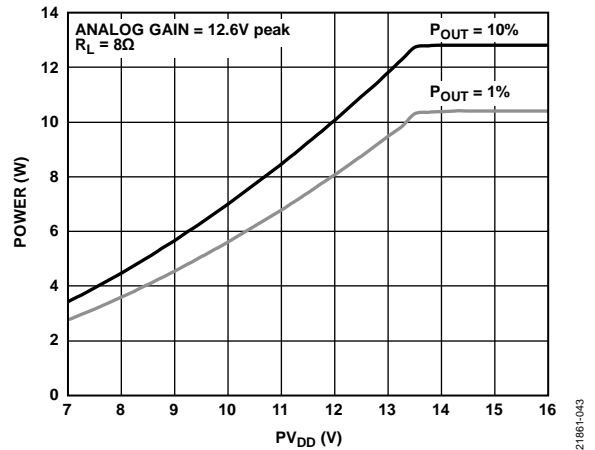


Figure 45. Power vs.  $PV_{DD}$ , Analog Gain = 12.6 V peak,  $R_L = 8\Omega$

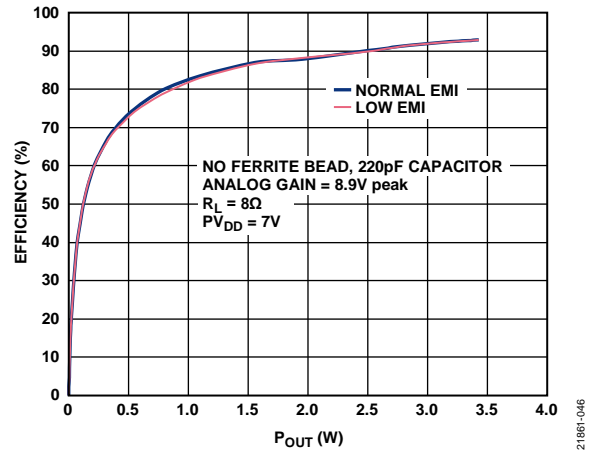


Figure 48. Efficiency vs.  $P_{OUT}$ , No Ferrite Bead, Analog Gain = 8.9 V peak,  $R_L = 8\Omega$ ,  $PV_{DD} = 7V$

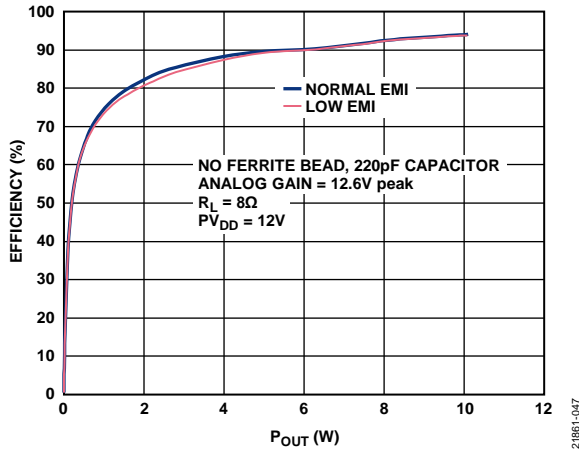


Figure 49. Efficiency vs.  $P_{OUT}$ , No Ferrite Bead, Analog Gain = 12.6 V peak,  $R_L = 8\ \Omega$ ,  $PV_{DD} = 12\ V$

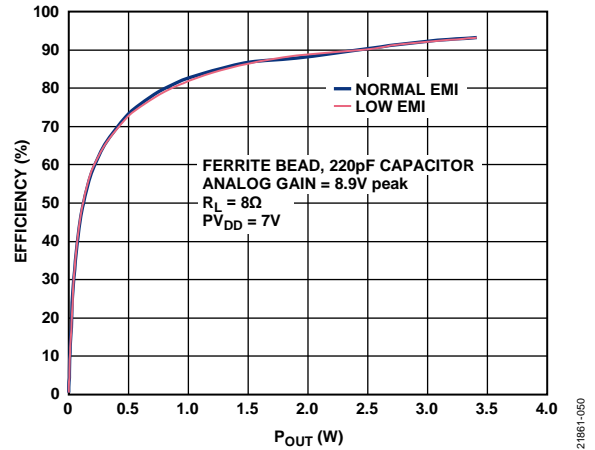


Figure 52. Efficiency vs.  $P_{OUT}$ , with Ferrite Bead, Analog Gain = 8.9 V peak,  $R_L = 8\ \Omega$ ,  $PV_{DD} = 7\ V$

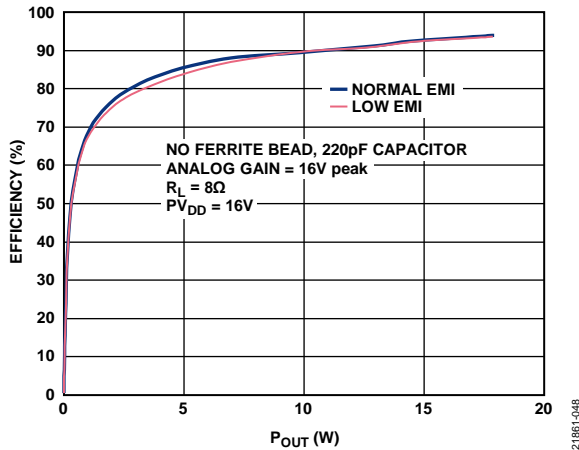


Figure 50. Efficiency vs.  $P_{OUT}$ , No Ferrite Bead, Analog Gain = 16 V peak,  $R_L = 8\ \Omega$ ,  $PV_{DD} = 16\ V$

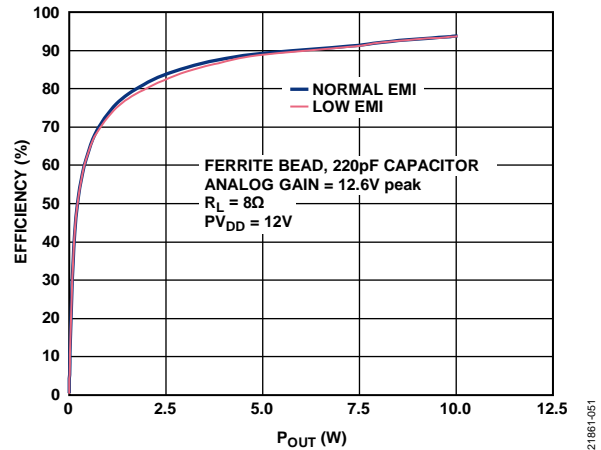


Figure 53. Efficiency vs.  $P_{OUT}$ , with Ferrite Bead, Analog Gain = 12.6 V peak,  $R_L = 8\ \Omega$ ,  $PV_{DD} = 12\ V$

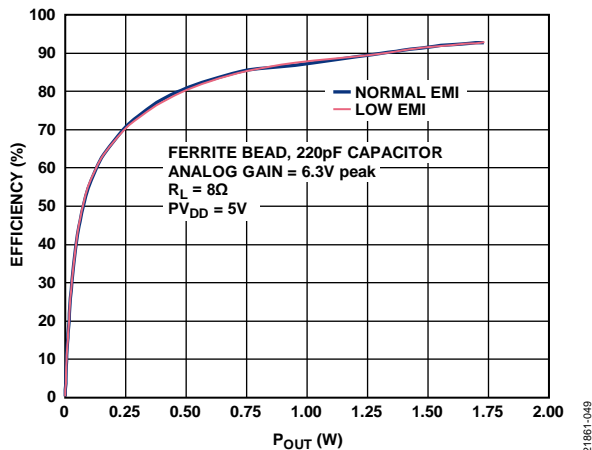


Figure 51. Efficiency vs.  $P_{OUT}$ , with Ferrite Bead, Analog Gain = 6.3 V peak,  $R_L = 8\ \Omega$ ,  $PV_{DD} = 5\ V$

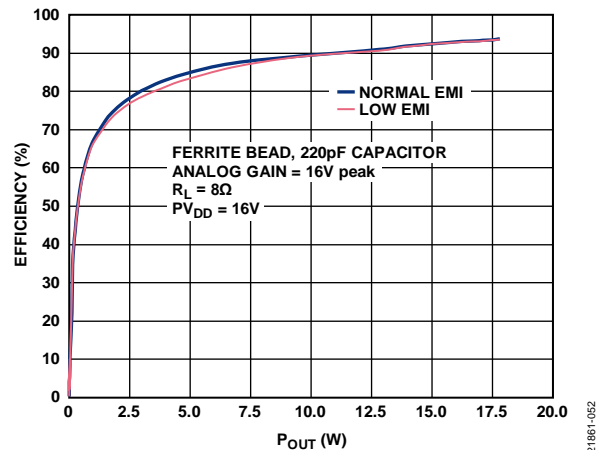


Figure 54. Efficiency vs.  $P_{OUT}$ , with Ferrite Bead, Analog Gain = 16 V peak,  $R_L = 8\ \Omega$ ,  $PV_{DD} = 16\ V$

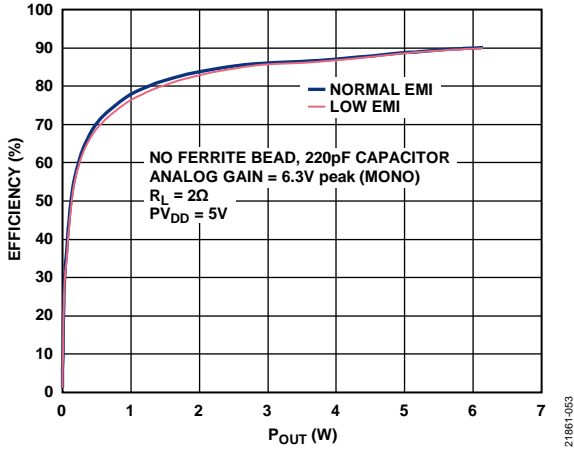


Figure 55. Efficiency vs.  $P_{OUT}$ , No Ferrite Bead, Analog Gain = 6.3 V peak,  $R_L = 2\Omega$ ,  $PV_{DD} = 5V$

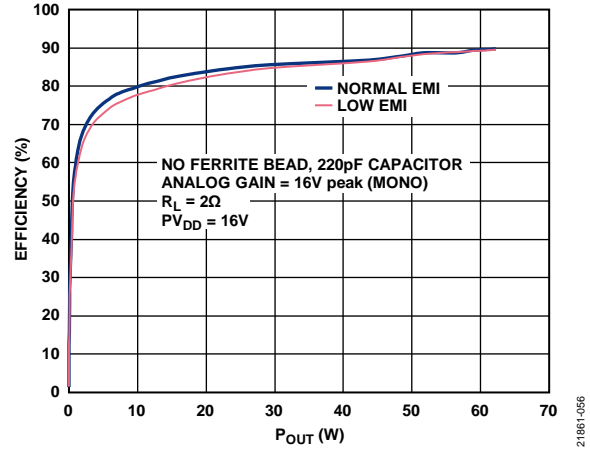


Figure 58. Efficiency vs.  $P_{OUT}$ , No Ferrite Bead, Analog Gain = 16 V peak,  $R_L = 2\Omega$ ,  $PV_{DD} = 16V$

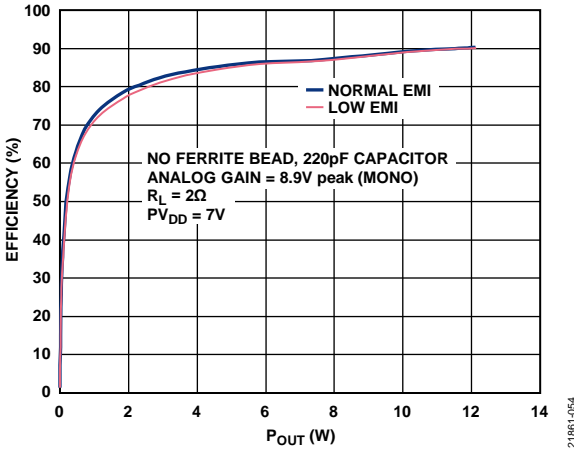


Figure 56. Efficiency vs.  $P_{OUT}$ , No Ferrite Bead, Analog Gain = 8.9 V peak,  $R_L = 2\Omega$ ,  $PV_{DD} = 7V$

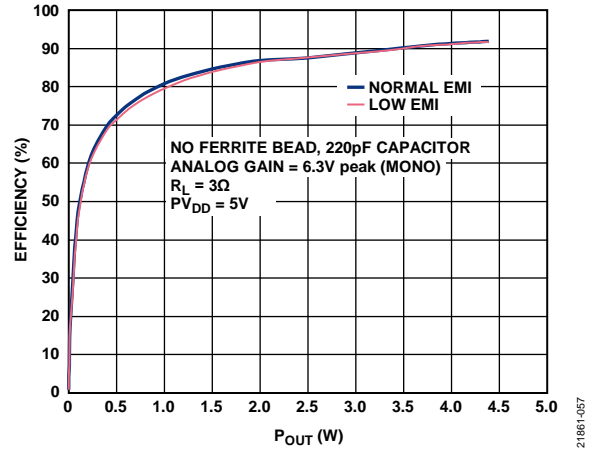


Figure 59. Efficiency vs.  $P_{OUT}$ , No Ferrite Bead, Analog Gain = 6.3 V peak,  $R_L = 3\Omega$ ,  $PV_{DD} = 5V$

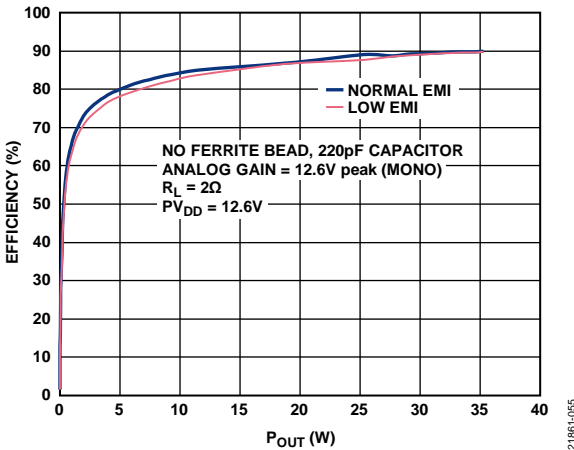


Figure 57. Efficiency vs.  $P_{OUT}$ , No Ferrite Bead, Analog Gain = 12.6 V peak,  $R_L = 2\Omega$ ,  $PV_{DD} = 12.6V$

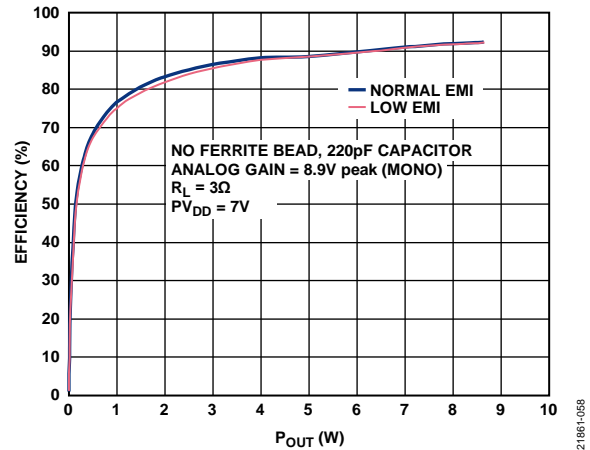


Figure 60. Efficiency vs.  $P_{OUT}$ , No Ferrite Bead, Analog Gain = 8.9 V peak,  $R_L = 3\Omega$ ,  $PV_{DD} = 7V$

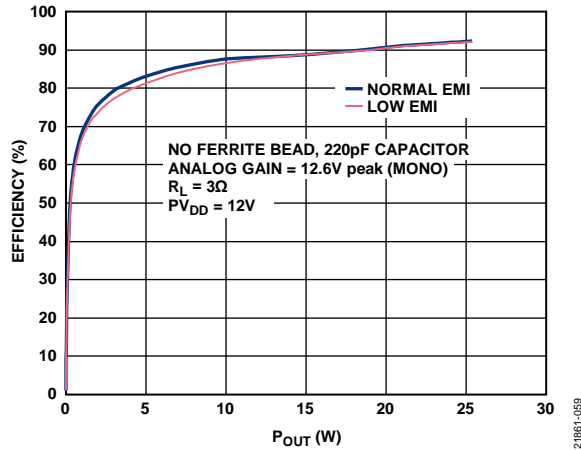


Figure 61. Efficiency vs.  $P_{OUT}$ , No Ferrite Bead, Analog Gain = 12.6 V peak,  $R_L = 3 \Omega$ ,  $P_{VDD} = 12 V$

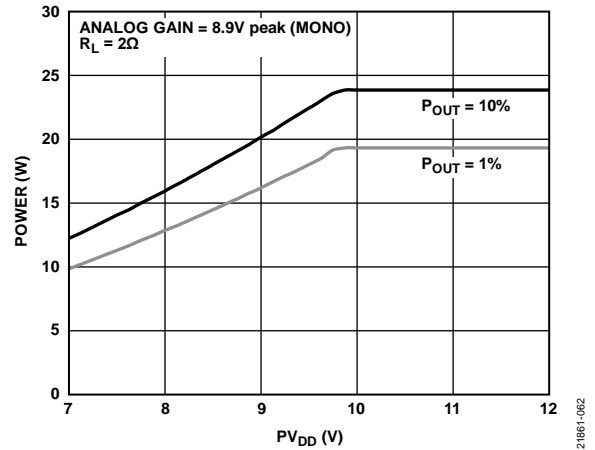


Figure 64. Power vs.  $P_{VDD}$ , Analog Gain = 8.9 V peak,  $R_L = 2 \Omega$

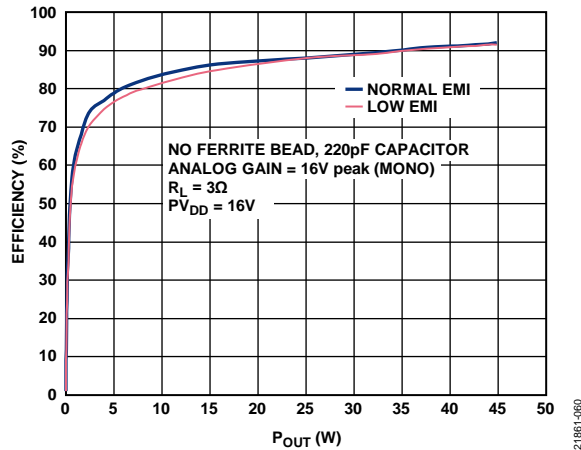


Figure 62. Efficiency vs.  $P_{OUT}$ , No Ferrite Bead, Analog Gain = 16 V peak,  $R_L = 3 \Omega$ ,  $P_{VDD} = 16 V$

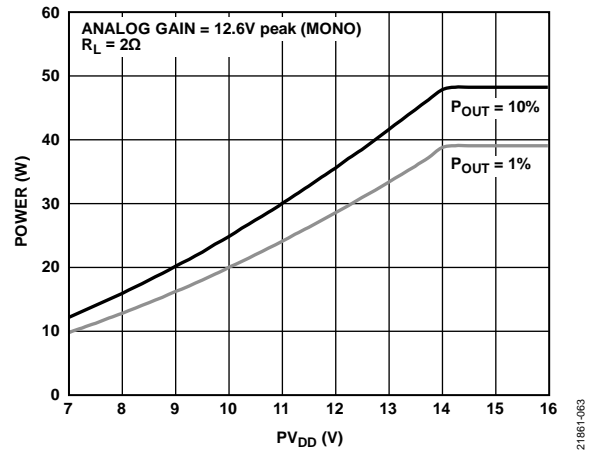


Figure 65. Power vs.  $P_{VDD}$ , Analog Gain = 12.6 V peak,  $R_L = 2 \Omega$

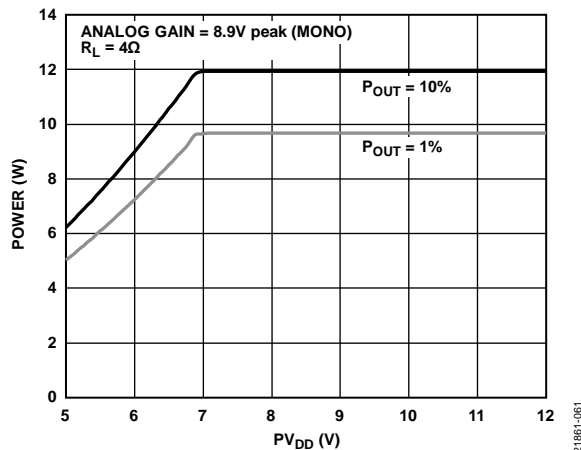


Figure 63. Power vs.  $P_{VDD}$ , Analog Gain = 8.9 V peak,  $R_L = 4 \Omega$

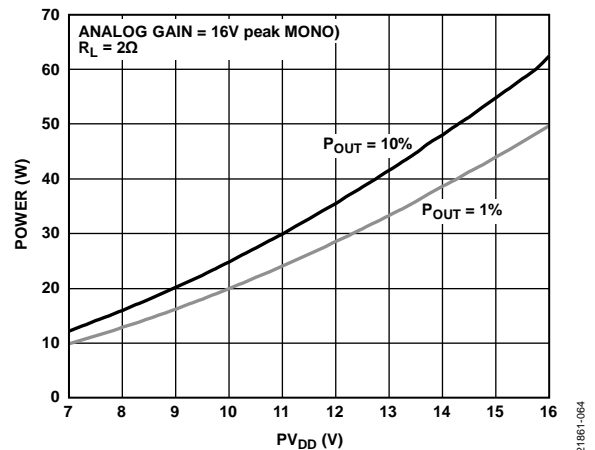


Figure 66. Power vs.  $P_{VDD}$ , Analog Gain = 16 V peak,  $R_L = 2 \Omega$

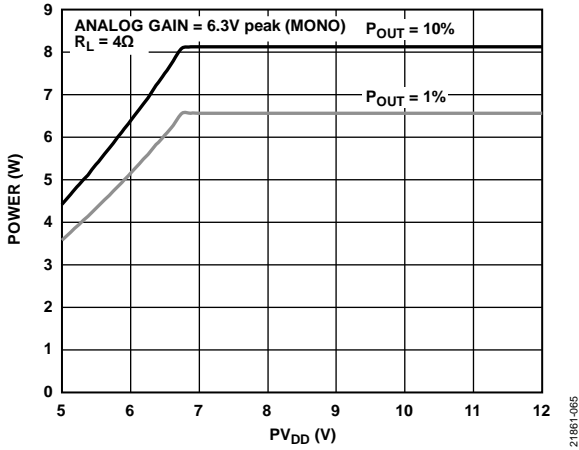


Figure 67. Power vs. PV<sub>DD</sub>, Analog Gain = 6.3 V peak, R<sub>L</sub> = 4 Ω

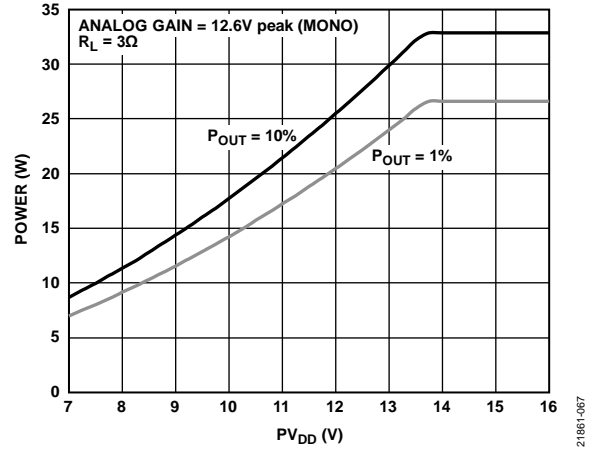


Figure 69. Power vs. PV<sub>DD</sub>, Analog Gain = 12.6 V peak, R<sub>L</sub> = 3 Ω

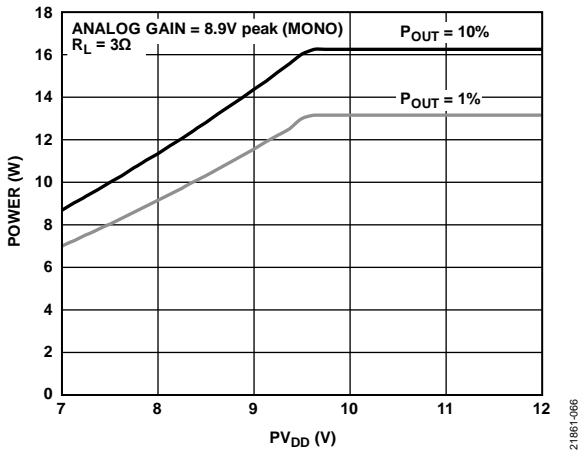


Figure 68. Power vs. PV<sub>DD</sub>, Analog Gain = 8.9 V peak, R<sub>L</sub> = 3 Ω

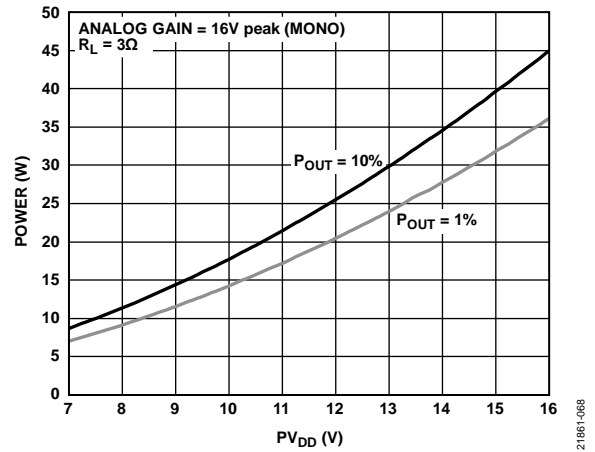


Figure 70. Power vs. PV<sub>DD</sub>, Analog Gain = 16 V peak, R<sub>L</sub> = 3 Ω



## THEORY OF OPERATION

### OVERVIEW

The SSM3582A is a stereo, Class-D audio amplifier with a filterless modulation scheme that greatly reduces external component count, conserving board space and reducing system cost. The SSM3582A does not require an output filter. The device relies on the inherent inductance of the speaker coil and the natural filtering of the speaker and human ear to recover the audio component of the square wave output. Most Class-D amplifiers use some variation of pulse-width modulation (PWM) to generate the output switching pattern, whereas the SSM3582A uses  $\Sigma$ - $\Delta$  modulation, resulting in important benefits.  $\Sigma$ - $\Delta$  modulators do not produce a sharp peak with many harmonics in the AM broadcast band, as pulse-width modulators often do.  $\Sigma$ - $\Delta$  modulation reduces the amplitude of spectral components at high frequencies, reducing EMI emission that may otherwise radiate from speakers and long cable traces. Due to the inherent spread spectrum nature of  $\Sigma$ - $\Delta$  modulation, the need for oscillator synchronization is eliminated for designs incorporating multiple SSM3582A amplifiers. The SSM3582A uses less power in quiescent conditions, which helps conserve the power drawn from the battery or power supply.

The SSM3582A integrates overcurrent and temperature protection and a thermal warning with optional programmable automatic gain reduction.

### POWER SUPPLIES

#### PVDD

PVDD supplies the output power stages, as well as the low dropout (LDO) regulator for AVDD and DVDD.

#### AVDD

AVDD is the analog supply used for the modulator, power stage driver, and other analog blocks.

When the AVDD\_EN pin = PVDD, the internal regulator generates 5 V and the AVDD pin is used for decoupling only.

When the AVDD\_EN pin = AGND, 5 V must be provided to the AVDD pin from an external system source, minimizing power losses.

#### DVDD

DVDD supplies the digital circuitry. The current in this node is very low, below 1 mA.

When the DVDD\_EN pin = AVDD, the internal regulator generates 1.8 V and the DVDD pin is used for decoupling only.

When the DVDD\_EN pin = AGND, 1.8 V must be provided to the DVDD pin from an external system source, minimizing power losses.

Table 12 summarizes the power dissipation in various supply configurations, operating modes, and load characteristics.

**Table 12. Typical Power Supply Current Consumption for  $f_s = 48 \text{ kHz}$ <sup>1</sup>**

AVDD_EN Pin	Load	Test Conditions	AVDD Pin	I <sub>AVDD</sub> (mA)	I <sub>DVDD</sub> (mA)	PVDD					
						5 V		12 V		16 V	
						I <sub>PVDD</sub> (mA)	Total Power (mW)	I <sub>PVDD</sub> (mA)	Total Power (mW)	I <sub>PVDD</sub> (mA)	Total Power (mW)
Low	No load	SPWDN = 1 Automatic power-down Dither input	External	0.007542	0.00268	0.000065	0.042859	0.000065	0.043314	0.000065	0.043574
			External	0.007542	0.04372	0.000065	0.116731	0.000065	0.117186	0.000065	0.117446
			External	6.335	0.945	2.54	46.076	4.94	92.656	6.25	133.376
PVDD	No load	SPWDN = 1 Automatic power-down Dither input	Internal	N/A	N/A	0.000065	0.000325	0.000065	0.00078	0.000065	0.00104
			Internal	N/A	N/A	0.209	1.045	0.286	3.432	0.329	5.264
			Internal	N/A	N/A	9.78	48.9	12.38	148.56	14.05	224.8
Low	8 $\Omega$ + 33 $\mu$ H	SPWDN = 1 Automatic power-down Dither input	External	0.007542	0.00268	0.000065	0.042859	0.000065	0.043314	0.000065	0.043574
			External	0.007542	0.04372	0.000065	0.116731	0.000065	0.117186	0.000065	0.117446
			External	6.432	0.942	2.59	46.8056	5.02	94.0956	6.31	134.8156
PVDD	8 $\Omega$ + 33 $\mu$ H	SPWDN = 1 Automatic power-down Dither input	Internal	N/A	N/A	0.000065	0.000325	0.000065	0.00078	0.000065	0.00104
			Internal	N/A	N/A	0.209	1.045	0.286	3.432	0.329	5.264
			Internal	N/A	N/A	9.82	49.1	12.39	148.68	13.73	219.68

<sup>1</sup> N/A means not applicable.

## POWER-UP SEQUENCE

### Using Only PVDD as a Source

When SSM3582A is used in single-supply mode, all internal rails are generated from PVDD. The internal AVDD (5 V) and DVDD (1.8 V) regulators can be enabled by pulling the AVDD\_EN and DVDD\_EN pins high. AVDD\_EN is pulled to PVDD, and DVDD\_EN is pulled to AVDD. The amplifier is operational and responds to I<sup>2</sup>C writes 10 ms after applying PVDD  $\geq$  5 V.

### Using PVDD and External AVDD

Take care when an external 5 V is supplied to AVDD. The internal 5 V LDO regulator must be disabled by pulling the AVDD\_EN pin low. In this case, DVDD (1.8 V) is generated from PVDD. It is important to maintain PVDD > AVDD to prevent the back powering of PVDD.

### Using PVDD and External AVDD and DVDD

If using an external AVDD and DVDD source, both the AVDD\_EN and DVDD\_EN pins must be pulled low. It is important to maintain PVDD > AVDD or DVDD to prevent back powering PVDD.

DVDD must be present for the device to respond to I<sup>2</sup>C commands. The device becomes operational ~10 ms after DVDD is present. PVDD must be at least 5 V for the output stage to turn on, and must be 6 V for optimal performance.

## POWER-DOWN OPERATION

The SSM3582A offers several power-down options via the I<sup>2</sup>C. Register 0x04 provides multiple options for setting the various power-down modes.

When set to 1, the SPWDN bit fully powers down the device. In this case, only the I<sup>2</sup>C and 1.8 V regulator blocks, if enabled via the DVDD\_EN pin, are kept active.

The SSM3582A monitors both the BCLK and FSYNC pins for clock presence. When no BCLK is present, the device automatically powers down all internal circuitry to its lowest power state. When BCLK returns, the device automatically powers up following its usual power sequence. To guarantee click and pop free shutdown, power down the device via the SPDWN control before clock removal.

If enabled, the APWDN\_EN bit activates a low power state after 2048 consecutive zero input samples are received. Only the I<sup>2</sup>C and digital audio input blocks are kept active.

Individual channels can be powered down using Bits[3:2] in Register 0x04.

The temperature sense ADC can be powered down using Bit 5 in Register 0x04.

## CLOCKING

A BCLK signal must be provided to the SSM3582A for proper operation. The BCLK signal must have a minimum frequency of 2.048 MHz. The BCLK rate is autodetected, but the sampling frequency must be indicated. The BCLK rates supported at 32 kHz to 48 kHz are 50, 64, 100, 128, 192, 200, 256, 384, 400, 512, 768, 800, and 1024 times the sample rate.

## DIGITAL AUDIO SERIAL INTERFACE

The SSM3582A includes a standard serial audio interface that is slave only. The interface is capable of receiving I<sup>2</sup>S, left justified, PCM, or TDM formatted data.

The serial interfaces have three main operating modes. The stereo modes, typically I<sup>2</sup>S or left justified, are used when there is a single chip on the interface bus. TDM mode is more flexible and offers the ability to have multiple chips on the bus.

### Stereo Operating Modes—I<sup>2</sup>S, Left Justified

Stereo modes use both edges of FSYNC to determine the placement of data. Stereo mode is enabled when SAI\_MODE = 0, and the I<sup>2</sup>S or left justified format is determined by the SDATA\_FMT register setting.

The I<sup>2</sup>S or left justified interface formats supports various BCLK/FSYNC ratios (see Table 13). Sample rates from 8 kHz to 192 kHz are accepted.

### TDM Operating Mode

The TDM operating mode allows multiple chips to connect to a single serial interface.

The FSYNC signal operates at the desired sample rate. A rising edge of the FSYNC signal indicates the start of a new frame. For proper operation, this signal must be one BCLK cycle wide, transitioning on a falling BCLK edge. The MSB of data is present on the SDATA signal one BCLK cycle later. The SDATA signal is latched on a rising edge of BCLK.

Each chip on the TDM bus can occupy 16, 24, 32, 48, or 64 BCLK cycles, set via the TDM\_BCLKS control bits. The maximum number of devices connected to a single TDM bus depends on the sample rate and number of bits per channel. The supported combinations of sample rates and bit depths are described in Table 13.

The maximum bit clock frequency is 49.152 MHz. Using the TDM16 format, up to eight devices (16 channels) can be connected to a single TDM interface, and can operate at up to a 96 kHz sample rate and at 32 bits per channel. See Table 13 for the supported options at the 48 kHz, 96 kHz, and 192 kHz sample rates. Note that the interface is slave only, with the bit clock, frame sync, and data provided to the device.

ADDRx pin settings dictate the default TDM slots for each device, and can be modified using the TDM\_SLOT\_x control register.

Table 13. Supported BCLK Rates in MHz<sup>1</sup>

Sample Rate (kHz)	BCLK (MHz)/FSYNC Ratio <sup>2</sup>													
	50	64	100	128	192	200	256	384	512	768	800	1024	2048	4096
8 to 12	N/A	N/A	N/A	N/A	N/A	Yes	Yes	Yes	Yes	Yes	Yes	Yes	Yes	Yes
16 to 24	N/A	N/A	Yes	Yes	Yes	Yes	Yes	Yes	Yes	Yes	Yes	Yes	Yes	N/A
32 to 48	Yes	Yes	Yes	Yes	Yes	Yes	Yes	Yes	Yes	Yes	Yes	Yes	N/A	N/A
64 to 96	Yes	Yes	Yes	Yes	Yes	Yes	Yes	Yes	Yes	N/A	N/A	N/A	N/A	N/A
128 to 192	Yes	Yes	Yes	Yes	Yes	Yes	Yes	Yes	N/A	N/A	N/A	N/A	N/A	N/A

<sup>1</sup> Yes means that the specified rate is supported and N/A means not applicable.

<sup>2</sup> BCLK = (BCLK/FSYNC ratio) × sample rate.

### I<sup>2</sup>C Control

The SSM3582A supports an I<sup>2</sup>C-compatible, 2-wire serial bus, shared across multiple peripherals. Two signals, serial data (SDA) and serial clock (SCL), carry information between the SSM3582A and the system I<sup>2</sup>C master controller. The SSM3582A is always a slave on the bus, and cannot initiate a data transfer. Each slave device is identified by a unique address. The address byte format is shown in Table 14. The address resides in the first seven bits of the I<sup>2</sup>C write. The LSB of this byte sets either a read or write operation. Logic Level 1 corresponds to a read operation and Logic Level 0 corresponds to a write operation. For device address settings, see Table 16.

Table 14. I<sup>2</sup>C Device Address Byte Format

Bit 7	Bit 6	Bit 5	Bit 4	Bit 3	Bit 2	Bit 1	Bit 0
0	0	1	Bit 3	Bit 2	ADDR0	ADDR1	R/W

Both SDA and SCL are open drain, and require pull-up resistors to the input/output voltage. The SSM3582A operates within the I<sup>2</sup>C voltage range of 1.6 V to 3.6 V.

### Addressing

Initially, each device on the I<sup>2</sup>C bus is in an idle state, monitoring the SDA and SCL lines for a start condition and the proper address. The I<sup>2</sup>C master initiates a data transfer by establishing a start condition, defined by a high to low transition on SDA while SCL remains high. This start condition indicates that an address/data stream follows. All devices on the bus respond to the start condition and shift the next eight bits (the 7-bit address plus the R/W bit), MSB first. The device that recognizes the transmitted address responds by pulling the data line low during the ninth clock pulse. This ninth bit is known as an acknowledge bit. All other devices withdraw from the bus at this point and return to the idle condition. The device address for the SSM3582A is determined by the state of the ADDR<sub>x</sub> pins. See the Device Address Setting section for more details.

The R/W bit determines the direction of the data. A Logic 0 on the LSB of the first byte means the master writes information to the peripheral, whereas a Logic 1 means the master reads information from the peripheral after writing the subaddress and repeating the start address. A data transfer takes place until a stop condition is

encountered. A stop condition occurs when SDA transitions from low to high while SCL is held high. The timing for the I<sup>2</sup>C port is shown in Figure 71.

Stop and start conditions can be detected at any stage during the data transfer. If these conditions are asserted out of sequence with normal read and write operations, the SSM3582A immediately jumps to the idle condition. During a given SCL high period, issue only one start condition, one stop condition, or a single stop condition followed by a single start condition. If using an invalid subaddress, the SSM3582A does not issue an acknowledge and returns to the idle condition. If the user exceeds the highest subaddress while in automatic increment mode, one of two actions is taken.

In read mode, the SSM3582A outputs the highest subaddress register contents until the master device issues a no acknowledge, indicating the end of a read. A no acknowledge condition is a condition in which the SDA line is not pulled low on the ninth clock pulse on SCL. If the highest subaddress location is reached while in write mode, the data for the invalid byte is not loaded into any subaddress register, a no acknowledge is issued by the SSM3582A, and the device returns to the idle condition.

### Device Address Setting

The device can be set at 16 different I<sup>2</sup>C addresses using the ADDR1 and ADDR0 pins, as well as 16 hardware modes.

ADDR1 and ADDR0 are sampled during the start-up procedure. These pins set the appropriate operating mode, the I<sup>2</sup>C address, and the default TDM slots. The ADDR<sub>x</sub> pins can be set to five different voltage levels, as defined in Table 15. The ADDR<sub>x</sub> pins are referenced to the DVDD rail of the device. Connect pull-up resistors to the internally generated DVDD rail if the regulator is used.

Table 15. ADDR<sub>x</sub> Pin Input Level Mapping

ADDR <sub>x</sub> State	Level (V)
Connected to Ground	0
Connected to Ground Using a 47 kΩ Resistor	0.45
Left Floating	0.9
Connected to DVDD Using a 47 kΩ Resistor	1.35
Connected to DVDD	1.8

Table 16. ADDR<sub>x</sub> Pins to I<sup>2</sup>C Device Address and TDM Slot Mapping

ADDR <sub>x</sub> Pin State <sup>1</sup>		Device Address	Default TDM Slot	
ADDR <sub>0</sub>	ADDR <sub>1</sub>		MONO = 0	MONO = 1
0	0	0x10	1, 2	1
0	1	0x11	3, 4	2
1	0	0x12	5, 6	3
1	1	0x13	7, 8	4
0	Pull-down	0x14	9, 10	5
0	Pull-up	0x15	11, 12	6
1	Pull-down	0x16	13, 14	7
1	Pull-up	0x17	15, 16	8
Pull-down	0	0x18	17, 18	9
Pull-down	1	0x19	19, 20	10
Pull-up	0	0x1A	21, 22	11
Pull-up	1	0x1B	23, 24	12
Pull-down	Pull-down	0x1C	25, 26	13
Pull-down	Pull-up	0x1D	27, 28	14
Pull-up	Pull-down	0x1E	29, 30	15
Pull-up	Pull-up	0x1F	31, 32	16

<sup>1</sup> 0 = connect to ground, 1 = connect to DVDD. In the case of a pull-down state, connect to ground via a 47 kΩ resistor. In the case of a pull-up state, connect to DVDD via a 47 kΩ resistor.

**I<sup>2</sup>C Read and Write Operations**

Figure 72 shows the timing of a single-word write operation. Every ninth clock, the SSM3582A issues an acknowledge by pulling SDA low.

Figure 73 shows the timing of a burst mode write sequence. This figure shows an example where the target destination registers are two bytes. The SSM3582A knows to increment its subaddress register every byte because the requested subaddress corresponds to a register or memory area with a byte word length.

The timing of a single-word read operation is shown in Figure 74. Note that the first R/W bit is 0, indicating a write operation, because the subaddress must still be written to set up the internal address. After the SSM3582A acknowledges the receipt of the subaddress, the master must issue a repeated start command, followed by the chip address byte with the R/W set to 1 (read). This repeated command causes the SSM3582A SDA to reverse and to begin driving data back to the master. The master then responds every ninth pulse with an acknowledge pulse to the SSM3582A. Refer to Table 17 for a list of abbreviations in Figure 72 through Figure 75.

**Table 17. Abbreviations for Figure 72 Through Figure 75**

Symbol	Meaning
S	Start bit
P	Stop bit
A <sub>M</sub>	Acknowledge (ACK used in Figure 72 through Figure 75) by master
A <sub>S</sub>	Acknowledge (ACK used in Figure 72 through Figure 75) by slave

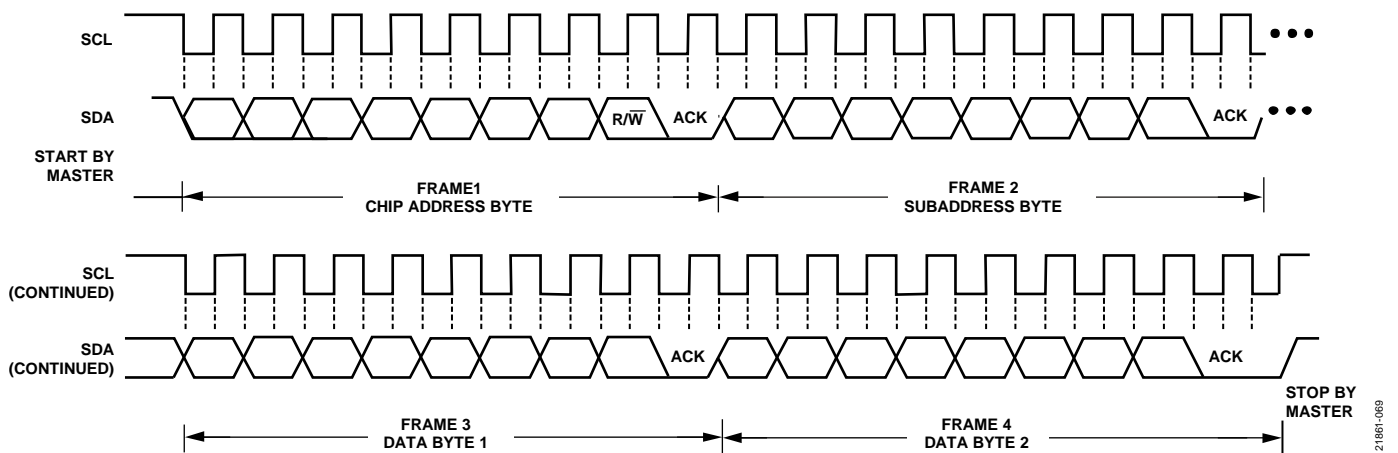


Figure 71. I<sup>2</sup>C Read/Write Timing

START BIT	IC ADDRESS (7 BITS)	R/W = 0	ACK BY SLAVE	SUBADDRESS (8 BITS)	ACK BY SLAVE	DATA BYTE 1 (8 BITS)	STOP BIT
-----------	---------------------	---------	--------------	---------------------	--------------	----------------------	----------

Figure 72. Single-Word I<sup>2</sup>C Write Format

S	CHIP ADDRESS, R/W = 0	A <sub>S</sub>	SUBADDRESS	A <sub>S</sub>	DATA-WORD 1	A <sub>S</sub>	DATA-WORD 2	A <sub>S</sub>	...	P
---	-----------------------	----------------	------------	----------------	-------------	----------------	-------------	----------------	-----	---

Figure 73. Burst Mode I<sup>2</sup>C Write Format

S	CHIP ADDRESS, R/W = 0	A <sub>S</sub>	SUBADDRESS	A <sub>S</sub>	S	CHIP ADDRESS, R/W = 1	A <sub>S</sub>	DATA BYTE 1	A <sub>M</sub>	DATA BYTE N	P
---	-----------------------	----------------	------------	----------------	---	-----------------------	----------------	-------------	----------------	-------------	---

Figure 74. Single-Word I<sup>2</sup>C Read Format

S	CHIP ADDRESS, R/W = 0	A <sub>S</sub>	SUBADDRESS	A <sub>S</sub>	S	CHIP ADDRESS, R/W = 1	A <sub>S</sub>	DATA-WORD 1	A <sub>M</sub>	...	P
---	-----------------------	----------------	------------	----------------	---	-----------------------	----------------	-------------	----------------	-----	---

Figure 75. Burst Mode I<sup>2</sup>C Read Format

**STANDALONE OPERATION**

The SSM3582A can be operated in a standalone hardware control mode without any I<sup>2</sup>C control. The same ADDR<sub>x</sub> pins used to set the I<sup>2</sup>C device address are used to set the functionality of the device. In standalone mode, the I<sup>2</sup>C pins (SCL and SDA) are inputs and are shorted to DVDD or AGND to set the TDM slot/sample rate of the device (see Table 18). In this case, the ANA\_GAIN bits are set to 11 and SPWDN is set to 0 by default.

In standalone mode, TDM slot selection, mono mode operation, and sample rate are selected via different pin settings. The device monitors the FSYNC signal and, if it is a 50% duty cycle, uses I<sup>2</sup>S settings. If the FYSNC signal is a pulse, the device uses TDM settings.

**Table 18. Standalone Mode Pin Settings and Functionality**

Sample Rate	Pin States				TDM Slot(s)	MONO Bit
	ADDR0	ADDR1	SDA	SCL		
32 kHz to 48 kHz	0	Open	0	0	1, 2	0
	1	Open	0	0	3, 4	0
	Pull-down	Open	0	0	5, 6	0
	Pull-up	Open	0	0	7, 8	0
	Open	0	0	0	9, 10	0
	Open	1	0	0	11, 12	0
	Open	Pull-down	0	0	13, 14	0
	Open	Pull-up	0	0	15, 16	0
8 kHz to 12 kHz	Open	Open	0	0	1, 2	0
32 kHz to 48 kHz	0	Open	0	1	1	1
	1	Open	0	1	2	1
	Pull-down	Open	0	1	3	1
	Pull-up	Open	0	1	4	1
	Open	0	0	1	5	1
	Open	1	0	1	6	1
	Open	Pull-down	0	1	7	1
	Open	Pull-up	0	1	8	1
8 kHz to 12 kHz	Open	Open	0	1	1, 2	1
64 kHz to 96 kHz	0	Open	1	0	1, 2	0
	1	Open	1	0	3, 4	0
	Pull-down	Open	1	0	5, 6	0
	Pull-up	Open	1	0	7, 8	0
	Open	0	1	0	9, 10	0
	Open	1	1	0	11, 12	0
	Open	Pull-down	1	0	13, 14	0
	Open	Pull-up	1	0	15, 16	0
16 kHz to 24 kHz	Open	Open	1	0	1, 2	0
64 kHz to 96 kHz	0	Open	1	1	1	1
	1	Open	1	1	2	1
	Pull-down	Open	1	1	3	1
	Pull-up	Open	1	1	4	1
	Open	0	1	1	5	1
	Open	1	1	1	6	1
	Open	Pull-down	1	1	7	1
	Open	Pull-up	1	1	8	1
128 kHz to 192 kHz	Open	Open	1	1	1, 2	0

## MONO MODE

The SSM3582A can be operated in mono mode for driving low impedance loads. In mono mode, the left and right power stages can be connected in parallel, as shown in Figure 87. Use caution when setting up mono mode. For proper operation, any hardware changes are required along with setting the register. For mono mode operation, set the MONO bit (Register 0x04, Bit 4) to 1. By default, this bit is set to 0 for stereo mode. After the bit is set for mono mode, only the left channel modulator is active and it feeds both the left and right channel power stages. The OUTL+ and OUTF+ pins are in phase. The OUTL– and OUTF– pins are also in phase. For mono mode, OUTL+ must be shorted to OUTF+. Similarly, OUTL– must be shorted to OUTF–. Note that the resistance of the short must be <10 mΩ. If the short resistance is higher than 10 mΩ, the THD + N performance degrades. Refer to the [EVAL-SSM3582Z](#) user guide for more information.

In standalone mode, the ADDR0, ADDR1, SCL, and SDA pins determine the TDM slot. See the Table 18 for the possible TDM slot configurations in mono mode.

## ANALOG AND DIGITAL GAIN

Four different gain settings are available to optimize the dynamic range of the amplifier in relation to the PVDD supply voltage. In software mode, the initial 19 dB gain setting can be updated through the control interface. In standalone mode, the I<sup>2</sup>C interface pins set the gain of the device. Table 19 summarizes the gain settings and load drive characteristics of the amplifier.

The amplifier analog gain is set prior to enabling the device outputs and must not be changed during operation. A proper mute/unmute sequence is required to prevent audible transients between gain settings.

Finer level control is available in the digital domain, with a very flexible –70 dB to +24 dB, 0.375 dB/step ramp volume control and selectable nonaliasing clipping point. The digital volume

control also includes a playback level limiter that can be set in tandem with the battery voltage monitor to prevent the amplifier from browning out the system when battery level is critically low.

## POP AND CLICK SUPPRESSION

Pops and clicks are undesirable audible transients generated by the amplifier system that do not come from the system input signal. Voltage transients as small as 10 mV can be heard as an audible pop in the speaker. Voltage transients at the output of audio amplifiers often occur when shutdown is activated or deactivated. The SSM3582A has a pop and click suppression architecture that reduces these output transients, resulting in noiseless activation and deactivation. Set either mute or power-down before BCLK is removed to ensure a pop free experience.

## TEMPERATURE SENSOR

The SSM3582A contains an 8-bit ADC that measures the die temperature of the device and is enabled via the TEMP\_PWDN bit in Register 0x04. After the sensor is enabled, the temperature can be read via the I<sup>2</sup>C in the TEMP register, Register 0x1B. The temperature information is stored in Register 0x1B in an 8-bit, unsigned format. The ADC input range is fixed internally from –60°C to +195°C. To convert the hexadecimal value to the temperature (Celsius) value, use the following steps:

1. Convert the hexadecimal value to decimal and then subtract 60. For example, if the hexadecimal value is 0x54, the decimal value is 84.
2. Calculate the temperature using the following equation:

$$\text{Temperature} = \text{Decimal Value} - 60$$

With a decimal value of 84,

$$\text{Temperature} = 84 - 60 = 24^{\circ}\text{C}$$

Table 19. Analog Gain Settings and Drive Characteristics

ANA_GAIN		Gain (dB)	Output Voltage (V <sub>out</sub> )	
Bit 1	Bit 0		RMS (V <sub>rms</sub> )	Peak (V)
0	0	13	4.38	6.2
0	1	16	6.18	8.75
1	0	19	8.83	12.5
1	1	21	11.22	15.5

Table 20. Fault Reporting Registers

Fault Type	Flag Set Condition	Status Reported Register
PVDD Undervoltage	PVDD below <3.6 V	Register 0x18, Bit 7, UVLO_PVDD
5 V Regulator Undervoltage	5 V regulator voltage at AVDD < 3.6 V	Register 0x18, Bit 6, UVLO_VREG
Limiters/Gain Reduction Engage	Left channel limiter engaged	Register 0x19, Bit 3, LIM_EG_L
	Right channel limiter engaged	Register 0x19, Bit 7, LIM_EG_R
Clipping, Left Channel	Left channel DAC clipping	Register 0x19, Bit 2, CLIP_L
Clipping, Right Channel	Right channel DAC clipping	Register 0x19, Bit 6, CLIP_R
Output Overcurrent	Left channel output current > 6 A peak	Register 0x19, Bit 1, AMP_OC_L
	Right channel output current > 6 A peak	Register 0x19, Bit 5, AMP_OC_R
Die Overtemperature	Die temperature > 145°C	Register 0x18, Bit 1, OTF
Die Overtemperature Warning	Die temperature > 117°C	Register 0x18, Bit 0, OTW
Battery Voltage > VBAT_INF_x	Battery voltage PV <sub>DD</sub> > VBAT_INF_L	Register 0x19, Bit 0, BAT_WARN_L
	Battery voltage PV <sub>DD</sub> > VBAT_INF_R	Register 0x19, Bit 4, BAT_WARN_R

Table 21. Register 0x16, Register 0x17, Fault Recovery

Fault Type	Flag Set Condition	Status Reported Register
Overtemperature Warning	The amount of gain reduction applied if there is an overtemperature warning for the left channel	Register 0x16, Bits[1:0], OTW_GAIN_L
	The amount of gain reduction applied if there is an overtemperature warning for the right channel	Register 0x16, Bits[5:4], OTW_GAIN_R
Manual Recovery	Use to attempt manual recovery in case of a fault event	Register 0x17, Bit 7, MRCV
Autorecovery Attempts	When autorecovery from faults is used, set the number of attempts using this bit	Register 0x17, Bits[5:4], MAX_AR
Undervoltage	Recovery can be automatic or manual	Register 0x17, Bit 2, ARCV_UV
Die Overtemperature	Recovery can be automatic or manual	Register 0x17, Bit 1, ARCV_OT
Overcurrent	Recovery can be automatic or manual	Register 0x17, Bit 0, ARCV_OC

## FAULTS AND LIMITER STATUS REPORTING

The SSM3582A offers comprehensive protections against the faults at the outputs and reporting to help with system design. The faults listed in Table 20 are reported using the status registers.

The faults listed in Table 20 are reported in Register 0x18 and Register 0x19 and can be read via I<sup>2</sup>C by the microcontroller in the system.

In the event of a fault occurrence, use Register 0x17 to control how the device reacts to the faults.

When the automatic recovery mode is set, the device attempts to recover itself after the fault event and, in case the fault persists, then the device sets the fault again. This process repeats until the fault is resolved.

When the manual recovery mode is used, the device shuts down and the recovery must be attempted using the system microcontroller.

## VBAT (PV<sub>DD</sub>) SENSING

The SSM3582A contains an 8-bit ADC that measures the voltage of the battery voltage (VBAT) or PV<sub>DD</sub> supply. The battery voltage information is stored in Register 0x1A as an 8-bit unsigned format. The ADC input range is fixed internally at 3.8 V to 16.2 V. To convert the hexadecimal value to the voltage value, use the following steps:

- Convert the hexadecimal value to decimal. For example, if the hexadecimal value is 0xA9, the decimal value is 169.
- Calculate the voltage using the following equation:

$$\text{Voltage} = 3.8 \text{ V} + 12.4 \text{ V} \times \text{Decimal Value}/255$$

With a decimal value of 169,

$$\text{Voltage} = 3.8 \text{ V} + 12.4 \text{ V} \times 169/255 = 12.02 \text{ V}$$

## LIMITER AND BATTERY TRACKING THRESHOLD CONTROL

The SSM3582A contains an output limiter that can be used to limit the peak output voltage of the amplifier. The limiter works on the rms and peak value of the signal. The limiter threshold, slope, attack rate, and release rate are programmable using Register 0x0E, Register 0x0F, and Register 0x10 for the left channel and Register 0x11, Register 0x12, Register 0x13 for the right channel. The limiter can be enabled or disabled using LIM\_EN\_L, Bits[1:0] in Register 0x0E for the left channel and the LIM\_EN\_R bits, Bits[1:0] in Register 0x11, for the right channel.



The threshold at which the output is limited is determined by the LIM\_THRES\_L bits setting, Bits[7:3] in Register 0x0F for the left channel, and the LIM\_THRES\_R bits setting, Bits[7:3] in Register 0x12 for the right channel. When the output signal level exceeds the set threshold level, the limiter activates and limits the signal level to the set limit. Below the set threshold, the output level is not affected.

The limiter threshold can be set above the maximum output voltage of the amplifier. In this case, the limiter allows maximum peak output. In other words, the output may clip depending on the power supply voltage and not the limiter.

The limiter threshold can be set as fixed or to vary with the battery voltage via the VBAT\_TRACK\_L bit (Register 0x0E, Bit 2) for the left channel and VBAT\_TRACK\_R bit (Register 0x11, Bit 2) for right channel. When set to fixed, the limiter threshold is fixed and does not vary with battery voltage. The threshold can be set from 2 V peak to 16 V peak using the LIM\_THRES\_x bit (see Figure 76).

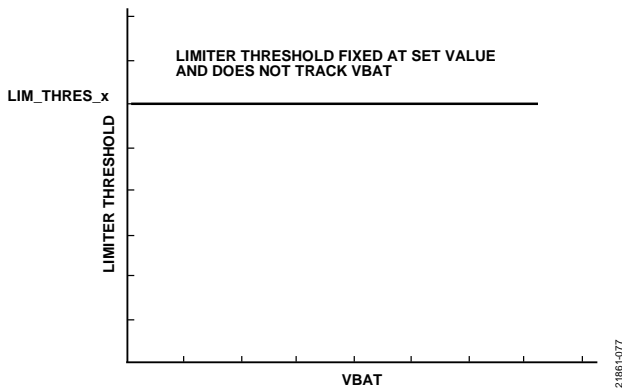


Figure 76. Limiter Fixed (LIM\_EN\_x = 01, VBAT\_TRACK\_x = 0)

When set to a variable threshold, the SSM3582A monitors the VBAT supply and automatically adjusts the limiter threshold based on the VBAT supply voltage.

The VBAT supply voltage at which the limiter begins to decrease the output level is determined by the VBAT inflection point (the VBAT\_INF\_L bits (Register 0x10, Bits[7:0]) for the left channel and VBAT\_INF\_R bits (Register 0x13, Bits[7:0]) for the right channel).

The VBAT\_INF\_x point is defined as the battery voltage at which the limiter either activates or deactivates depending on the LIM\_EN\_x mode (see Table 22). When the battery voltage is greater than VBAT\_INF\_x, the limiter is not active. When the battery voltage is less than VBAT\_INF\_x, the limiter is activated. The VBAT\_INF\_x bits can be set from 3.8 V to 16.2 V. To calculate the 8-bit value for the voltage, use the following equation:

$$\text{Voltage} = 3.8 + 12.4 \times \text{Decimal Value}/255$$

Convert the decimal value to an 8-bit hexadecimal value and use it to set the VBAT\_INF\_x bits.

The slope bits (Register 0x0F and Register 0x12, Bits[1:0]) determine the rate at which the limiter threshold is lowered relative to the amount of change in VBAT below the VBAT\_INF\_x point.

The slope is the ratio of the limiter threshold reduction to the VBAT voltage reduction.

$$\text{Slope} = \Delta \text{Limiter Threshold} / \Delta \text{VBAT}$$

The slope ratio can be set from 1:1 to 4:1. This function is useful to prevent early shutdown under low battery conditions. As the VBAT voltage falls, the limiter threshold is lowered. This lower threshold results in the lower output level and therefore helps to reduce the current drawn from the battery and in turn helps prevent early shutdown due to low VBAT.

The limiter offers various active modes that can be set using the LIM\_EN\_x bits (Register 0x0E and Register 0x11, Bits[1:0]) and the VBAT\_TRACK\_x bit, as shown in Table 22.

When LIM\_EN\_x = 01, the limiter is enabled. When LIM\_EN\_x = 10, the limiter mutes the output if VBAT falls below VBAT\_INF\_x. When LIM\_EN\_x = 11, the limiter engages only when the battery voltage is lower than VBAT\_INF\_x. When VBAT is greater than VBAT\_INF\_x, no limiting occurs. Note that there is hysteresis on VBAT\_INF\_x for the limiter disengaging.

The limiter, when active, reduces the gain of the amplifier. The rate of gain reduction or attack rate is determined by the LIM\_ATR\_x bits (Register 0x0E and Register 0x11, Bits[5:4]). Similarly, when the signal level drops below the limiter threshold, the gain is restored. The gain release rate is determined by the LIM\_RRT\_x bits (Register 0x0E and Register 0x11, Bits[7:6]).

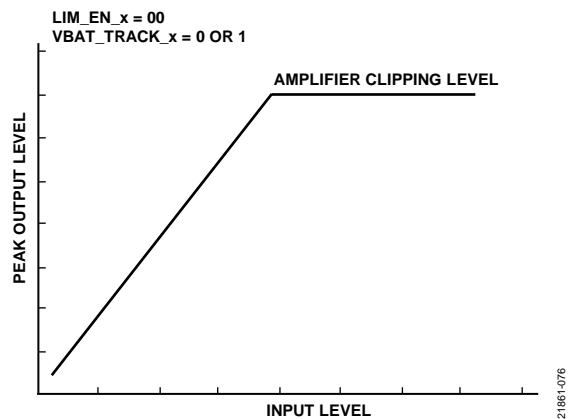


Figure 77. Limiter Example (LIM\_EN\_x = 00, VBAT\_TRACK\_x = 0 or 1)

Table 22. Limiter Modes

LIM_EN_x	VBAT_TRACK_x	Limiter	VBAT < VBAT_INF_x	VBAT > VBAT_INF_x	Comments
00	0 or 1	No	Not applicable	Not applicable	See Figure 77
01	0	Fixed	Use the set threshold	Use the set threshold	See Figure 76
01	1	Variable	Lowers the threshold	Use the set threshold	See Figure 78 and Figure 79
10	0 or 1	Fixed	Mutes the output	Use the set threshold	Not shown
11	0	Fixed	Use the set threshold	No limiting	See Figure 80 and Figure 81
11	1	Variable	Lowers the threshold	No limiting	See Figure 82 and Figure 83

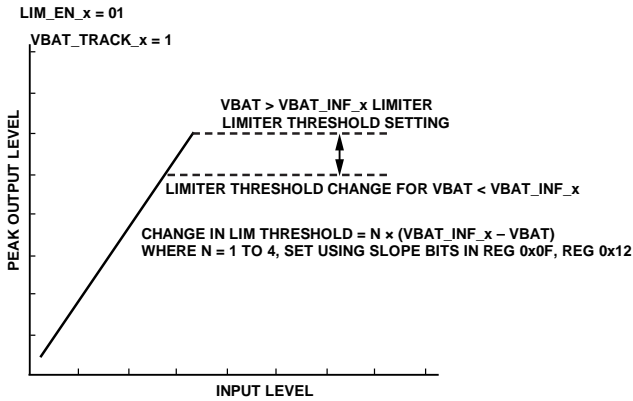


Figure 78. Limiter Fixed (LIM\_EN\_x = 01, VBAT\_TRACK\_x = 1)

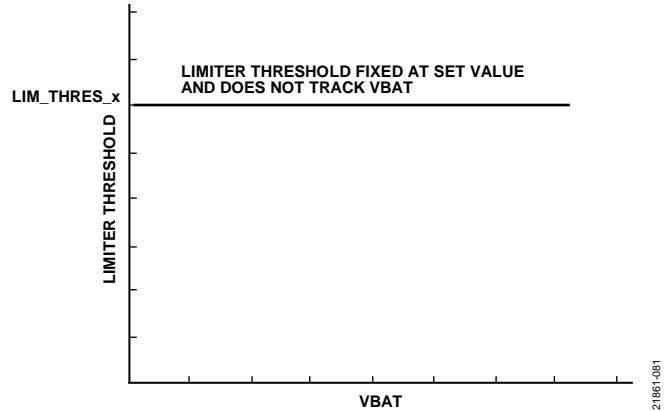


Figure 81. Limiter Fixed (LIM\_EN\_x = 11, VBAT\_TRACK\_x = 0)

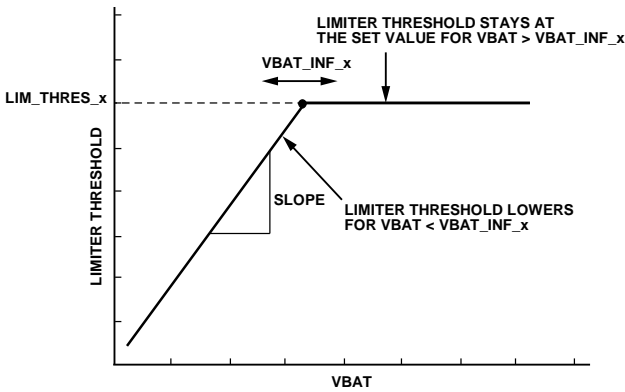


Figure 79. Limiter Threshold vs. VBAT in Limiter Tracking Mode (LIM\_EN\_x = 01, VBAT\_TRACK\_x = 1)

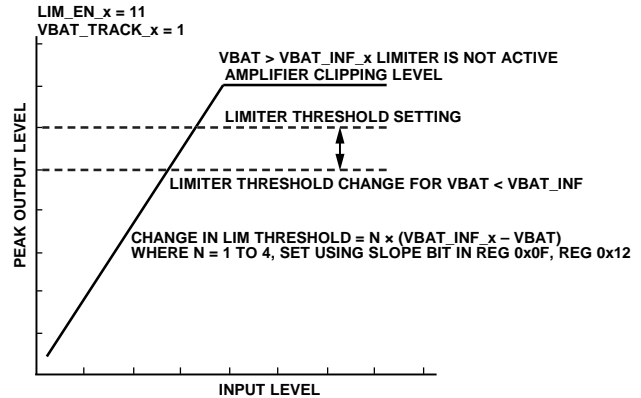


Figure 82. Limiter Example (LIM\_EN\_x = 11, VBAT\_TRACK\_x = 1)

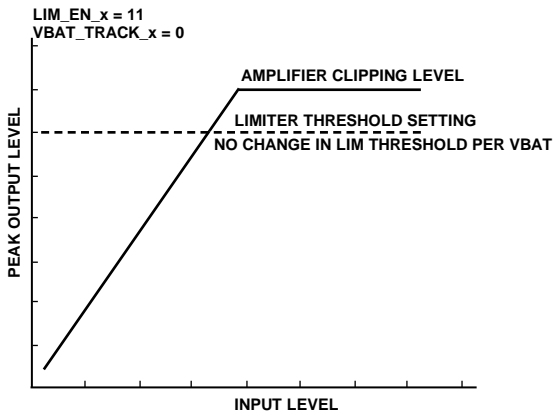


Figure 80. Limiter Example (LIM\_EN\_x = 11, VBAT\_TRACK\_x = 0)

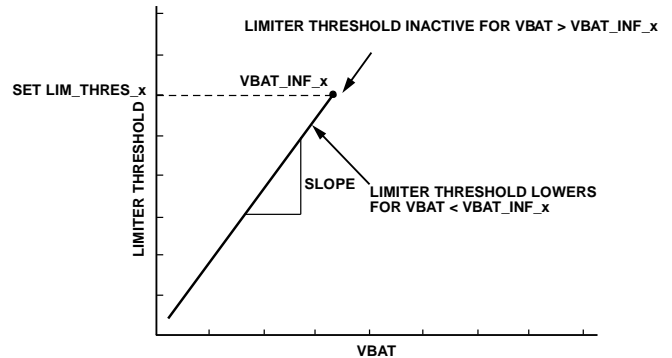


Figure 83. Limiter Threshold vs. VBAT in Limiter Tracking Mode (LIM\_EN\_x = 11, VBAT\_TRACK\_x = 1)

## HIGH FREQUENCY CLIPPER

The high frequency clipper can be controlled via the DAC\_CLIP\_L bits (Register 0x14, Bits[7:0]) and the DAC\_CLIP\_R bits (Register 0x15, Bits[7:0]).

These bits determine the clipper threshold, relative to full scale. When enabled, the clipper digitally clips the signal after the DAC interpolation.

## EMI NOISE

The SSM3582A uses a proprietary modulation and spread spectrum technology to minimize EMI emissions from the device. The SSM3582A passes FCC Class-B emissions testing with an unshielded 20 inch cable using ferrite bead-based filtering. For applications that have difficulty passing FCC Class-B emission tests, the SSM3582A includes an ultralow EMI emissions mode that significantly reduces the radiated emissions at the Class-D outputs, particularly above 100 MHz. Note that reducing the supply voltage greatly reduces radiated emissions.

## OUTPUT MODULATION DESCRIPTION

The SSM3582A uses three-level,  $\Sigma$ - $\Delta$  output modulation. Each output can swing from ground to  $PV_{DD}$ , and vice versa. Ideally, when no input signal is present, the output differential voltage is 0 V because there is no need to generate a pulse. In a real-world situation, noise sources are always present.

Due to this constant presence of noise, a differential pulse is occasionally generated in response to this stimulus. A small amount of current flows into the inductive load when the differential pulse is generated. However, typically, the output differential voltage is 0 V. This feature ensures that the current flowing through the inductive load is small.

When the user sends an input signal, an output pulse is generated to follow the input voltage. The differential pulse density is increased by raising the input signal level. Figure 84 depicts three-level,  $\Sigma$ - $\Delta$  output modulation with and without input stimulus.

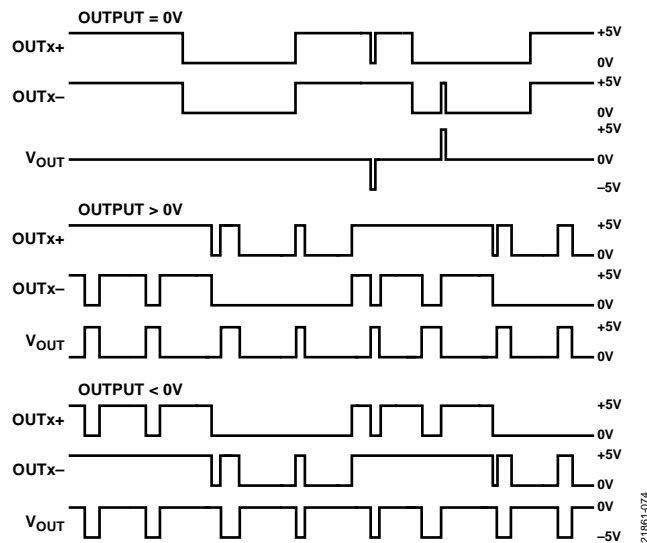


Figure 84. Three-Level,  $\Sigma$ - $\Delta$  Output Modulation With and Without Input Stimulus

## BOOTSTRAP CAPACITORS

The output stage of the SSM3582A uses a high-side NMOS driver, rather than a PMOS driver. To generate the gate drive voltage for the high-side NMOS, a bootstrap capacitor for each output terminal acts as a floating power supply for the switching cycle. Use 0.22  $\mu\text{F}$  capacitors to connect the appropriate output pin ( $\text{OUTx}\pm$ ) to the bootstrap pin ( $\text{BSTx}\pm$ ). For example, connect a 0.22  $\mu\text{F}$  capacitor between  $\text{OUTL+}$  (a left channel, noninverting output) and  $\text{BSTL+}$  for bootstrapping the left channel. Similarly, connect another 0.22  $\mu\text{F}$  capacitor between the  $\text{OUTL-}$  and  $\text{BSTL-}$  pins for the left channel inverting output.

## POWER SUPPLY DECOUPLING

To ensure high efficiency, low THD, and high PSRR, proper power supply decoupling is necessary. Noise transients on the power supply lines are short duration voltage spikes. These spikes can contain frequency components that extend into the hundreds of megahertz. The power supply input must be decoupled with a good quality, low ESL, low ESR bulk capacitor larger than 220  $\mu\text{F}$ . This capacitor bypasses low frequency noise to the ground plane. For high frequency decoupling, place 1  $\mu\text{F}$  capacitors as close as possible to the PVDD pins of the device.

## OUTPUT EMI FILTERING

Additional EMI filtering may be required when the speaker traces and cables are long and present a significant capacitive load that can create additional draw from the amplifier. Typical power ferrites present a significant magnetic hysteresis cycle that affects THD performance and are not recommended for high performance designs. The NFZ filter series from Murata, designed in close collaboration with Analog Devices, Inc., provides a closed hysteresis loop similar to an air coil with minimum impact on performance. Products are available at upwards of 4 A rms, well suited to this application. A small capacitor can be added between the output of the filter and ground to further attenuate very high frequencies. Take care to ensure the capacitor is properly sized to avoid affecting idle power consumption or efficiency.

## PCB PLACEMENT

Component selection and placement influence greatly on system performance, both measured and subjective. Proper PVDD layout and decoupling is necessary to reach the specified level of performance, particularly at the highest power levels. The placement shown in Figure 85 ensures proper output stage decoupling for each channel, for minimum supply noise and maximum separation between channels. Additional bulk decoupling is necessary to reduce current ripple at low frequencies, and can be shared between several amplifiers in a multichannel solution.

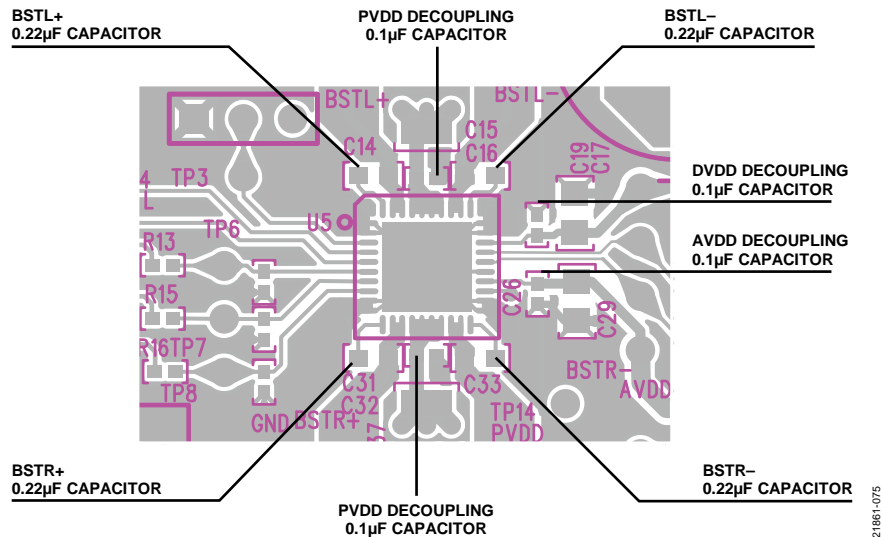


Figure 85. Recommended Component Placement

## LAYOUT

As output power increases, care must be taken to lay out PCB traces and wires properly among the amplifier, load, and power supply. A poor layout increases voltage drops, consequently decreasing efficiency. A good practice is to use short, wide PCB tracks to decrease voltage drops and minimize inductance. For the lowest dc resistance (DCR) and minimum inductance, ensure that track widths for the outputs are at least 200 mil for every inch of length and use 1 oz. or 2 oz. copper.

To maintain high output swing and high peak output power, and to maintain minimal trace resistances, the PCB traces that connect the output pins to the load and supply pins must be as wide as possible. In addition, good PCB layout isolates critical analog paths from sources of high interference. Separate high frequency circuits (analog and digital) from low frequency circuits.

PVDD and PGND carry most of the device current, and must be properly decoupled with multiple capacitors at the device pins. To minimize ground bounce, use independent large traces to carry PVDD and PGND to the power supply, thus reducing

the amount of noise the amplifier bridges inject in the circuit, particularly if common ground impedance is significant. Proper grounding guidelines help improve audio performance, minimize crosstalk between channels, and prevent switching noise from coupling into the audio signal.

Properly designed multilayer PCBs can reduce EMI emission and increase immunity to the RF field by a factor of 10 or more, compared with double sided boards. A multilayer board allows a complete layer to be used for the ground plane, whereas the ground plane side of a double sided board is often disrupted by signal crossover.

If the system has separate analog and digital ground and power planes, the analog ground plane must be directly beneath the analog power plane, and, similarly, the digital ground plane must be directly beneath the digital power plane. There must be no overlap between the analog and digital ground planes or between the analog and digital power planes.

## REGISTER SUMMARY

Table 23. Register Summary

Reg	Name	Bits	Bit 7	Bit 6	Bit 5	Bit 4	Bit 3	Bit 2	Bit 1	Bit 0	Reset	RW	
0x00	VENDOR_ID	[7:0]	VENDOR									0x41	R
0x01	DEVICE_ID1	[7:0]	DEVICE1									0x35	R
0x02	DEVICE_ID2	[7:0]	DEVICE2									0x82	R
0x03	REVISION	[7:0]	REV									0x01	R
0x04	POWER_CTRL	[7:0]	APWDN_EN	RESERVED	TEMP_PWDN	MONO	R_PWDN	L_PWDN	RESERVED	SPWDN	0xA1	R/W	
0x05	AMP_DAC_CTRL	[7:0]	DAC_LPM	RESERVED	DAC_POL_R	DAC_POL_L	EDGE	RESERVED	ANA_GAIN		0x8A	R/W	
0x06	DAC_CTRL	[7:0]	DAC_HV	DAC_MUTE_R	DAC_MUTE_L	DAC_HPF	RESERVED	DAC_FS			0x02	R/W	
0x07	VOL_LEFT_CTRL	[7:0]	VOL_L									0x40	R/W
0x08	VOL_RIGHT_CTRL	[7:0]	VOL_R									0x40	R/W
0x09	SAI_CTRL1	[7:0]	RESERVED	BCLK_POL	TDM_BCLKS			FSYNC_MODE	SDATA_FMT	SAI_MODE	0x11	R/W	
0x0A	SAI_CTRL2	[7:0]	SDATA_EDGE	RESERVED		DATA_WIDTH	VOL_ZC_ONLY	CLIP_LINK	VOL_LINK	AUTO_SLOT	0x07	R/W	
0x0B	SLOT_LEFT_CTRL	[7:0]	RESERVED			TDM_SLOT_L						0x00	R/W
0x0C	SLOT_RIGHT_CTRL	[7:0]	RESERVED			TDM_SLOT_R						0x01	R/W
0x0E	LIM_LEFT_CTRL1	[7:0]	LIM_RRT_L		LIM_ATR_L		RESERVED	VBAT_TRACK_L	LIM_EN_L		0xA0	R/W	
0x0F	LIM_LEFT_CTRL2	[7:0]	LIM_THRES_L					RESERVED	SLOPE_L		0x51	R/W	
0x10	LIM_LEFT_CTRL3	[7:0]	VBAT_INF_L									0x22	R/W
0x11	LIM_RIGHT_CTRL1	[7:0]	LIM_RRT_R		LIM_ATR_R		LIM_LINK	VBAT_TRACK_R	LIM_EN_R		0xA8	R/W	
0x12	LIM_RIGHT_CTRL2	[7:0]	LIM_THRES_R					RESERVED	SLOPE_R		0x51	R/W	
0x13	LIM_RIGHT_CTRL3	[7:0]	VBAT_INF_R									0x22	R/W
0x14	CLIP_LEFT_CTRL	[7:0]	DAC_CLIP_L									0xFF	R/W
0x15	CLIP_RIGHT_CTRL	[7:0]	DAC_CLIP_R									0xFF	R/W
0x16	FAULT_CTRL1	[7:0]	RESERVED		OTW_GAIN_R		RESERVED		OTW_GAIN_L		0x00	R/W	
0x17	FAULT_CTRL2	[7:0]	MRCV	RESERVED	MAX_AR		RESERVED	ARCV_UV	ARCV_OT	ARCV_OC	0x30	R/W	
0x18	STATUS1	[7:0]	UVLO_PVDD	UVLO_VREG	RESERVED					OTF	OTW	0x00	R
0x19	STATUS2	[7:0]	LIM_EG_R	CLIP_R	AMP_OC_R	BAT_WARN_R	LIM_EG_L	CLIP_L	AMP_OC_L	BAT_WARN_L	0x00	R	
0x1A	VBAT	[7:0]	VBAT									0x00	R
0x1B	TEMP	[7:0]	TEMP									0x00	R
0x1C	SOFT_RESET	[7:0]	RESERVED								S_RST	0x00	R/W

## REGISTER DETAILS

Address: 0x00, Reset: 0x41, Name: VENDOR\_ID

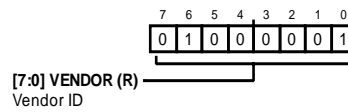


Table 24. Bit Descriptions for VENDOR\_ID

Bits	Bit Name	Settings	Description	Reset	Access
[7:0]	VENDOR		Vendor ID	0x41	R

Address: 0x01, Reset: 0x35, Name: DEVICE\_ID1

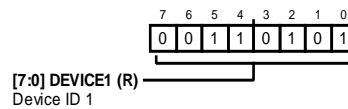


Table 25. Bit Descriptions for DEVICE\_ID1

Bits	Bit Name	Settings	Description	Reset	Access
[7:0]	DEVICE1		Device ID 1	0x35	R

Address: 0x02, Reset: 0x82, Name: DEVICE\_ID2

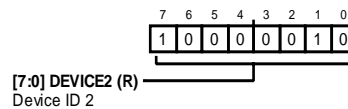


Table 26. Bit Descriptions for DEVICE\_ID2

Bits	Bit Name	Settings	Description	Reset	Access
[7:0]	DEVICE2		Device ID 2	0x82	R

Address: 0x03, Reset: 0x01, Name: REVISION

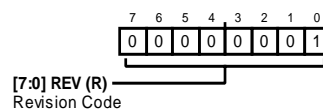


Table 27. Bit Descriptions for REVISION

Bits	Bit Name	Settings	Description	Reset	Access
[7:0]	REV		Revision Code	0x1	R

Address: 0x04, Reset: 0xA1, Name: POWER\_CTRL

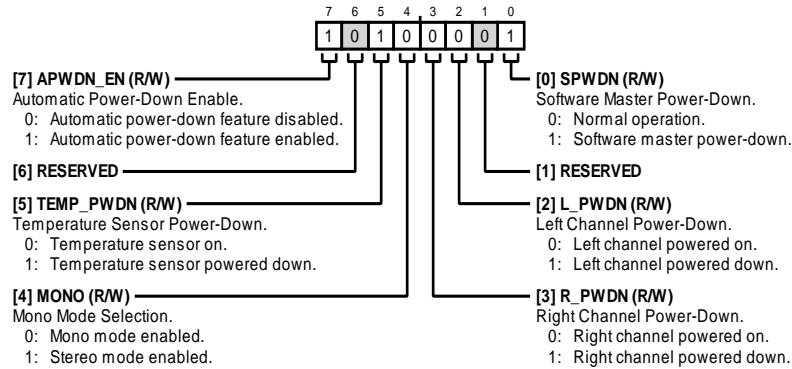


Table 28. Bit Descriptions for POWER\_CTRL

Bits	Bit Name	Settings	Description	Reset	Access
7	APWDN_EN	0 1	Automatic Power-Down Enable. Automatic power-down feature disabled. Automatic power-down feature enabled.	0x1	R/W
6	RESERVED		Reserved.	0x0	R
5	TEMP_PWDN	0 1	Temperature Sensor Power-Down. Temperature sensor on. Temperature sensor powered down.	0x1	R/W
4	MONO	0 1	Mono Mode Selection. Stereo mode enabled. Mono mode enabled.	0x0	R/W
3	R_PWDN	0 1	Right Channel Power-Down. Right channel powered on. Right channel powered down.	0x0	R/W
2	L_PWDN	0 1	Left Channel Power-Down. Left channel powered on. Left channel powered down.	0x0	R/W
1	RESERVED		Reserved.	0x0	R
0	SPWDN	0 1	Software Master Power-Down Normal operation. Software master power-down.	0x1	R/W



Address: 0x05, Reset: 0x8A, Name: AMP\_DAC\_CTRL

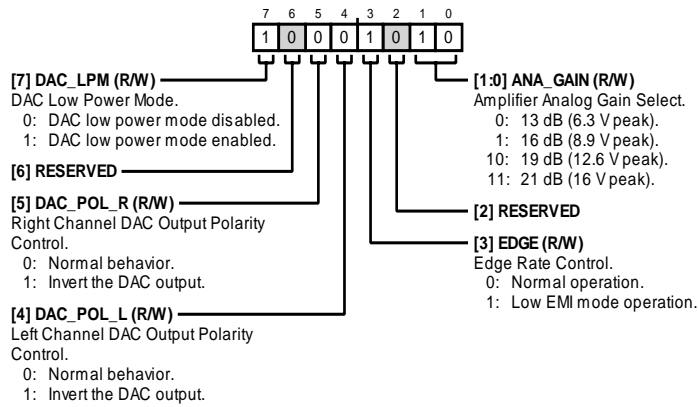


Table 29. Bit Descriptions for AMP\_DAC\_CTRL

Bits	Bit Name	Settings	Description	Reset	Access
7	DAC_LPM	0 1	DAC Low Power Mode. DAC low power mode disabled. DAC low power mode enabled.	0x1	R/W
6	RESERVED		Reserved.	0x0	R
5	DAC_POL_R	0 1	Right Channel DAC Output Polarity Control. Normal behavior. Invert the DAC output.	0x0	R/W
4	DAC_POL_L	0 1	Left Channel DAC Output Polarity Control. Normal behavior. Invert the DAC output.	0x0	R/W
3	EDGE	0 1	Edge Rate Control. Normal operation. Low EMI mode operation.	0x1	R/W
2	RESERVED		Reserved.	0x0	R
[1:0]	ANA_GAIN	0 1 10 11	Amplifier Analog Gain Select. 13 dB (6.3 V peak). 16 dB (8.9 V peak). 19 dB (12.6 V peak). 21 dB (16 V peak).	0x2	R/W

Address: 0x06, Reset: 0x02, Name: DAC\_CTRL

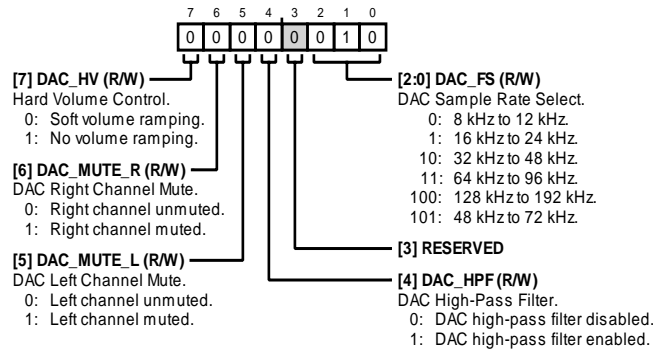
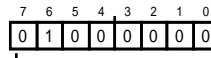


Table 30. Bit Descriptions for DAC\_CTRL

Bits	Bit Name	Settings	Description	Reset	Access
7	DAC_HV	0 1	Hard Volume Control. Soft volume ramping. No volume ramping.	0x0	R/W
6	DAC_MUTE_R	0 1	DAC Right Channel Mute. Right channel unmuted. Right channel muted.	0x0	R/W
5	DAC_MUTE_L	0 1	DAC Left Channel Mute. Left channel unmuted. Left channel muted.	0x0	R/W
4	DAC_HPF	0 1	DAC High-Pass Filter. DAC high-pass filter disabled. DAC high-pass filter enabled.	0x0	R/W
3	RESERVED		Reserved.	0x0	R
[2:0]	DAC_FS	0 1 10 11 100 101	DAC Sample Rate Select. 8 kHz to 12 kHz. 16 kHz to 24 kHz. 32 kHz to 48 kHz. 64 kHz to 96 kHz. 128 kHz to 192 kHz. 48 kHz to 72 kHz.	0x2	R/W

Address: 0x07, Reset: 0x40, Name: VOL\_LEFT\_CTRL

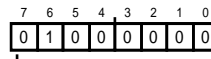


**[7:0] VOL\_L (R/W)**  
Left Channel Volume.  
0x00: +24 dB.  
0x01: +23.625 dB.  
0x02: ...  
...  
0xFD: -70.875 dB.  
0xFE: -71.25 dB.  
0xFF: Mute.

Table 31. Bit Descriptions for VOL\_LEFT\_CTRL

Bits	Bit Name	Settings	Description	Reset	Access
[7:0]	VOL_L	0x00 0x01 0x02 0x3F 0x40 0x41 0x42 0xFD 0xFE 0xFF	Left Channel Volume. +24 dB. +23.625 dB. ... +0.375 dB. 0 dB. -0.375 dB. ... -70.875 dB. -71.25 dB. Mute.	0x40	R/W

Address: 0x08, Reset: 0x40, Name: VOL\_RIGHT\_CTRL



**[7:0] VOL\_R (R/W)**  
Right Channel Volume.  
0x00: +24 dB.  
0x01: +23.625 dB.  
0x02: ...  
...  
0xFD: -70.875 dB.  
0xFE: -71.25 dB.  
0xFF: Mute.

Table 32. Bit Descriptions for VOL\_RIGHT\_CTRL

Bits	Bit Name	Settings	Description	Reset	Access
[7:0]	VOL_R	0x00 0x01 0x02 0x3F 0x40 0x41 0x42 0xFD 0xFE 0xFF	Right Channel Volume. +24 dB. +23.625 dB. ... +0.375 dB. 0 dB -0.375 dB. ... -70.875 dB. -71.25 dB. Mute.	0x40	R/W

Address: 0x09, Reset: 0x11, Name: SAI\_CTRL1

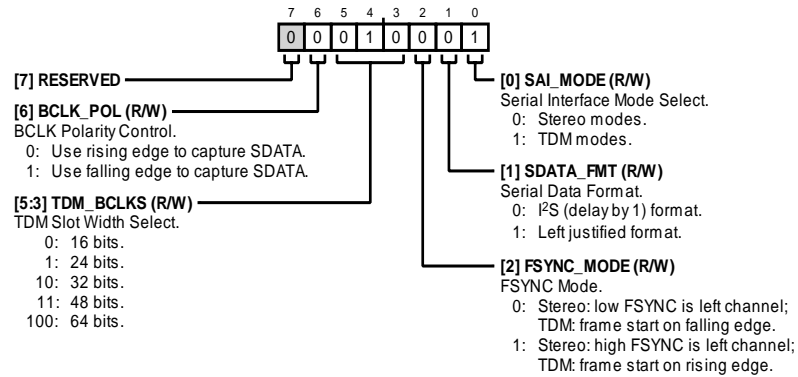


Table 33. Bit Descriptions for SAI\_CTRL1

Bits	Bit Name	Settings	Description	Reset	Access
7	RESERVED		Reserved.	0x0	R
6	BCLK_POL	0 1	BCLK Polarity Control. 0 Use rising edge to capture SDATA. 1 Use falling edge to capture SDATA.	0x0	R/W
[5:3]	TDM_BCLKS	0 1 10 11 100	TDM Slot Width Select. 0 16 bits. 1 24 bits. 10 32 bits. 11 48 bits. 100 64 bits.	0x2	R/W
2	FSYNC_MODE	0 1	FSYNC Mode. 0 Stereo: low FSYNC is left channel; TDM: frame start on falling edge. 1 Stereo: high FSYNC is left channel; TDM: frame start on rising edge.	0x0	R/W
1	SDATA_FMT	0 1	Serial Data Format. 0 I <sup>2</sup> S (delay by 1) format. 1 Left justified format.	0x0	R/W
0	SAI_MODE	0 1	Serial Interface Mode Select. 0 Stereo modes. 1 TDM modes.	0x1	R/W

Address: 0x0A, Reset: 0x07, Name: SAI\_CTRL2

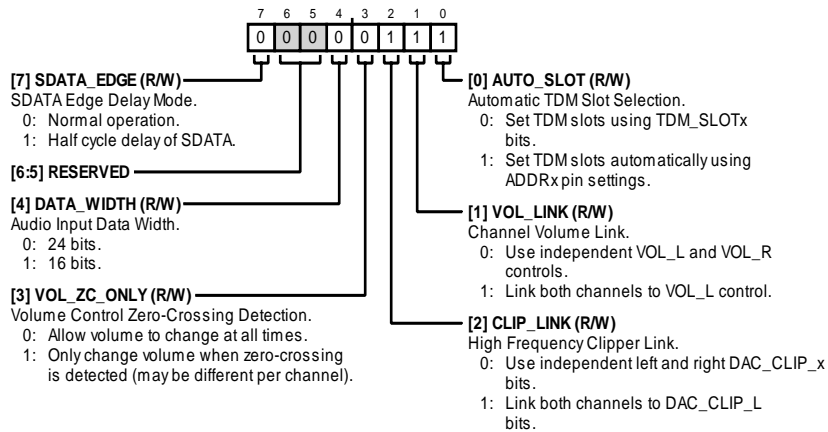


Table 34. Bit Descriptions for SAI\_CTRL2

Bits	Bit Name	Settings	Description	Reset	Access
7	SDATA_EDGE	0 1	SDATA Edge Delay Mode. Normal operation. Half cycle delay of SDATA.	0x0	R/W
[6:5]	RESERVED		Reserved.	0x0	R
4	DATA_WIDTH	0 1	Audio Input Data Width. 24 bits. 16 bits.	0x0	R/W
3	VOL_ZC_ONLY	0 1	Volume Control Zero-Crossing Detection. Allow volume to change at all times. Only change volume when zero-crossing is detected (may be different per channel).	0x0	R/W
2	CLIP_LINK	0 1	High Frequency Clipper Link. Use independent left and right DAC_CLIP_x bits. Link both channels to DAC_CLIP_L bits.	0x1	R/W
1	VOL_LINK	0 1	Channel Volume Link. Use independent VOL_L and VOL_R controls. Link both channels to VOL_L control.	0x1	R/W
0	AUTO_SLOT	0 1	Automatic TDM Slot Selection. Set TDM slots using TDM_SLOT_x bits. Set TDM slots automatically using the ADDRx pin settings.	0x1	R/W

Address: 0x0B, Reset: 0x00, Name: SLOT\_LEFT\_CTRL

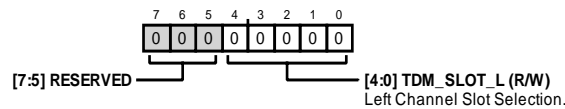


Table 35. Bit Descriptions for SLOT\_LEFT\_CTRL

Bits	Bit Name	Settings	Description	Reset	Access
[7:5]	RESERVED		Reserved.	0x0	R
[4:0]	TDM_SLOT_L		Left Channel Slot Selection.	0x0	R/W

Address: 0x0C, Reset: 0x01, Name: SLOT\_RIGHT\_CTRL

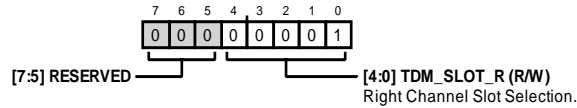


Table 36. Bit Descriptions for SLOT\_RIGHT\_CTRL

Bits	Bit Name	Settings	Description	Reset	Access
[7:5]	RESERVED		Reserved.	0x0	R
[4:0]	TDM_SLOT_R		Right Channel Slot Selection.	0x1	R/W

Address: 0x0E, Reset: 0xA0, Name: LIM\_LEFT\_CTRL1

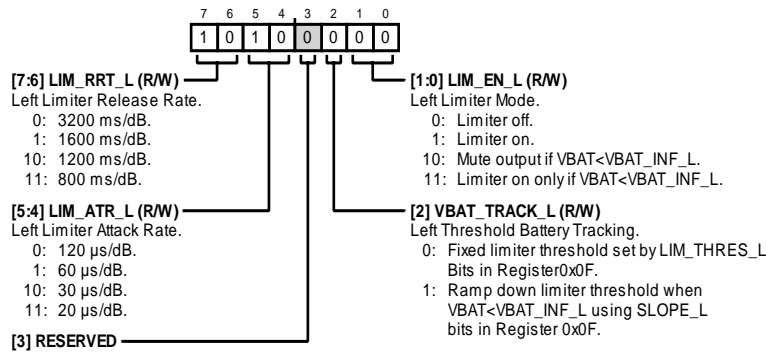


Table 37. Bit Descriptions for LIM\_LEFT\_CTRL1

Bits	Bit Name	Settings	Description	Reset	Access
[7:6]	LIM_RRT_L	0 1 10 11	Left Limiter Release Rate. 3200 ms/dB. 1600 ms/dB. 1200 ms/dB. 800 ms/dB.	0x2	R/W
[5:4]	LIM_ATR_L	0 1 10 11	Left Limiter Attack Rate. 120 $\mu$ s/dB. 60 $\mu$ s/dB. 30 $\mu$ s/dB. 20 $\mu$ s/dB.	0x2	R/W
3	RESERVED		Reserved.	0x0	R
2	VBAT_TRACK_L	0 1	Left Threshold Battery Tracking. 0 Fixed limiter threshold Set by LIM_THRES Bits in Register 0x0F. 1 Ramp down limiter threshold when VBAT < VBAT_INF_L using SLOPE_L bits in Register 0x0F.	0x0	R/W
[1:0]	LIM_EN_L	0 1 10 11	Left Limiter Mode. 0 Limiter off. 1 Limiter on. 10 Mute output if VBAT < VBAT_INF_L. 11 Limiter on only if VBAT < VBAT_INF_L.	0x0	R/W

Address: 0x0F, Reset: 0x51, Name: LIM\_LEFT\_CTRL2

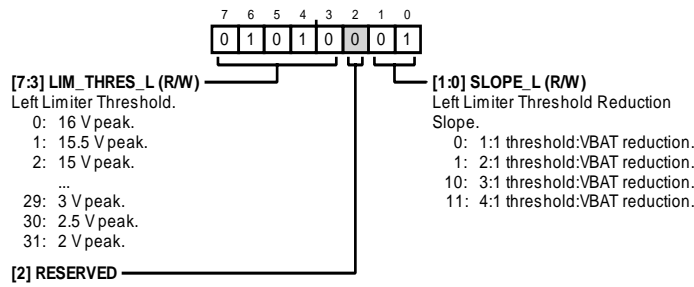


Table 38. Bit Descriptions for LIM\_LEFT\_CTRL2

Bits	Bit Name	Settings	Description	Reset	Access
[7:3]	LIM_THRES_L	0 1 2 3 4 5 6 7 8 9 10 11 12 13 14 15 16 17 18 19 20 21 22 23 24 25 26 27 28 29 30 31	Left Limiter Threshold. 16 V peak. 15.5 V peak. 15 V peak. 14.5 V peak. 14 V peak. 13.5 V peak. 13 V peak. 12.5 V peak. 12 V peak. 11.5 V peak. 11 V peak. 10.5 V peak. 10 V peak. 9.5 V peak. 9.25 V peak. 9 V peak. 8.75 V peak. 8.5 V peak. 8.25 V peak. 8 V peak. 7.5 V peak. 7 V peak. 6.5 V peak. 6 V peak. 5.5 V peak. 5 V peak. 4.5 V peak. 4 V peak. 3.5 V peak. 3 V peak. 2.5 V peak. 2 V peak.	0xA	R/W
2	RESERVED		Reserved.	0x0	R
[1:0]	SLOPE_L	0 1 10 11	Left Limiter Threshold Reduction Slope. 1:1 threshold: VBAT reduction. 2:1 threshold: VBAT reduction. 3:1 threshold: VBAT reduction. 4:1 threshold: VBAT reduction.	0x1	R/W

Address: 0x10, Reset: 0x22, Name: LIM\_LEFT\_CTRL3

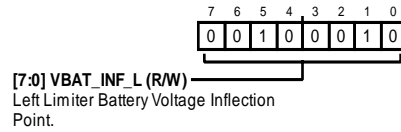


Table 39. Bit Descriptions for LIM\_LEFT\_CTRL3

Bits	Bit Name	Settings	Description	Reset	Access
[7:0]	VBAT_INF_L		Left Limiter Battery Voltage Inflection Point.	0x22	R/W

Address: 0x11, Reset: 0xA8, Name: LIM\_RIGHT\_CTRL1

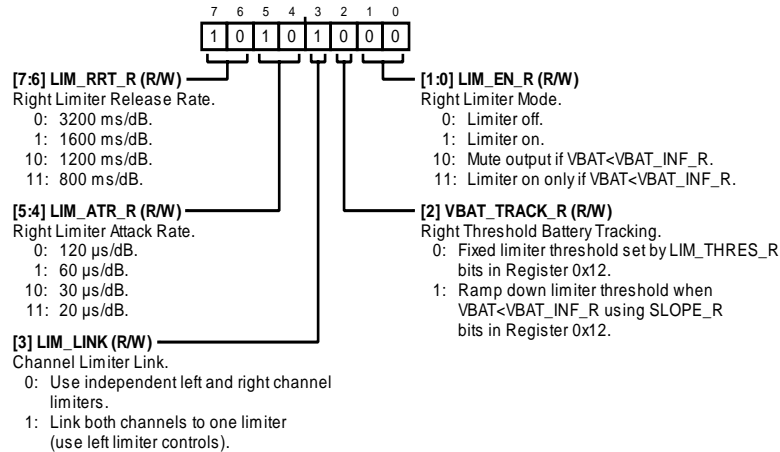


Table 40. Bit Descriptions for LIM\_RIGHT\_CTRL1

Bits	Bit Name	Settings	Description	Reset	Access
[7:6]	LIM_RRT_R	0 1 10 11	Right Limiter Release Rate. 3200 ms/dB. 1600 ms/dB. 1200 ms/dB. 800 ms/dB.	0x2	R/W
[5:4]	LIM_ATR_R	0 1 10 11	Right Limiter Attack Rate. 120 $\mu$ s/dB. 60 $\mu$ s/dB. 30 $\mu$ s/dB. 20 $\mu$ s/dB.	0x2	R/W
3	LIM_LINK	0 1	Channel Limiter Link. Use independent left and right channel limiters. Link both channels to one limiter (use left limiter controls).	0x1	R/W
2	VBAT_TRACK_R	0 1	Right Threshold Battery Tracking. Fixed limiter threshold set by LIM_THRES_R Bits in Register 0x12. Ramp down limiter threshold when VBAT < VBAT_INF_R using SLOPE_R Bits in Register 0x12.	0x0	R/W
[1:0]	LIM_EN_R	0 1 10 11	Right Limiter Mode. Limiter off. Limiter on. Mute output if VBAT < VBAT_INF_R. Limiter on only if VBAT < VBAT_INF_R.	0x0	R/W



Address: 0x12, Reset: 0x51, Name: LIM\_RIGHT\_CTRL2

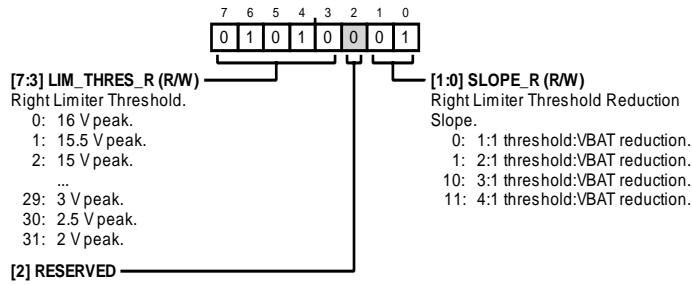
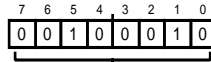


Table 41. Bit Descriptions for LIM\_RIGHT\_CTRL2

Bits	Bit Name	Settings	Description	Reset	Access
[7:3]	LIM_THRES_R	0 1 2 3 4 5 6 7 8 9 10 11 12 13 14 15 16 17 18 19 20 21 22 23 24 25 26 27 28 29 30 31	Right Limiter Threshold. 16 V peak. 15.5 V peak. 15 V peak. 14.5 V peak. 14 V peak. 13.5 V peak. 13 V peak. 12.5 V peak. 12 V peak. 11.5 V peak. 11 V peak. 10.5 V peak. 10 V peak. 9.5 V peak. 9.25 V peak. 9 V peak. 8.75 V peak. 8.5 V peak. 8.25 V peak. 8 V peak. 7.5 V peak. 7 V peak. 6.5 V peak. 6 V peak. 5.5 V peak. 5 V peak. 4.5 V peak. 4 V peak. 3.5 V peak. 3 V peak. 2.5 V peak. 2 V peak.	0xA	R/W
2	RESERVED		Reserved.	0x0	R
[1:0]	SLOPE_R	0 1 10 11	Right Limiter Threshold Reduction Slope. 1:1 threshold: VBAT reduction. 2:1 threshold: VBAT reduction. 3:1 threshold: VBAT reduction. 4:1 threshold: VBAT reduction.	0x1	R/W

Address: 0x13, Reset: 0x22, Name: LIM\_RIGHT\_CTRL3

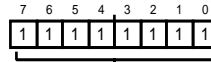


[7:0] VBAT\_INF\_R (R/W)  
Right Limiter Battery Voltage Inflection Point.

Table 42. Bit Descriptions for LIM\_RIGHT\_CTRL3

Bits	Bit Name	Settings	Description	Reset	Access
[7:0]	VBAT_INF_R		Right Limiter Battery Voltage Inflection Point.	0x22	R/W

Address: 0x14, Reset: 0xFF, Name: CLIP\_LEFT\_CTRL

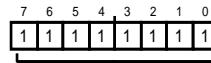


[7:0] DAC\_CLIP\_L (R/W)  
Left DAC High Frequency Clip Value.  
0xFF: Clip to 0 dB.  
0xFE: Clip to 255/256.  
0xFD: Clip to 254/256.  
0xFC: ...  
0x00: Clip to 1/256.

Table 43. Bit Descriptions for CLIP\_LEFT\_CTRL

Bits	Bit Name	Settings	Description	Reset	Access
[7:0]	DAC_CLIP_L		Left DAC High Frequency Clip Value.	0xFF	R/W
		0xFF	Clip to 0 dB.		
		0xFE	Clip to 255/256.		
		0xFD	Clip to 254/256.		
		0xFC	...		
		0x00	Clip to 1/256.		

Address: 0x15, Reset: 0xFF, Name: CLIP\_RIGHT\_CTRL



[7:0] DAC\_CLIP\_R (R/W)  
Right DAC High Frequency Clip Value.  
0xFF: Clip to 256/256.  
0xFE: Clip to 255/256.  
0xFD: Clip to 254/256.  
0xFC: ...  
0x00: Clip to 1/256.

Table 44. Bit Descriptions for CLIP\_RIGHT\_CTRL

Bits	Bit Name	Settings	Description	Reset	Access
[7:0]	DAC_CLIP_R		Right DAC High Frequency Clip Value.	0xFF	R/W
		0xFF	Clip to 256/256.		
		0xFE	Clip to 255/256.		
		0xFD	Clip to 254/256.		
		0xFC	...		
		0x00	Clip to 1/256.		

Address: 0x16, Reset: 0x00, Name: FAULT\_CTRL1

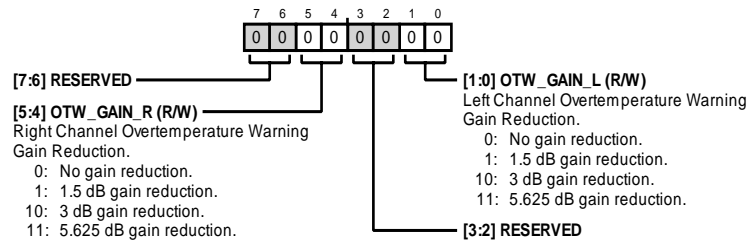


Table 45. Bit Descriptions for FAULT\_CTRL1

Bits	Bit Name	Settings	Description	Reset	Access
[7:6]	RESERVED		Reserved.	0x0	R
[5:4]	OTW_GAIN_R	0 1 10 11	Right Channel Overtemperature Warning Gain Reduction. No gain reduction. 1.5 dB gain reduction. 3 dB gain reduction. 5.625 dB gain reduction.	0x0	R/W
[3:2]	RESERVED		Reserved.	0x0	R
[1:0]	OTW_GAIN_L	0 1 10 11	Left Channel Overtemperature Warning Gain Reduction. No gain reduction. 1.5 dB gain reduction. 3 dB gain reduction. 5.625 dB gain reduction.	0x0	R/W

Address: 0x17, Reset: 0x30, Name: FAULT\_CTRL2

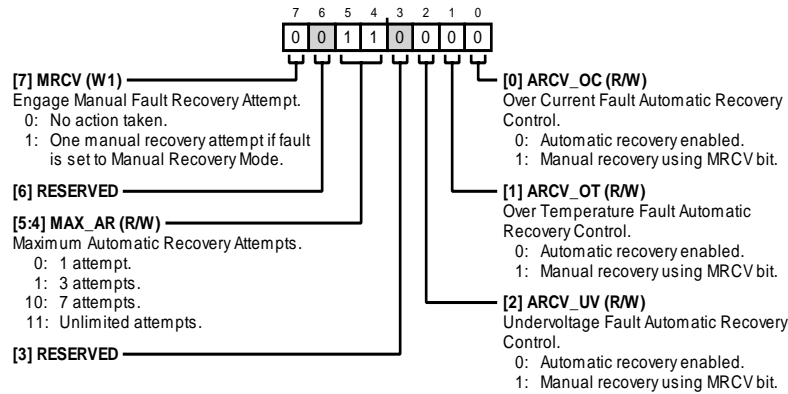


Table 46. Bit Descriptions for FAULT\_CTRL2

Bits	Bit Name	Settings	Description	Reset	Access
7	MRCV	0 1	Engage Manual Fault Recovery Attempt. No action taken. One manual recovery attempt if fault is set to Manual Recovery Mode.	0x0	W1
6	RESERVED		Reserved.	0x0	R
[5:4]	MAX_AR	0 1 10 11	Maximum Automatic Recovery Attempts. 1 attempt. 3 attempts. 7 attempts. Unlimited attempts.	0x3	R/W
3	RESERVED		Reserved.	0x0	R

Address: 0x18, Reset: 0x00, Name: STATUS1

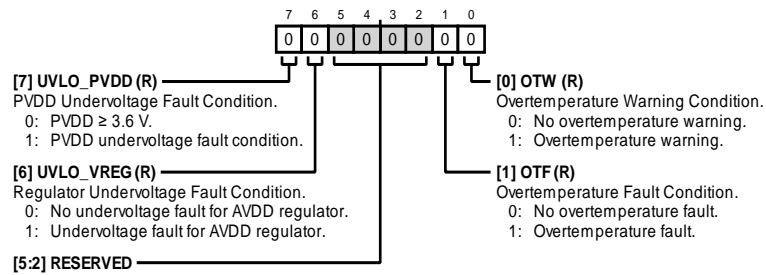


Table 47. Bit Descriptions for STATUS1

Bits	Bit Name	Settings	Description	Reset	Access
7	UVLO_PVDD	0 1	PVDD Undervoltage Fault Condition. PVDD $\geq$ 3.6 V. PVDD undervoltage fault condition.	0x0	R
6	UVLO_VREG	0 1	Regulator Undervoltage Fault Condition. No undervoltage fault for AVDD regulator. Undervoltage fault for AVDD regulator.	0x0	R
[5:2]	RESERVED		Reserved.	0x0	R
1	OTF	0 1	Overtemperature Fault Condition. No overtemperature fault. Overtemperature fault.	0x0	R
0	OTW	0 1	Overtemperature Warning Condition. No overtemperature warning. Overtemperature warning.	0x0	R

Address: 0x19, Reset: 0x00, Name: STATUS2

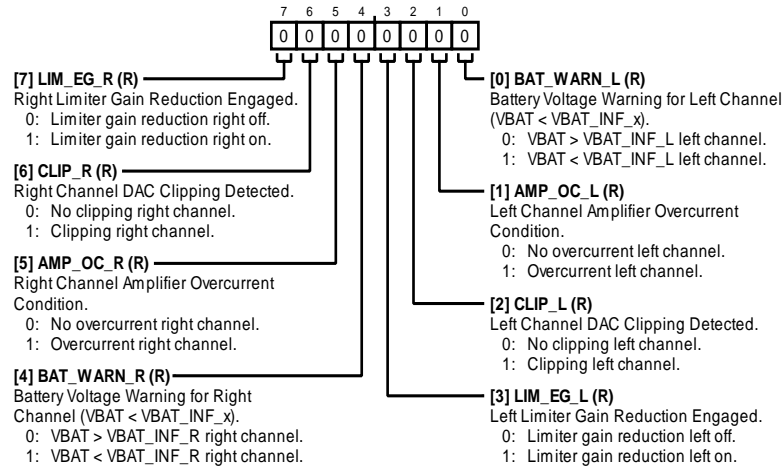


Table 48. Bit Descriptions for STATUS2

Bits	Bit Name	Settings	Description	Reset	Access
7	LIM_EG_R	0 1	Right Limiter Gain Reduction Engaged. Limiter gain reduction right off. Limiter gain reduction right on.	0x0	R
6	CLIP_R	0 1	Right Channel DAC Clipping Detected. No clipping right channel. Clipping right channel.	0x0	R
5	AMP_OC_R	0 1	Right Channel Amplifier Overcurrent Condition. No overcurrent right channel. Overcurrent right channel.	0x0	R
4	BAT_WARN_R	0 1	Battery Voltage Warning for Right Channel (VBAT < VBAT_INF_x). VBAT > VBAT_INF_R right channel. VBAT < VBAT_INF_R right channel.	0x0	R
3	LIM_EG_L	0 1	Left Limiter Gain Reduction Engaged. Limiter gain reduction left off. Limiter gain reduction left on.	0x0	R
2	CLIP_L	0 1	Left Channel DAC Clipping Detected. No clipping left channel. Clipping left channel.	0x0	R
1	AMP_OC_L	0 1	Left Channel Amplifier Overcurrent Condition. No overcurrent left channel. Overcurrent left channel.	0x0	R
0	BAT_WARN_L	0 1	Battery Voltage Warning for Left Channel (VBAT < VBAT_INF_x). VBAT > VBAT_INF_L left channel. VBAT < VBAT_INF_L left channel.	0x0	R

Address: 0x1A, Reset: 0x00, Name: VBAT

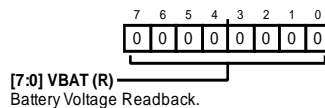


Table 49. Bit Descriptions for VBAT

Bits	Bit Name	Settings	Description	Reset	Access
[7:0]	VBAT		Battery Voltage Readback.	0x0	R

Address: 0x1B, Reset: 0x00, Name: TEMP

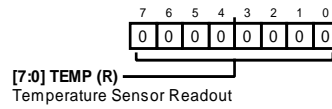


Table 50. Bit Descriptions for TEMP

Bits	Bit Name	Settings	Description	Reset	Access
[7:0]	TEMP		Temperature Sensor Readout. The actual temperature in degrees Celsius is TEMP – 60 decimal.	0x0	R

Address: 0x1C, Reset: 0x00, Name: SOFT\_RESET

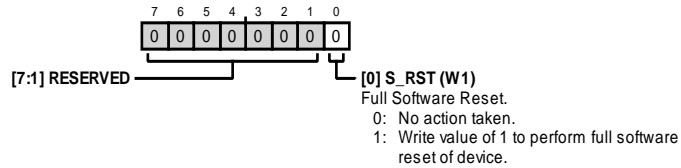


Table 51. Bit Descriptions for SOFT\_RESET

Bits	Bit Name	Settings	Description	Reset	Access
[7:1]	RESERVED		Reserved.	0x0	R
0	S_RST	0 1	Full Software Reset. No action taken. Write value of 1 to perform full software reset of device.	0x0	W1

# APPLICATIONS INFORMATION

## TYPICAL APPLICATION CIRCUIT

Figure 86 shows a typical application circuit for a stereo output. Figure 87 shows a typical application circuit for a mono output.

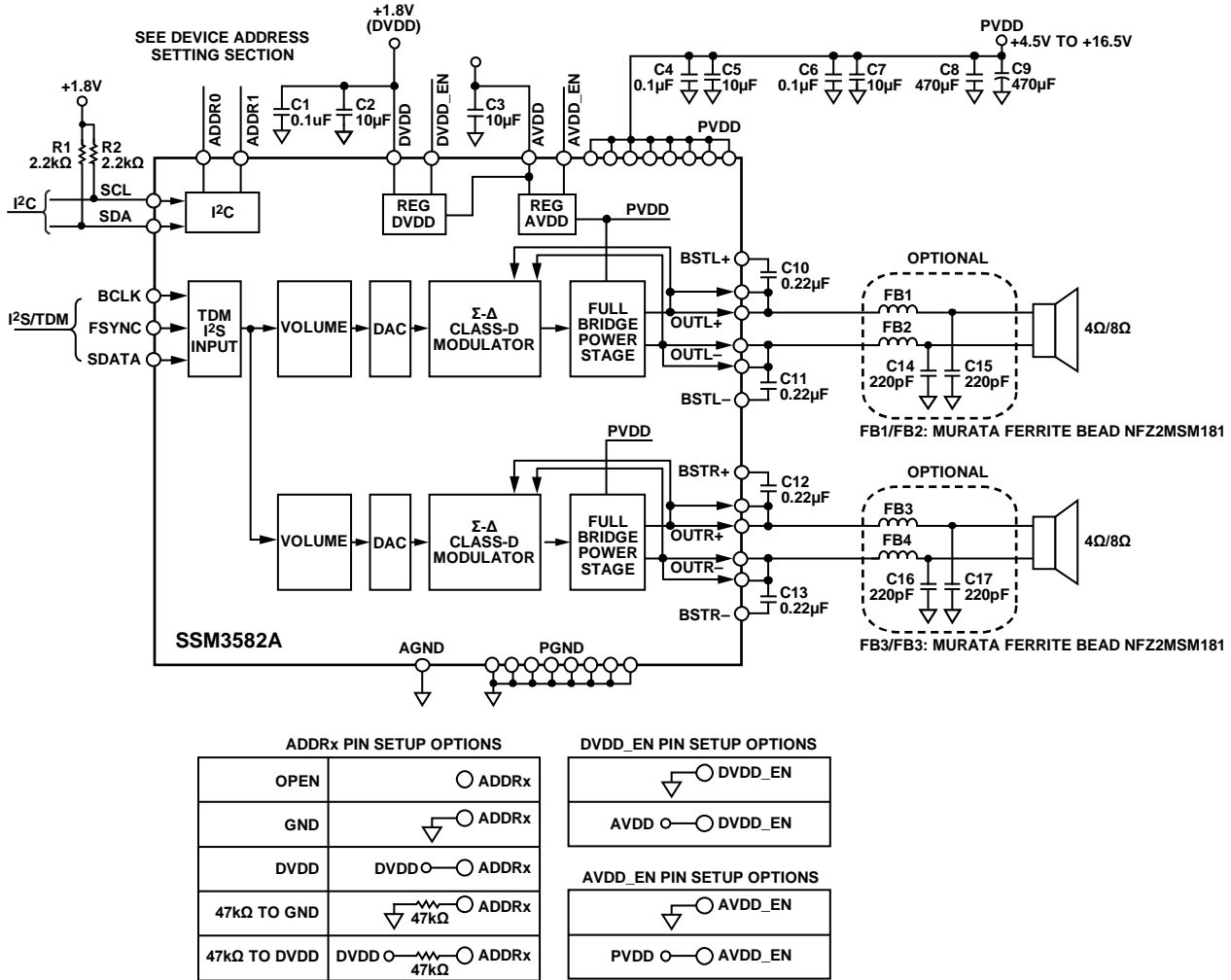
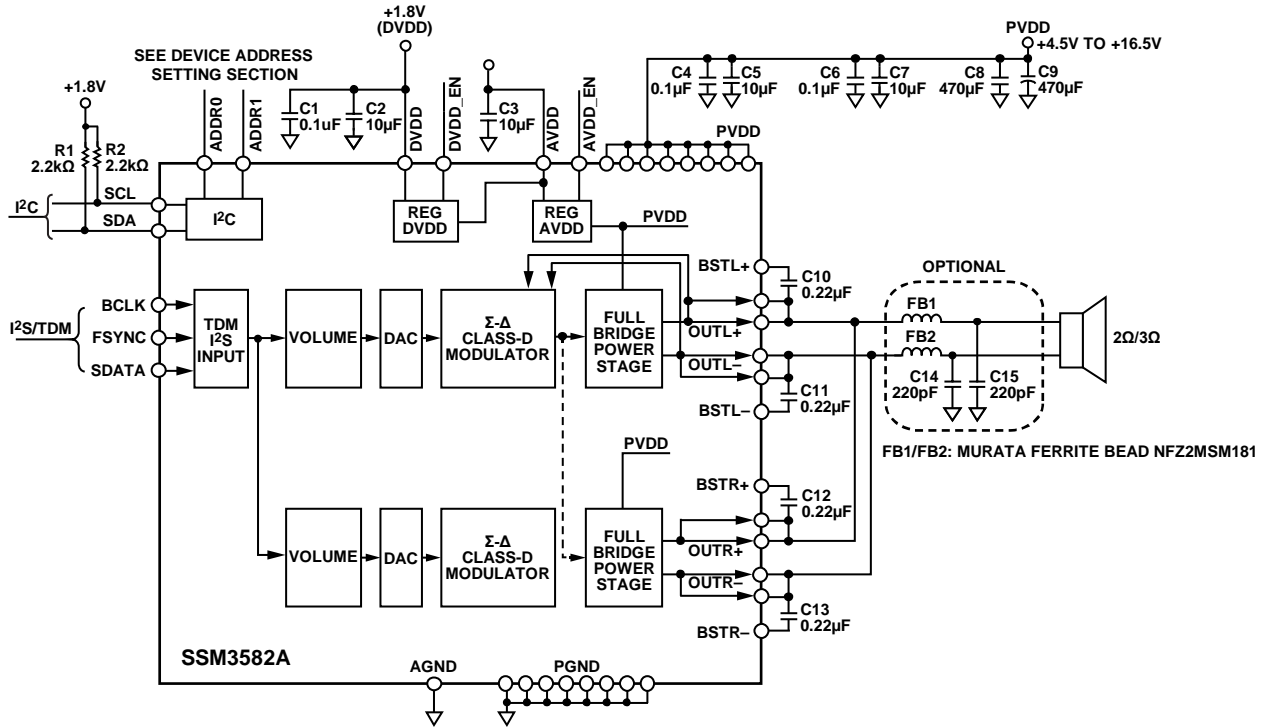


Figure 86. Typical Application Circuit for Stereo Output

21951-084



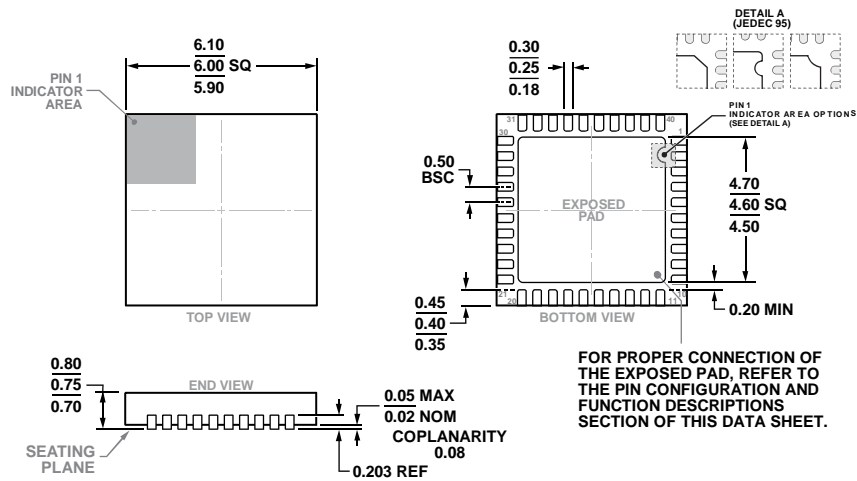


ADDRx PIN SETUP OPTIONS		DVDD_EN PIN SETUP OPTIONS	
OPEN			
GND		AVDD	
DVDD		AVDD_EN PIN SETUP OPTIONS	
47kΩ TO GND			
47kΩ TO DVDD		PVDD	

Figure 87. Typical Application Circuit for Mono Output

21861-085

## OUTLINE DIMENSIONS



COMPLIANT TO JEDEC STANDARDS MO-220-WJJD-5

Figure 88. 40-Lead Lead Frame Chip Scale Package [LFCSP]  
6 mm × 6 mm Body and 0.75 mm Package Height  
(CP-40-7)

Dimensions shown in millimeters

## ORDERING GUIDE

Model <sup>1, 2</sup>	Temperature Range	Package Description	Package Option
SSM3582ACPZ	−40°C to +85°C	40-Lead Lead Frame Chip Scale Package [LFCSP]	CP-40-7
SSM3582ACPZ-RL	−40°C to +85°C	40-Lead Lead Frame Chip Scale Package [LFCSP]	CP-40-7
SSM3582ACPZ-R7	−40°C to +85°C	40-Lead Lead Frame Chip Scale Package [LFCSP]	CP-40-7
EVAL-SSM3582Z		Evaluation Board	

<sup>1</sup> Z = RoHS Compliant Part.

<sup>2</sup> The SSM3582A uses the [EVAL-SSM3582Z](#) evaluation board.

<sup>1</sup>2C refers to a communications protocol originally developed by Philips Semiconductors (now NXP Semiconductors).

# Mouser Electronics

Authorized Distributor

Click to View Pricing, Inventory, Delivery & Lifecycle Information:

[Analog Devices Inc.:](#)

[EVAL-SSM3582Z](#) [SSM3582ACPZ](#) [SSM3582ACPZ-R7](#) [SSM3582ACPZ-RL](#)