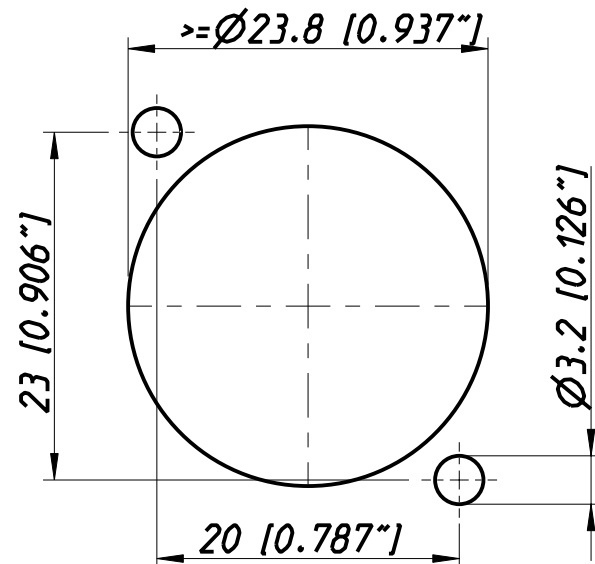
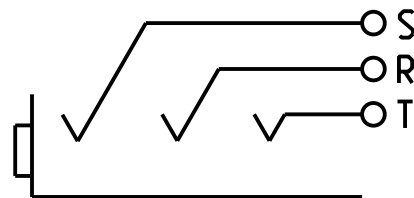


Frontplattenausschnitt (Frontseite)
Panel cut out (front side)

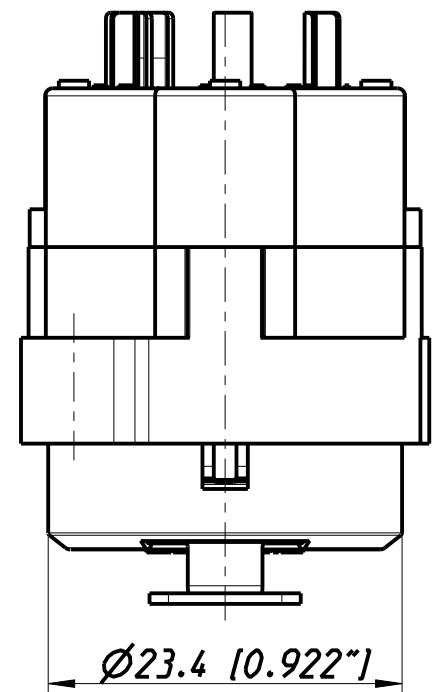
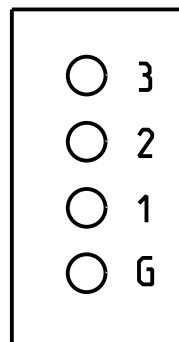


CONTACTS

JACK



XLR



Allgemeintoleranzen ISO 2768-m	Werkstoff	Massstab:	Datum	Name
	KEIN_MAT	2:1 (A3)	25.05.98	Dobler
Zeichnung urheberrechtlich geschützt (DIN 34) (C)	-		Freigegeben	-
			Geaenderl	07.11.03
Benennung			Aend.-Nr.	Aend.-Index
- NC J6F1-S			245-2003	A
			Ersatz fuer:	Blatt 1 von 1 Bl.
NEUTRIK AG FL-9494 SCHAAN			Zeichn. Nr.	
			3102ST1728	

Combo / Combo Series

Combined XLR receptacle and phone jack. New attractive `front end` design (30% less protruding from panel than original). Saves racks space by combining 2 connectors in one housing. Horizontal or vertical PCB mounting or hard wire soldering. Full normalled. Stereo or mono version. Very low conductor capacitance, therefore suitable for Digital Audio. Fully compatible to the predecessor Combo. Fastening: Self-tapping PT® screws with thread 2.9x1.06 and tri-rondular configuration.

NCJ5FI-H

3 pole XLR female receptacle with 1/4" mono jack without normalling, horizontal PCB mounting.

[Specs](#) [PDF](#) [DXF](#)

NCJ5FI-H-0

3 pole XLR female receptacle with 1/4" mono jack without normalling, horizontal PCB mounting. Retention spring instead of positive latching.

[Specs](#) [PDF](#) [DXF](#)

NCJ5FI-S

3 pole XLR female receptacle with 1/4" mono jack without normalling. With solder cups for wire termination.

[Specs](#) [PDF](#) [DXF](#)

NCJ5FI-S-0

3 pole XLR female receptacle with 1/4" mono jack without normalling. With solder cups for wire termination and with retention spring instead of positive latching.

[Specs](#) [PDF](#) [DXF](#)

NCJ5FI-V

3 pole XLR female receptacle with 1/4" mono jack without normalling, vertical PCB mounting.

[Specs](#) [PDF](#) [DXF](#)

NCJ5FI-V-0

3 pole XLR female receptacle with 1/4" mono jack without normalling, vertical PCB mounting. Retention spring instead of positive latching.

[Specs](#) [PDF](#) [DXF](#)

NCJ6FI-H

3 pole XLR female receptacle with 1/4" stereo jack without normalling, horizontal PCB mounting.

[Specs](#) [PDF](#) [DXF](#)

NCJ6FI-H-0

3 pole XLR female receptacle with 1/4" stereo jack without normalling, horizontal PCB mounting. Retention spring instead of positive latching.

[Specs](#) [PDF](#) [DXF](#)

NCJ6FI-S

3 pole XLR female receptacle with 1/4" stereo jack without normalling. With solder cups for wire termination.

[Specs](#) [PDF](#) [DXF](#)

NCJ6FI-S-0

3 pole XLR female receptacle with 1/4" stereo jack without normalling. With solder cups for wire termination and with retention spring instead of positive latching.

[Specs](#) [PDF](#) [DXF](#)

NCJ6FI-V

3 pole XLR female receptacle with 1/4" stereo jack without normalling, vertical PCB mounting.

[Specs](#) [PDF](#) [DXF](#)

NCJ6FI-V-0

3 pole XLR female receptacle with 1/4" stereo jack without normalling, vertical PCB mounting. Retention spring instead of positive latching.

[Specs](#) [PDF](#) [DXF](#)

NCJ9FI-H

3 pole XLR female receptacle with 1/4" switching (normalling) stereo jack, horizontal PCB mounting.

[Specs](#) [PDF](#) [DXF](#)

[Specs](#) [PDF](#) [DXF](#)

NCJ9FI-H-0

3 pole XLR female receptacle with 1/4" switching (normalling) stereo jack, horizontal PCB mounting. Retention spring instead of positive latching.

[Specs](#) [PDF](#) [DXF](#)

NCJ9FI-S

3 pole XLR female receptacle with 1/4" switching (normalling) stereo jack. With solder cups for wire termination.

[Specs](#) [PDF](#) [DXF](#)

NCJ9FI-S-0

3 pole XLR female receptacle with 1/4" switching (normalling) stereo jack. With solder cups for wire termination and with retention spring instead of positive latching.

[Specs](#) [PDF](#) [DXF](#)

NCJ9FI-V

3 pole XLR female receptacle with 1/4" switching (normalling) stereo jack, vertical PCB mounting.

[Specs](#) [PDF](#) [DXF](#)

NCJ9FI-V-0

3 pole XLR female receptacle with 1/4" switching (normalling) stereo jack, vertical PCB mounting. Retention spring instead of positive latching.

[Specs](#) [PDF](#) [DXF](#)

NCJ10FI-H

3 pole XLR female receptacle with 1/4" switching ground and stereo jack, horizontal PCB mounting.

[Specs](#) [PDF](#) [DXF](#)

NCJ10FI-H-0

3 pole XLR female receptacle with 1/4" switching ground and stereo jack, horizontal PCB mounting. Retention spring instead of positive latching.

[Specs](#) [PDF](#) [DXF](#)

NCJ10FI-S

3 pole XLR female receptacle with 1/4" switching ground and stereo jack. With solder cups for wire termination.

[Specs](#) [PDF](#) [DXF](#)

NCJ10FI-S-0

3 pole XLR female receptacle with 1/4" switching ground and stereo jack. With solder cups for wire termination and with retention spring instead of positive latching.

[Specs](#) [PDF](#) [DXF](#)

NCJ10FI-V

3 pole XLR female receptacle with 1/4" switching ground and stereo jack, vertical PCB mounting.

[Specs](#) [PDF](#) [DXF](#)

NCJ10FI-V-0

3 pole XLR female receptacle with 1/4" switching ground and stereo jack, vertical PCB mounting. Retention spring instead of positive latching.

[Specs](#) [PDF](#) [DXF](#)



Copyright © 2005
Neutrik® AG.
All Rights Reserved.



Neutrik® AG - Headquarters

Im alten Riet 143
9494 Schaan
Principality of Liechtenstein
phone: +423 2372424
fax: +423 2325393
email: neutrik@neutrik.com
net: <http://www.neutrik.com>