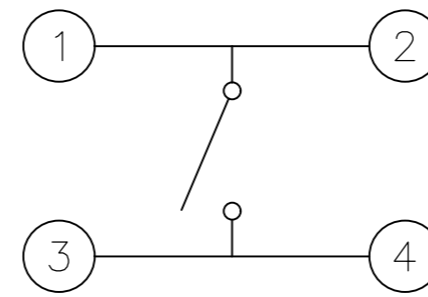
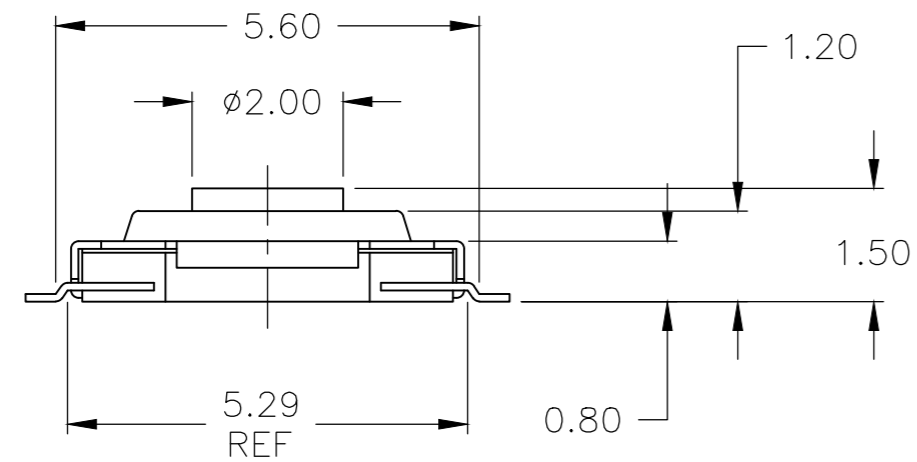
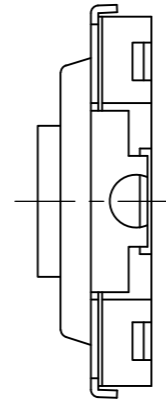
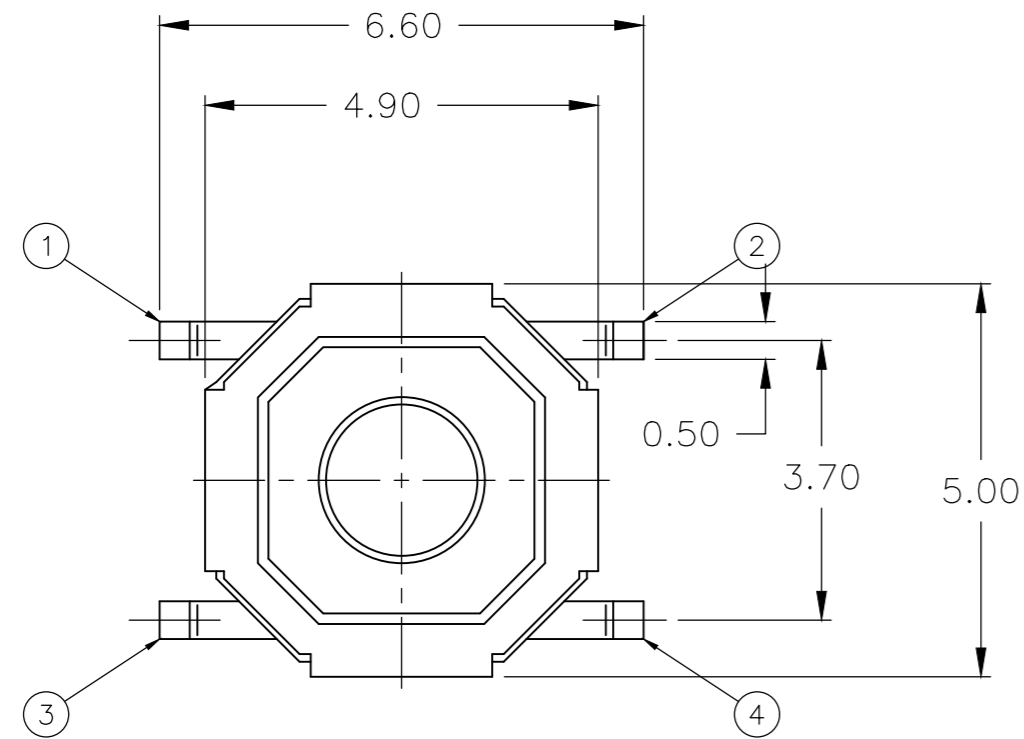
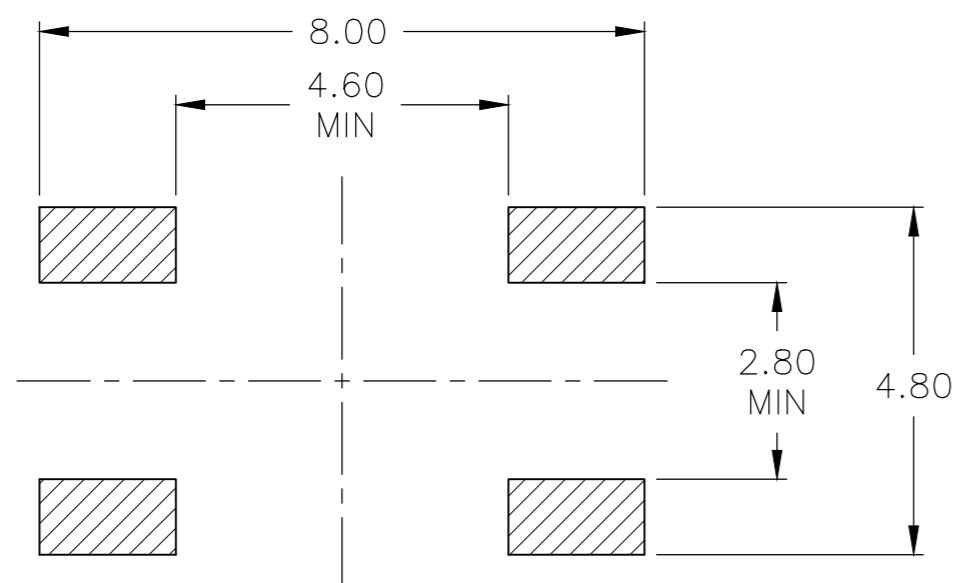


REVISIONS				
P	LTR	DESCRIPTION	DATE	APVD
K		REVISED PER ECO-20-013043	16SEP2020	SB JB



CIRCUIT DIAGRAM



P.C. BOARD LAYOUT

MATERIALS:

CASE: NYLON- 4/6 UL94V-0, COLOR- SEE CHART  
 COVER: NICKEL SILVER  
 ACTUATOR: COPPER ALLOY  
 MOVING CONTACT: STAINLESS STEEL, SILVER FINISH  
 FIXED CONTACT/TERMIAL: COPPER ALLOY, SILVER FINISH

ELECTRICAL:

MAX CONTACT RATING: 50MILLIAMPS@32V DC  
 MIN CONTACT RATING: 10MICROAMPS@1V DC  
 INITIAL CONTACT RESITANCE: 100 MILLIOHMS MAX  
 INSULATION RESISTANCE: 100 MEGAOHMS @ 100 VDC MIN  
 DIELECTRIC STRENGTH: 500 VDC  
 LIFE EXPECTANCY: SEE TABLE

MECHANICAL:

ACTUATION FORCE: SEE TABLE  
 ACTUATION TRAVEL: 0.25 +0.1/-0.2

ENVIROMENTAL:

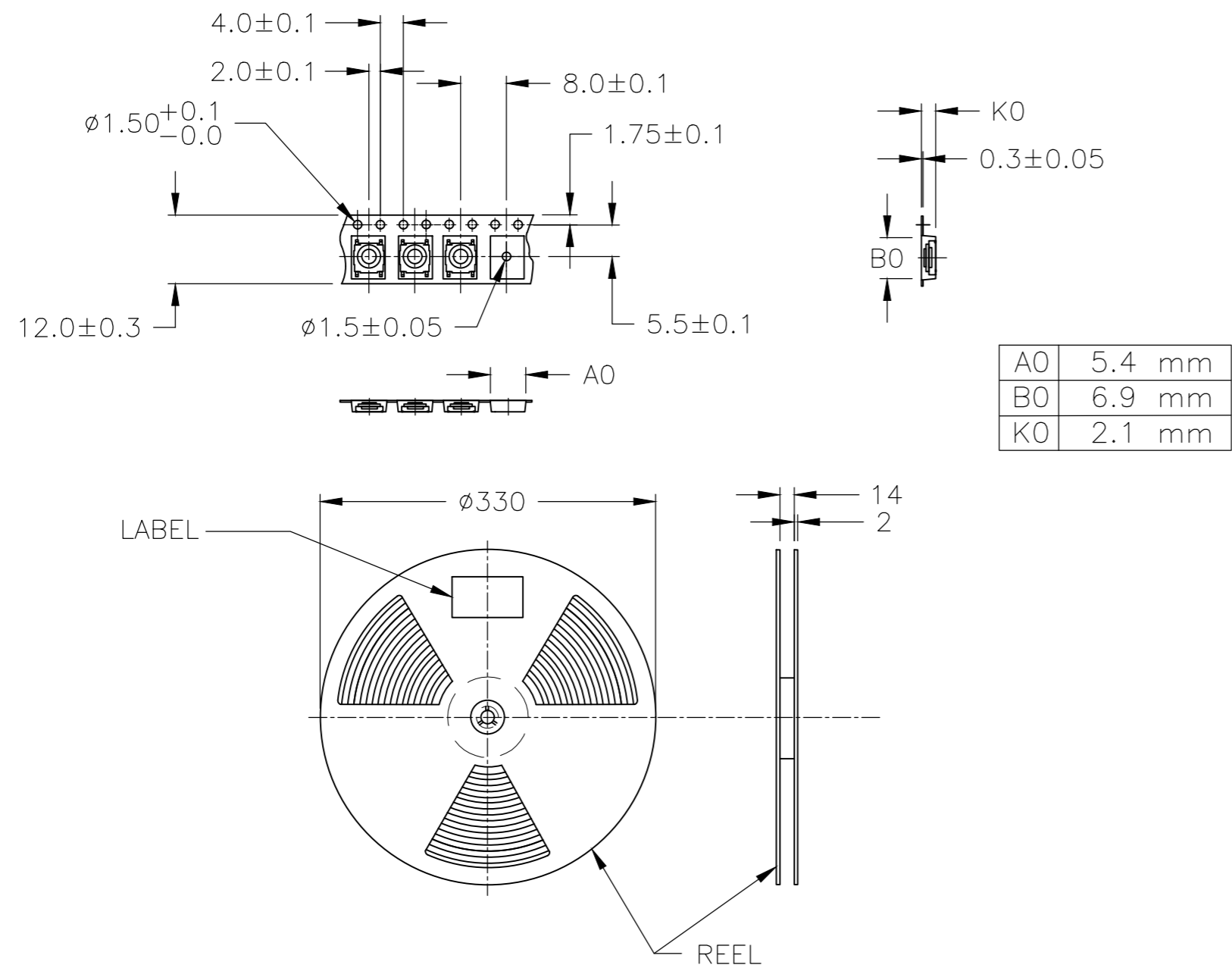
OPERATING TEMPERATURE: -35°C TO 85°C  
 STORAGE TEMPERATURE: -35°C TO 85°C  
 SOLDER HEAT RESISTANCE, PER TEC-109-201 COND B.

- 1 TAPE AND REEL PER EIA 481, 4,000 PCS, PER REEL, TAPE WIDTH 12.00MM, PITCH 8.00MM
- 2 ALL MATERIALS AND FINISHES SHALL COMPLY WITH EU DIRECTIVE 2002/95/EC OF 27JAN2003 (ROHS)

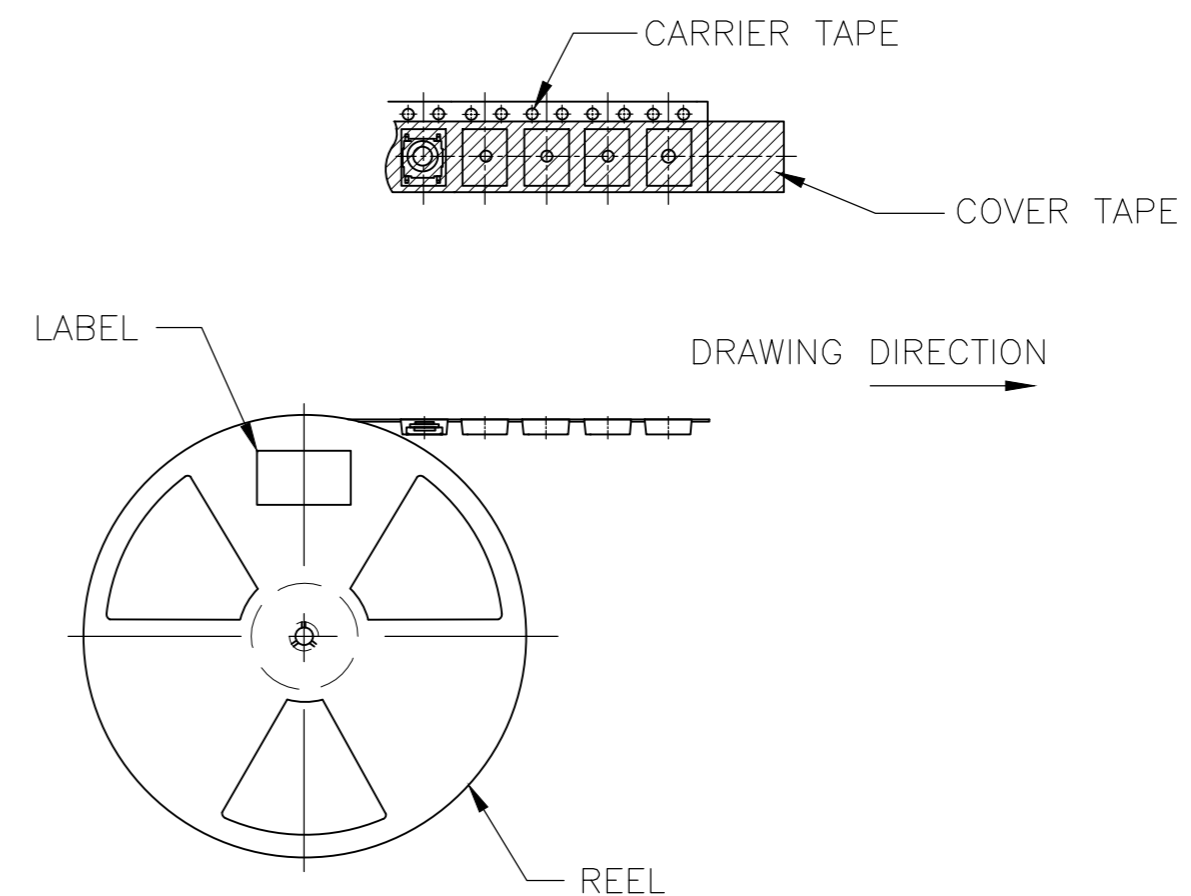
MIN 500,000	FSMCTATR	260±50gf	IVORY	8-1437565-1
MIN 1,000,000	FSMCTTR	160±50gf	BLACK	8-1437565-0
LIFE CYCLES	FORMER T&B PART	ACTUATION FORCE	CASE COLOR	PART NUMBER
THIS DRAWING IS A CONTROLLED DOCUMENT.		DWN M.BINNER 18MAR04	TE Connectivity Ltd.	
DIMENSIONS: mm		CHK M.SARVER 23MAR04		
TOLERANCES UNLESS OTHERWISE SPECIFIED:		APVD M.SARVER 23MAR04	NAME	
0 PLC ± -		PRODUCT SPEC	MICRO MINIATURE PUSHBUTTON SWITCH	
1 PLC ± -		APPLICATION SPEC	SIZE	CAGE CODE
2 PLC ± .20			A2	00779
3 PLC ± -		WEIGHT	DRAWING NO	
4 PLC ± -			C=8-1437565-0	
ANGLES ± 1°			RESTRICTED TO	
FINISH			SCALE	SHEET
-			10:1	1 of 2
		CUSTOMER DRAWING	REV	K

REVISIONS					
P	LTR	DESCRIPTION	DATE	DWN	APVD
-	-	SEE SHEET 1	-	-	-

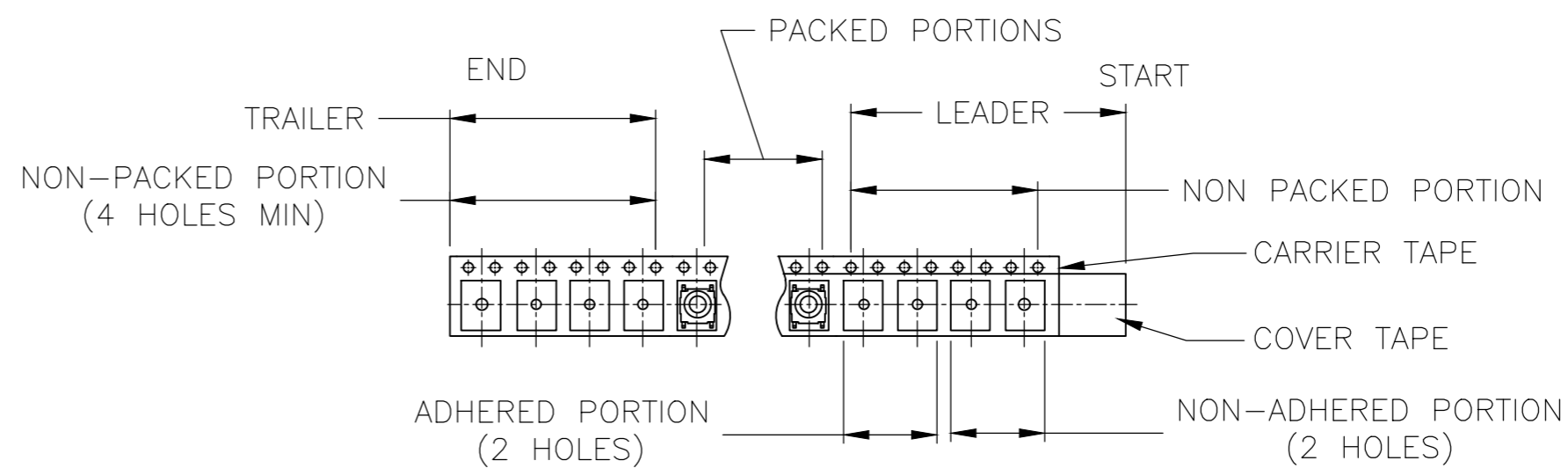
THE DIMENSION OF CARRIER TAPE, COVER TAPE AND REEL



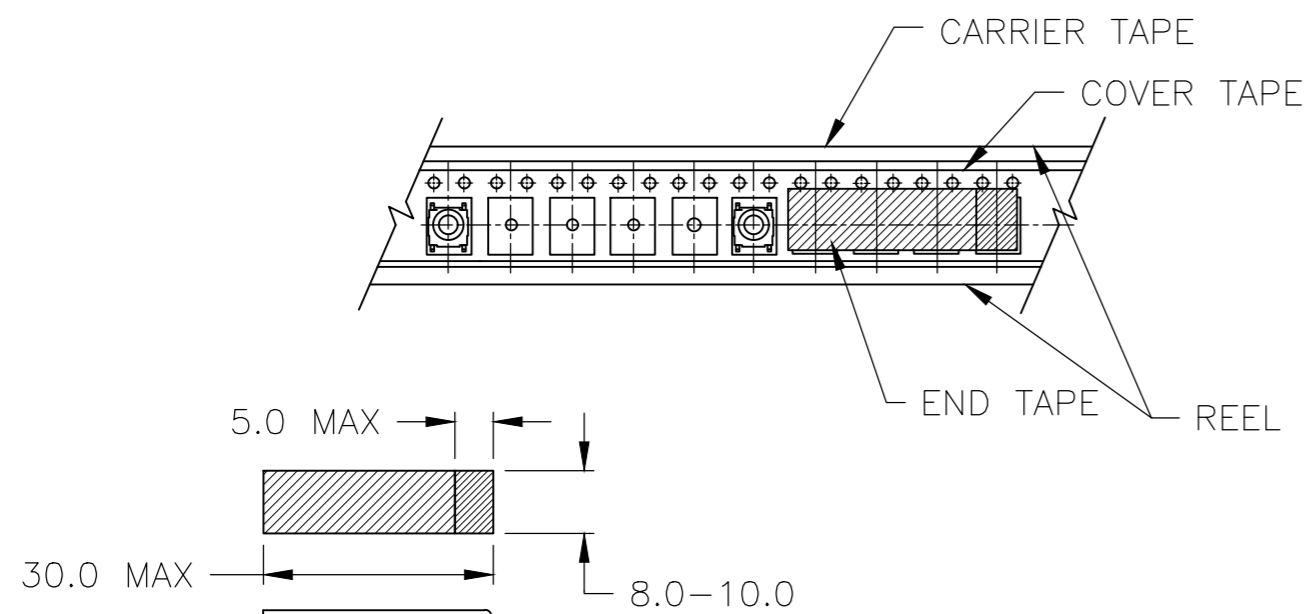
THE DIRECTION OF PILOT HOLES



THE DIRECTION OF PILOT HOLES



\*END TAPE\*



1 4.000 PCS SWITCHES PER 1 REEL

THIS DRAWING IS A CONTROLLED DOCUMENT.		DWN	M.BINNER	18MAR04	 TE Connectivity Ltd.
		CHK	M.SARVER	23MAR04	
		APVD	M.SARVER	23MAR04	
		PRODUCT SPEC			
DIMENSIONS: mm		TOLERANCES UNLESS OTHERWISE SPECIFIED:		NAME	
		0 PLC	± -	MICRO MINIATURE PUSHBUTTON SWITCH	
		1 PLC	± -	SIZE	
		2 PLC	± .20	CAGE CODE	
		3 PLC	± -	DRAWING NO	
		4 PLC	± -	RESTRICTED TO	
		ANGLES	± 1°	A2 00779	
MATERIAL		FINISH		C=8-1437565-0	
				SCALE 1:1 SHEET 2 OF 2 REV K	
				CUSTOMER DRAWING	