

PERFECT EMC-cable gland

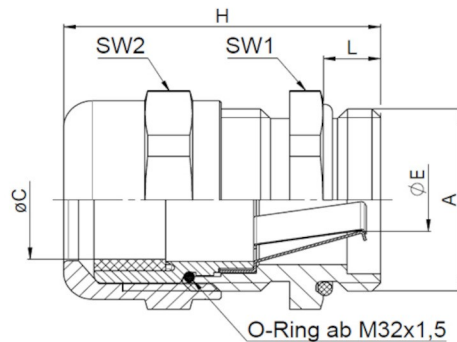
50.6xx M/EMVD

Dome nut	Brass CuZn39Pb3, nickel-plated
Lamellar insert	Polyamide PA6 V-2
Sealing ring	Polychloroprene-Nitrile rubber CR/NBR
Contact spring	Stainless steel
Gland body	Brass CuZn39Pb3, nickel-plated
O-ring	Nitrile rubber NBR
Connecting thread	metric, as per EN 60423




Properties

	<ul style="list-style-type: none"> for cables with shielding quick and easy EMV connection of the cable shield via the contacting spring with the gland body and the housing potential integrated anchorage wide sealing and clamping range
Temperature range	-20 °C / +100 °C (dynamic) -40 °C (static, short term)
Protection grade	IP68
Test standard	UL 514B
UL / CSA-File	E140310
Comment	details about test results - see annex




Features

Connecting thread standard length

A	ØC	ØE	L	SW1	SW2	H		Part No.
M16x1,5	5 - 9	2 - 8	5	17	17	30	100	50.616 M/EMVD
M20x1,5	9 - 13	3 - 11	6	22	22	33,5	100	50.620 M/EMVD
M25x1,5	11 - 16	8 - 14	7	27	27	36,5	50	50.625 M/EMVD
M32x1,5	14 - 20	10 - 19	8	34	34	38	25	50.632 M/EMVD
M40x1,5	19 - 27	15 - 25	8	43	43	41	10	50.640 M/EMVD
M50x1,5	24 - 35	22 - 33	9	55	55	49,5	5	50.650 M/EMVD
M63x1,5	32 - 42	31 - 40	10	65	65	52,5	5	50.663 M/EMVD

Connecting thread long

A	ØC	ØE	L	SW1	SW2	H	 VPE	Part No.
M16x1,5	5 - 9	2 - 8	10	17	17	35	100	50.616 M/EMVDL
M20x1,5	9 - 13	3 - 11	10	22	22	37,5	100	50.620 M/EMVDL
M25x1,5	11 - 16	8 - 14	11	27	27	40,5	50	50.625 M/EMVDL
M32x1,5	14 - 20	10 - 19	13	34	34	43	25	50.632 M/EMVDL
M40x1,5	19 - 27	15 - 25	13	43	43	46	10	50.640 M/EMVDL

*ØE = Diameter of the cable shield