

## PERFECT Fix cable gland

K341-1xxx-zz

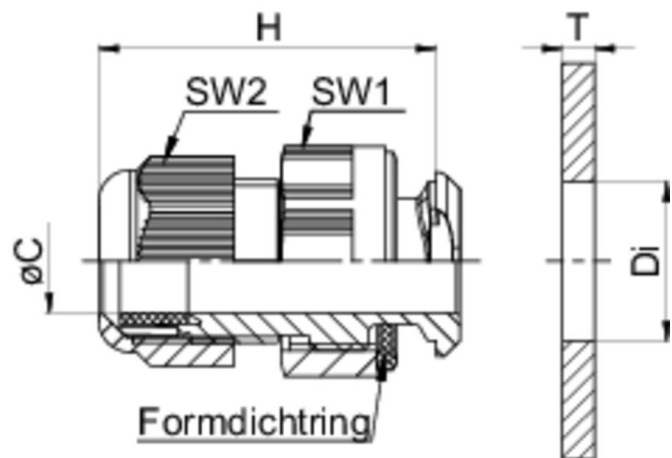
|                      |  |
|----------------------|--|
| Dome nut             | Polyamide PA6 V-2                              |
| Sealing ring         | Polychloroprene-Nitrile rubber CR/NBR          |
| Gland body           | Polyamide PA6 V-2                              |
| Locknut              | Polyamide PA6 GF30                             |
| Moulded sealing ring | Nitrile-Polytetrafluorethylene rubber NBR/PTFE |



### Properties

- quick and easy installation without special tools
- trouble-free mounting and dismounting from one side
- Locknut on the inner side dispensable
- advantageous for installation in areas with limited space
- Installation in clearance holes with dimensions according to EN 62444
- no inner thread required
- continuously adjustable in wall thickness from 1-4 mm
- integrated anchorage
- wide sealing and clamping range


|                   |                   |
|-------------------|-------------------|
| Temperature range | -20 °C<br>+100 °C |
| Protection grade  | IP68<br>5 bar     |




### Features

 RAL 9005

for clearance holes


| Size | Di          | Wall / T | ØC     | SW1 | SW2 | H    |  VPE | Part No.     |
|------|-------------|----------|--------|-----|-----|------|---|--------------|
| M16  | 16,1 - 16,3 | 1 - 4    | 5 - 10 | 24  | 20  | 38,5 | 100   | K341-1016-02 |
| M20  | 20,1 -      | 1 - 4    | 8 - 13 | 26  | 24  | 42,5 | 100   | K341-1020-02 |

| Size | Di          | Wall / T | ØC      | SW1 | SW2 | H    | <br>VPE | Part No.     |
|------|-------------|----------|---------|-----|-----|------|--|--------------|
|      | 20,4        |          |         |     |     |      |  |              |
| M25  | 25,1 - 25,4 | 1 - 2,5  | 11 - 17 | 32  | 29  | 48   | 50   | K341-1025-02 |
| M32  | 32,1 - 32,4 | 1 - 4    | 15 - 21 | 42  | 36  | 58,5 | 25   | K341-1032-02 |



RAL 7035


for clearance holes

| Size | Di          | Wall / T | ØC      | SW1 | SW2 | H    | <br>VPE | Part No.     |
|------|-------------|----------|---------|-----|-----|------|--|--------------|
| M16  | 16,1 - 16,3 | 1 - 4    | 5 - 10  | 24  | 20  | 38,5 | 100  | K341-1016-00 |
| M20  | 20,1 - 20,4 | 1 - 4    | 8 - 13  | 26  | 24  | 42,5 | 100  | K341-1020-00 |
| M25  | 25,1 - 25,4 | 1 - 2,5  | 11 - 17 | 32  | 29  | 48   | 50   | K341-1025-00 |
| M32  | 32,1 - 32,4 | 1 - 4    | 15 - 21 | 42  | 36  | 58,5 | 25   | K341-1032-00 |



RAL 7001

for clearance holes

| Size | Di          | Wall / T | ØC      | SW1 | SW2 | H    | <br>VPE | Part No.     |
|------|-------------|----------|---------|-----|-----|------|--|--------------|
| M16  | 16,1 - 16,3 | 1 - 4    | 5 - 10  | 24  | 20  | 38,5 | 100  | K341-1016-01 |
| M20  | 20,1 - 20,4 | 1 - 4    | 8 - 13  | 26  | 24  | 42,5 | 100  | K341-1020-01 |
| M25  | 25,1 - 25,4 | 1 - 2,5  | 11 - 17 | 32  | 29  | 48   | 50   | K341-1025-01 |
| M32  | 32,1 - 32,4 | 1 - 4    | 15 - 21 | 42  | 36  | 58,5 | 25   | K341-1032-01 |