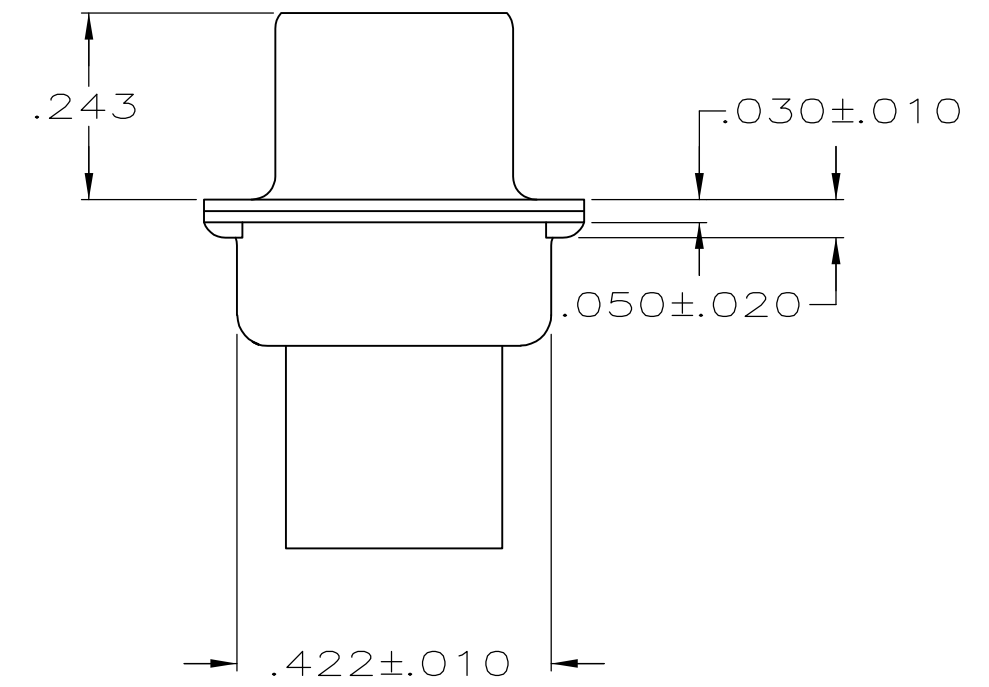
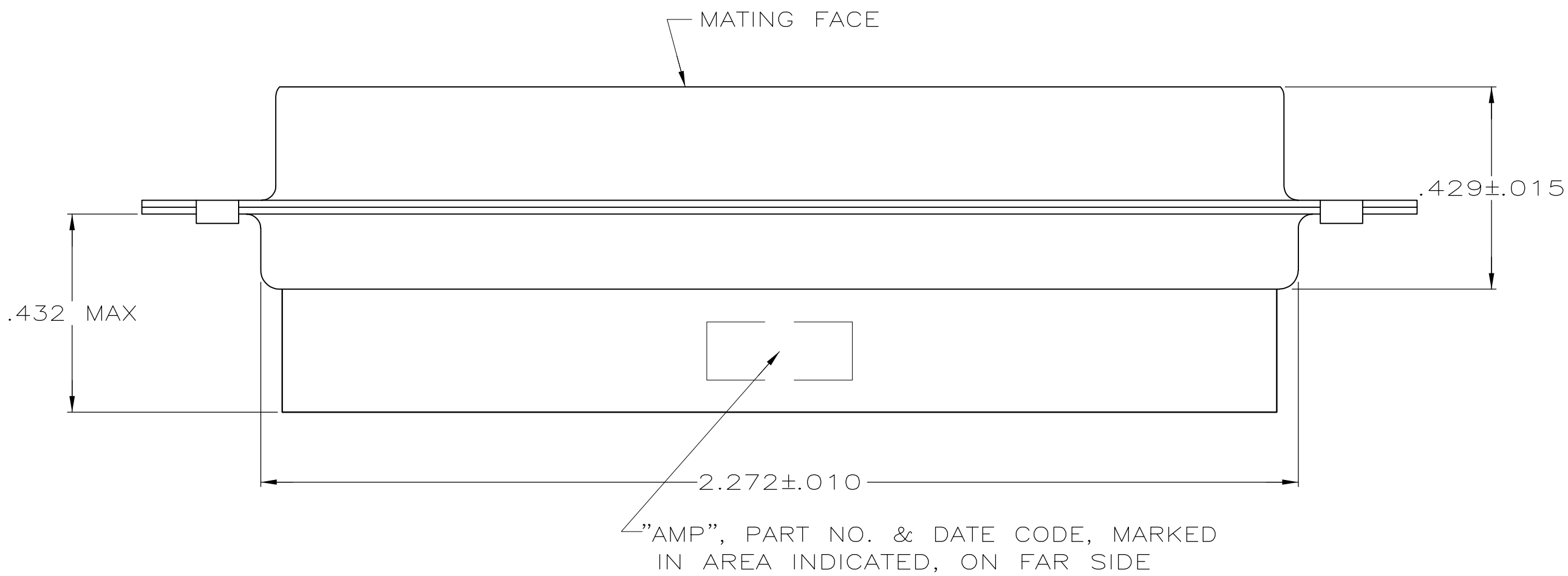
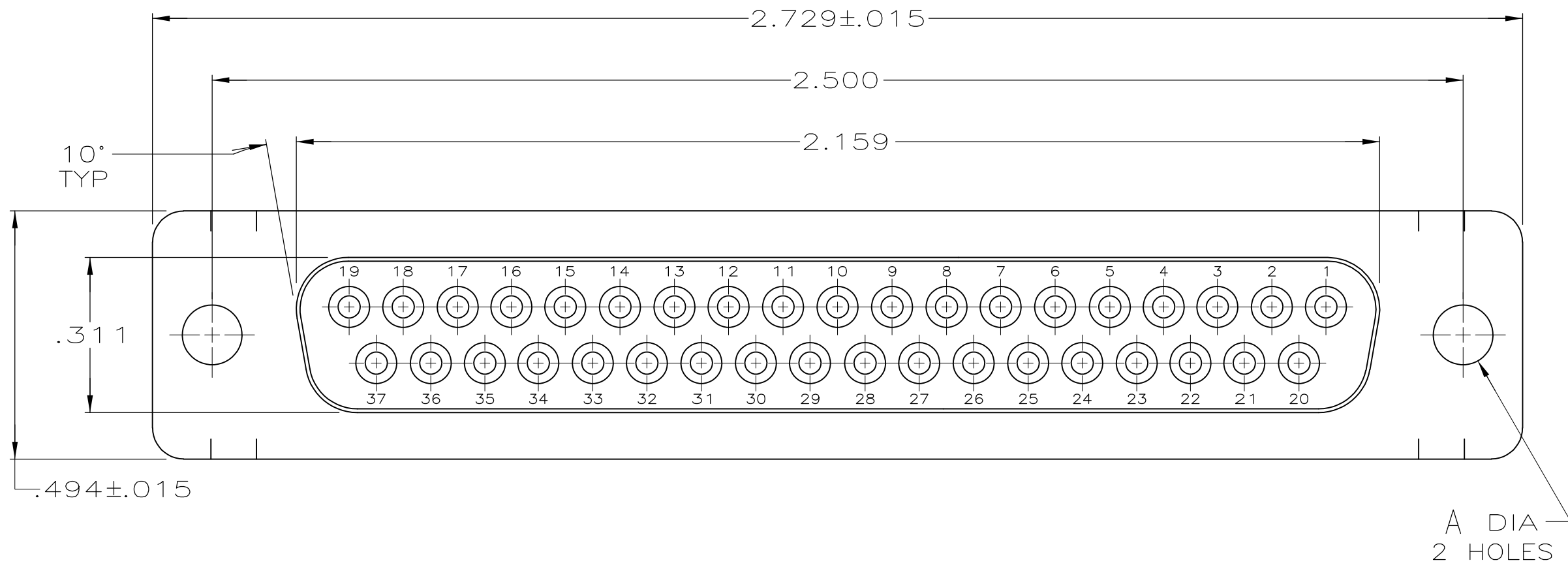


THIS DRAWING IS UNPUBLISHED. RELEASED FOR PUBLICATION  
 © COPYRIGHT BY TYCO ELECTRONICS CORPORATION. ALL RIGHTS RESERVED.

| LOC | DIST | REVISIONS   |                           |         |         |
|-----|------|-------------|---------------------------|---------|---------|
| P   | LTR  | DESCRIPTION | DATE                      | DWN     | APVD    |
| GP  | 00   | K1          | REVISED PER ECO-07-008164 | 27JUL07 | JDP CWR |



- CONNECTOR ACCEPTS SIZE 20 DF SOCKET CONTACTS, RETENTION TINES ARE AN INTEGRAL PART OF INSERT.
- CONNECTOR COMPLIES WITH 108-40005 WHERE APPLICABLE.
- NYLON, FLAME RETARDANT, 94V-0 RATED, GLASS FILLED, BLACK.
- STEEL PER ASTM A109.
- ZINC PLATED PER ASTM B633; TYPE II; CLASS SC1; YELLOW CHROMATE.
- TIN OR TIN-LEAD PLATED PER MIL-T-10727.
- TIN PLATED PER MIL-T-10727 OVER COPPER PER MIL-C-14550.
- ZINC PLATED .000200-.000400 THICK, YELLOW TRIVALENT CHROMIUM CHROMATE COATING.

| PACKAGING TYPE | SHELL FINISH | A    | PART NUMBER |
|----------------|--------------|------|-------------|
| STANDARD       | 8            | .120 | 205209-7    |
| SMALL PACK     | 5            | .120 | 205209-6    |
| STANDARD       | 6            | .154 | 205209-3    |
| STANDARD       | 7            | .120 | 205209-2    |
| STANDARD       | 5            | .120 | 205209-1    |

SUPERSEDED BY 205209-1  
 OBSOLETE  
 OBSOLETE

THIS DRAWING IS A CONTROLLED DOCUMENT.

|                    |  |                      |   |   |           |
|--------------------|--|----------------------|---|---|-----------|
| DIMENSIONS: INCHES | TOLERANCES UNLESS OTHERWISE SPECIFIED: | DWN S.WELDON 7-19-85 | CHK J.GERACE 7-29-85  | Tyco Electronics Corporation<br>Harrisburg, PA 17105-3608 |           |
| 0 PLC ± -          | 1 PLC ± -                              | APVD -               | NAME  | SIZE  | CAGE CODE |
| 2 PLC ± -          | 3 PLC ± .005                           | PRODUCT SPEC         | RECEPTACLE CONNECTOR, SIZE 4,<br>37 POSITION, AMPLIMITE HDP | A2  | 00779     |
| 4 PLC ± -          | ANGLES ± -                             | APPLICATION SPEC     | DRAWING NO  | SCALE   | SHEET     |
| MATERIAL SEE NOTES | FINISH SHELLS: SEE TABLE               | WEIGHT -             | C=205209  | 4:1   | 1 of 1    |
| CUSTOMER DRAWING   |  |                      | RESTRICTED TO   | REV   | K1        |