

OVERALL ASSEMBLY DIMENSIONS:

EXTERNAL - 100 x 50 x 40

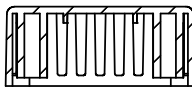
INTERNAL - 96.4 x 46.4 x 36.4

M3 CSK SCREW

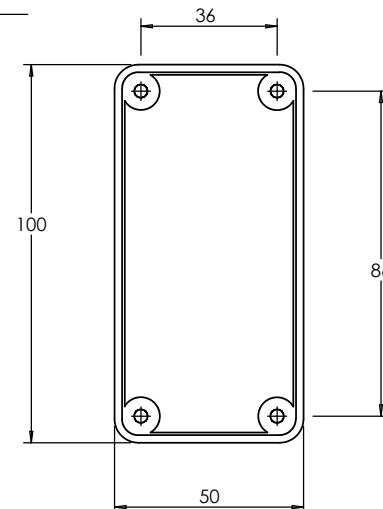
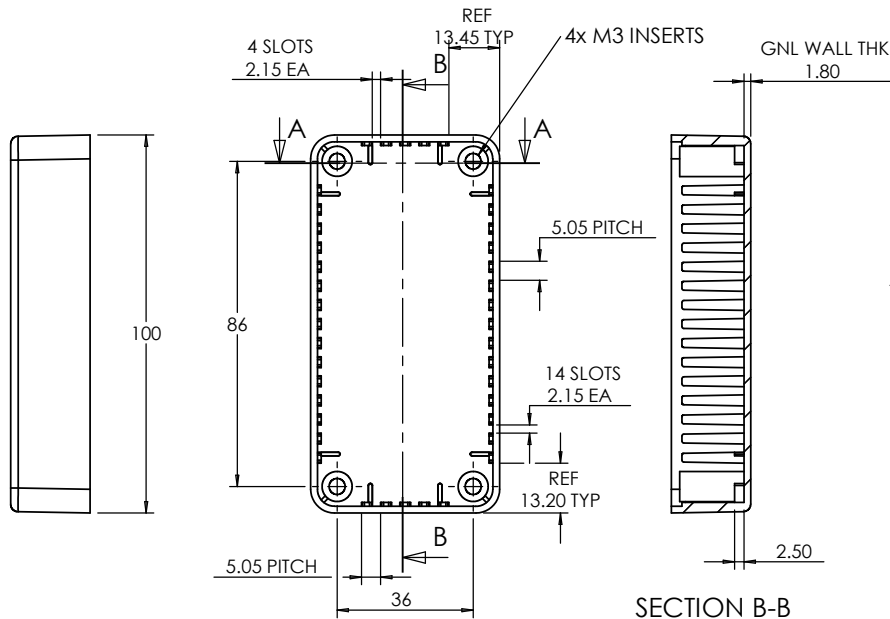
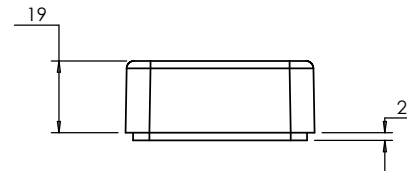
LID

BASE

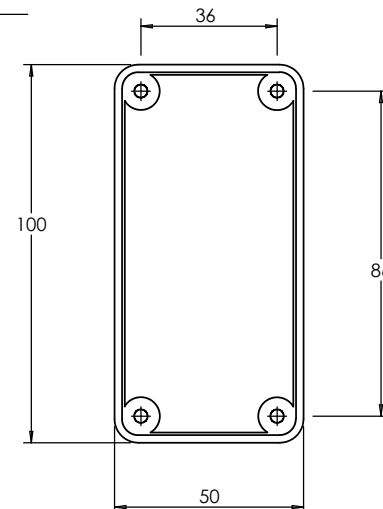
ISO VIEW



SECTION A-A

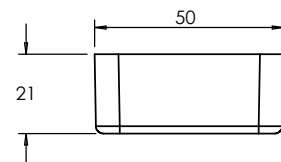


SECTION B-B



LID

BASE



		UNLESS OTHERWISE SPECIFIED: DIMENSIONS ARE IN MILLIMETERS		DO NOT SCALE DRAWING	REVISION. 0
		FINISH: <b>SMOOTH</b>		TITLE: <b>ASSEMBLY DRG FOR 2002/22</b>	
JAMES CARTER RD, MILDENHALL, SUFFOLK. IP28 7DE TEL: 01638 716101 FAX: 01638 716554 EMAIL: SALES@BOSS-ENCLOSURES.CO.UK WEB: www.BOSS-ENCLOSURES.CO.UK		MATERIAL: <b>ABS</b>	DWG NO. <b>2002,22</b>		<b>A4</b>
DRAWN S.HARDINGE	SIGNED SJH	DATE 03/10/05	PROJECTION. 	SCALE: 1 : 2	SHEET 1 OF 1