

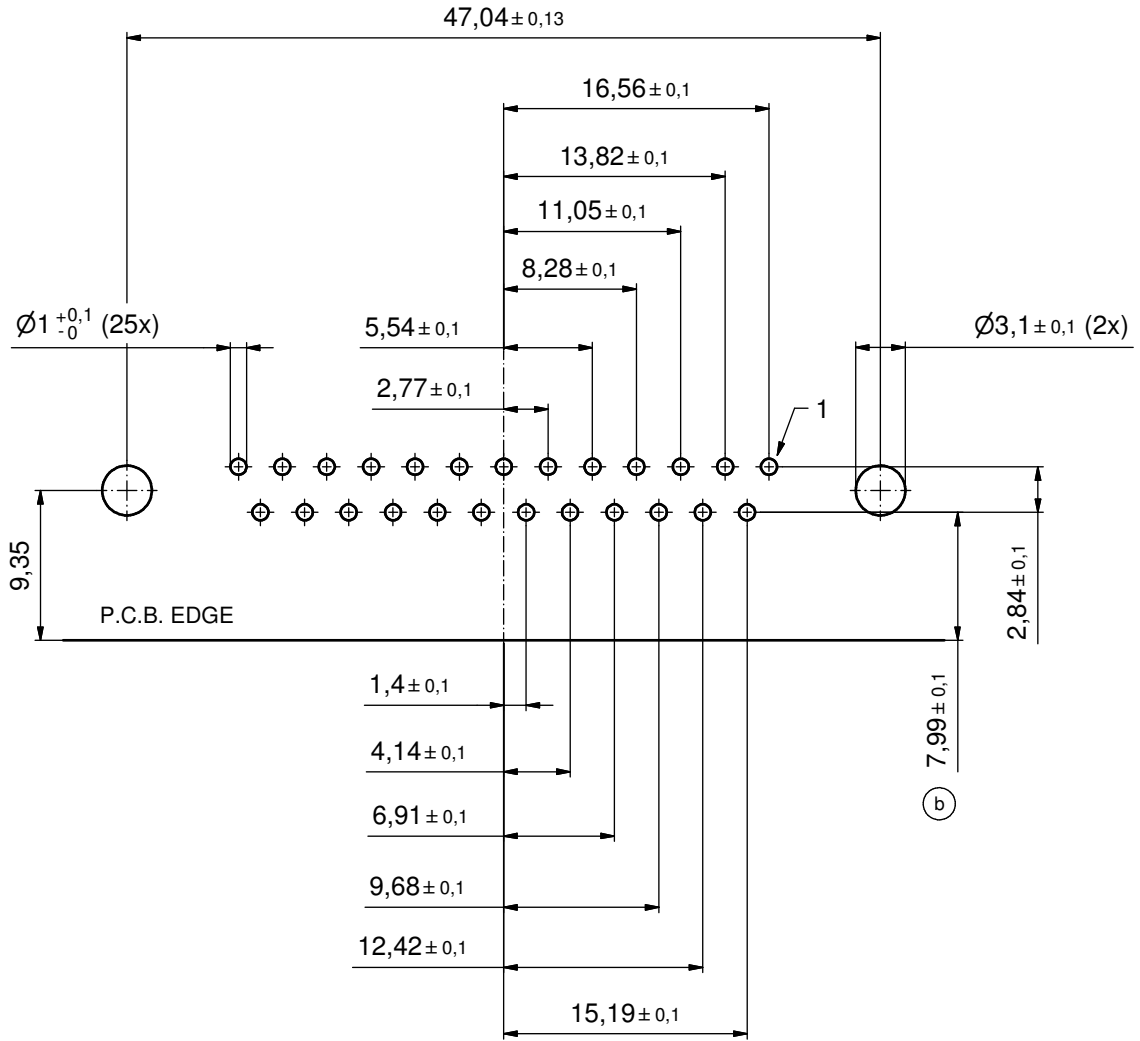
NOTES:

1. METALSHELLS: STEEL; min. 315µm TIN over 40-80µm NICKEL
2. INSULATORS: PBT GF UL 94 V-0, BLACK
3. SIGNAL CONTACTS: COPPER ALLOY; PLATING (SEE PART NO.):
 - PLEASE ADD A for GOLD FLASH over NICKEL (PREFERRED TYPE)
 - PLEASE ADD B for 20µm HARD GOLD over min. 50µm NICKEL
 - PLEASE ADD C for 30µm HARD GOLD over min. 50µm NICKEL
4. METAL BRACKETS: ZINC DIE CAST; 300µm COPPER/40-120µm NICKEL/120-200µm TIN
5. THREADED INSERTS: COPPER ALLOY; min. 200µm TIN over 80µm NICKEL
6. FIXING-PLATE: PBT GF UL 94 V-0, BLACK
7. P.C.B. HOLE DRILLINGS ON SHEET 2
8. MAXIMUM TORQUE VALUE FOR THREAD: 6 in.LB
9. CONNECTOR IS PART MARKED: 164□11539X CONEC ABC (see note 3)

Directive 2002/95/EC RoHS compliant

THIS DRAWING MAY NOT BE COPIED OR REPRODUCED IN ANY WAY, AND MAY NOT BE PASSED ON TO A THIRD PARTY WITHOUT WRITTEN PERMISSION. OWNERSHIP AND COPYRIGHT OF CONEC GmbH DO NOT ALTER CAD DRAWING BY HAND	tolerance		dim. in mm		scale: 2:1 (5:1)	
					material: SEE NOTES	
			date		title:	
			name		D-SUB FEMALE 90° 25pos.SOLDER PIN ANGLED 0.318inch metal bracket, threaded insert, fixing-plate	
			drawn 05.07.13 Henneboel			
		appd. 0.07.13 Fischer				
		norm		dwg no:		
		d-old 16K1A653/16K2A653		DIN-A3 sh: 1/2		
8 x b	A4827	05.07.2013	K.H.			(b) 16K1A3276
a	Original					part no: (b) 164□11539X (see note 3)

P.C.B. HOLE DRILLINGS
(P.C.B. TOP SIDE)



THIS DRAWING MAY NOT BE COPIED OR REPRODUCED IN ANY WAY, AND MAY NOT BE PASSED ON TO A THIRD PARTY WITHOUT WRITTEN PERMISSION. OWNERSHIP AND COPYRIGHT OF CONEC GmbH DO NOT ALTER CAD DRAWING BY HAND					tolerance	dim. in mm	scale:	3:1		
					date		name	material:	SEE SHEET 1	
					drawn	05.07.13	Henneboel	title: P.C.B. HOLE DRILLINGS D-SUB FEMALE 90° 25pos. 0.318inch threaded insert, metal bracket, fixing plate		
					appd.	05.07.13	Fischer			
					norm					
					d-old	16K1IUUA		dwg no:	DIN-A3	
	1 x b	A4827	05.07.2013	K.H.					16K1A3276	sh: 2/2
	a	Original							part no:	SEE SHEET 1
	rev.	description	date	name						