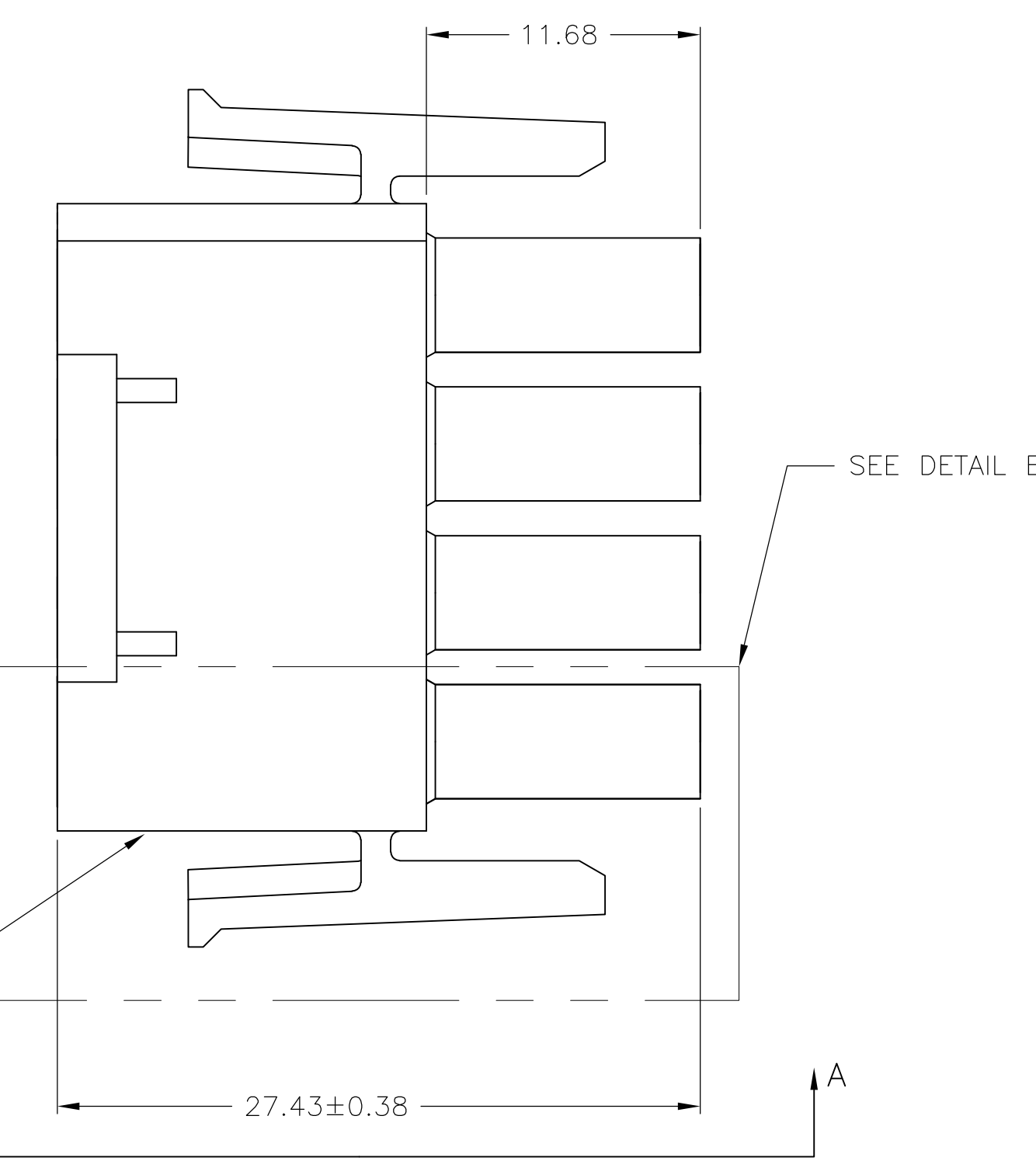
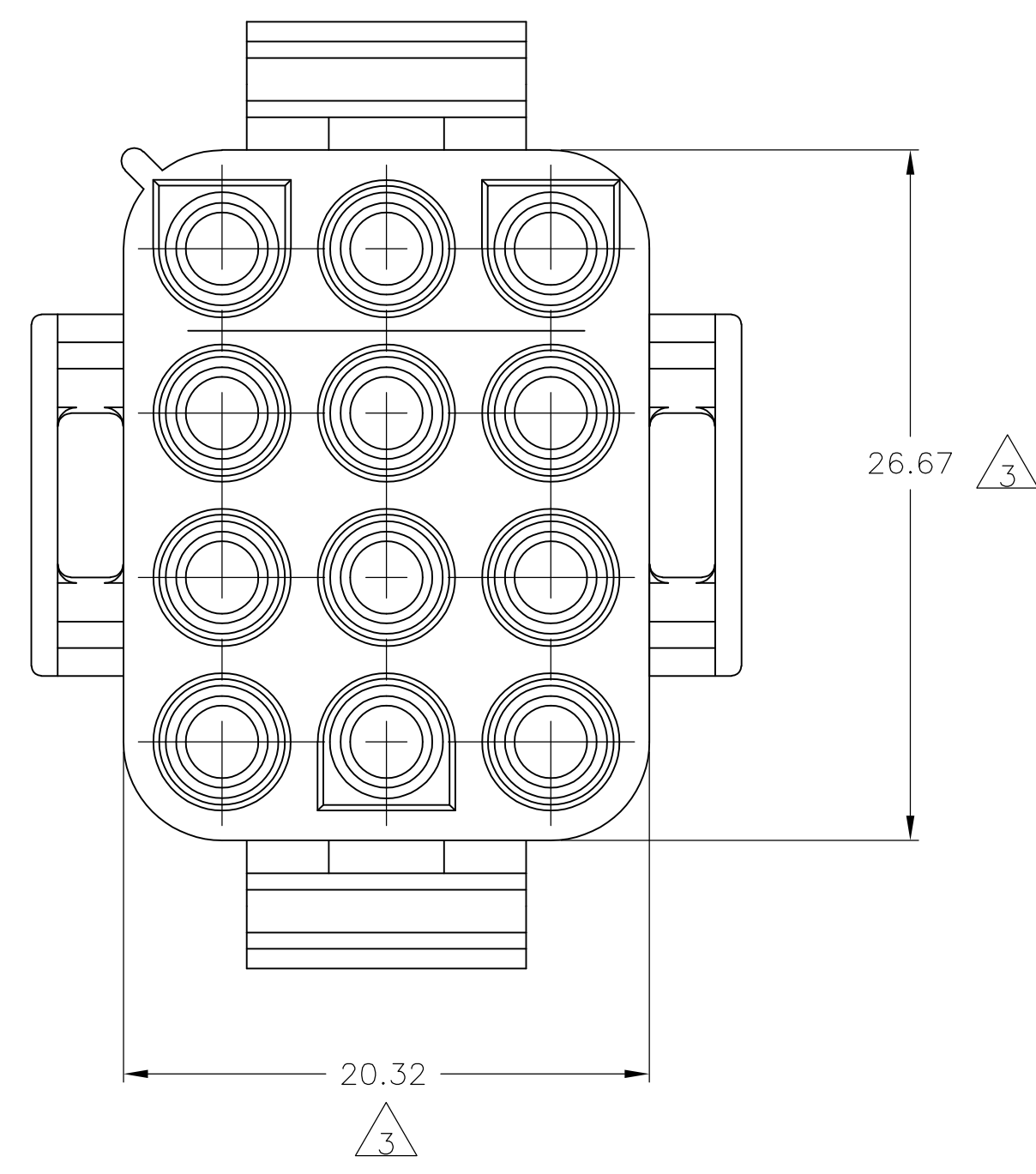


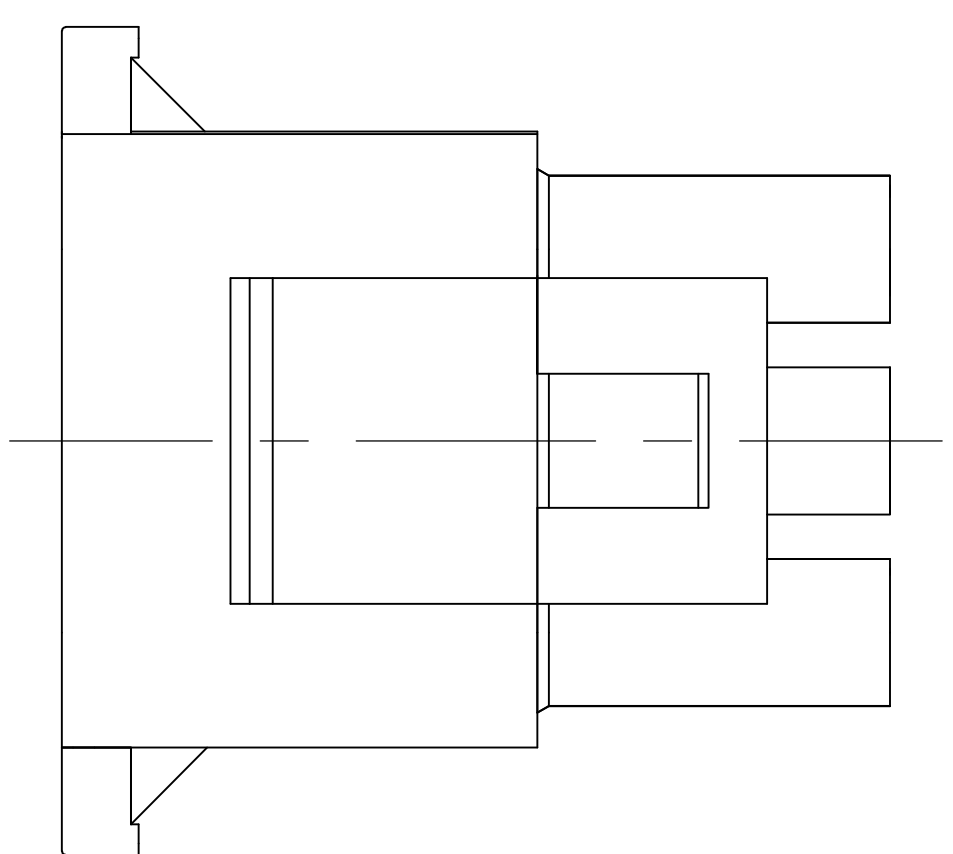
SEE DETAIL A



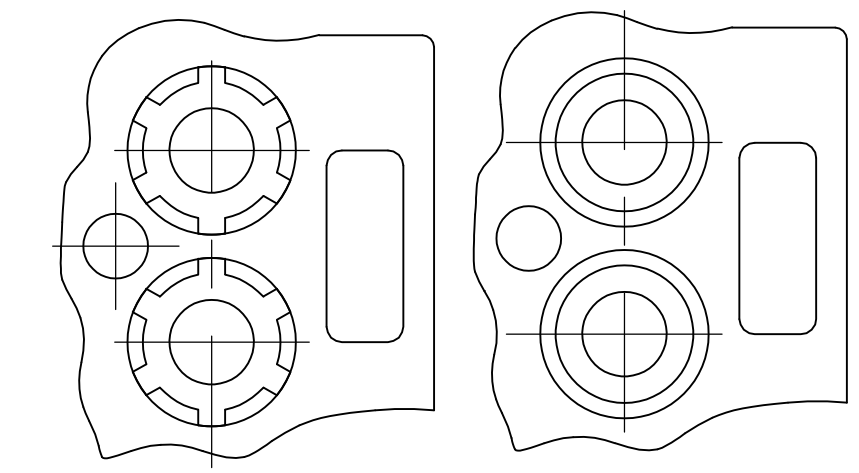
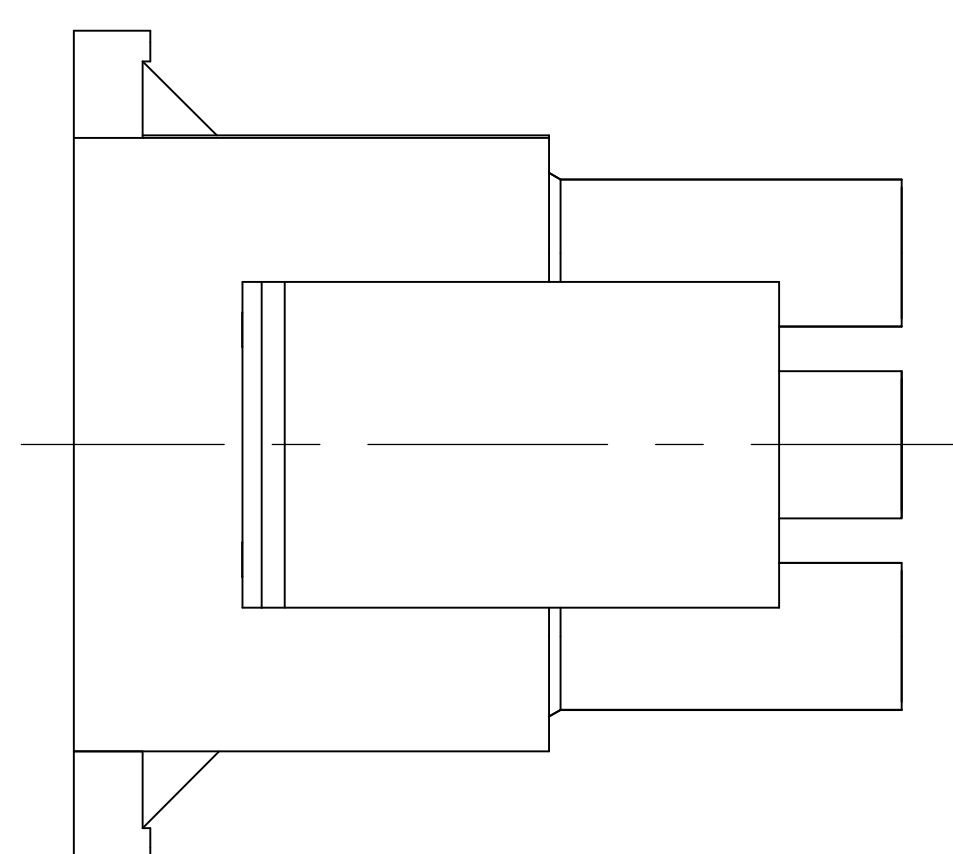
SEE DETAIL B



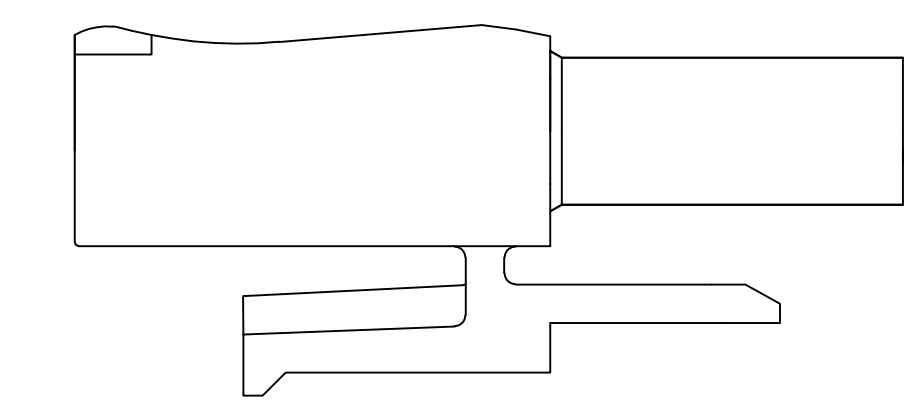
- MATES WITH APPROPRIATE UNIVERSAL MATE-N-LOK™ CAP OR HEADER.
  - SMALL NICKS ARE PERMITTED ON THE CIRCUIT TOWERS WHICH COULD INCREASE THE INITIAL HOUSING MATING FORCE BY UP TO 4.4 NEWTONS [1.0] LBS. NO INDIVIDUAL NICKED TOWER SHALL INCREASE THIS FORCE BY OVER 2.2 NEWTONS [.5] LBS.
- △3 DIMENSION INDICATED IS AS MOLDED. ADDITIONAL GROWTH DUE TO SUBSEQUENT MOISTURE ABSORPTION MAY OCCUR.
- △4 FOUR RIBS EQUALLY SPACED, NO SPECIFIC ORIENTATION, NO RIBS OR SIX RIBS EQUALLY SPACED, NO SPECIFIC ORIENTATION, OPTIONAL.
- △5 NOT MANUFACTURED IN U.S.
- △6 UNDERWRITERS RECOGNIZED COMPONENT LOGO AND CSA CERTIFICATION LOGO TO BE LOCATED ONCE ON EACH SIDE OF HOUSING.



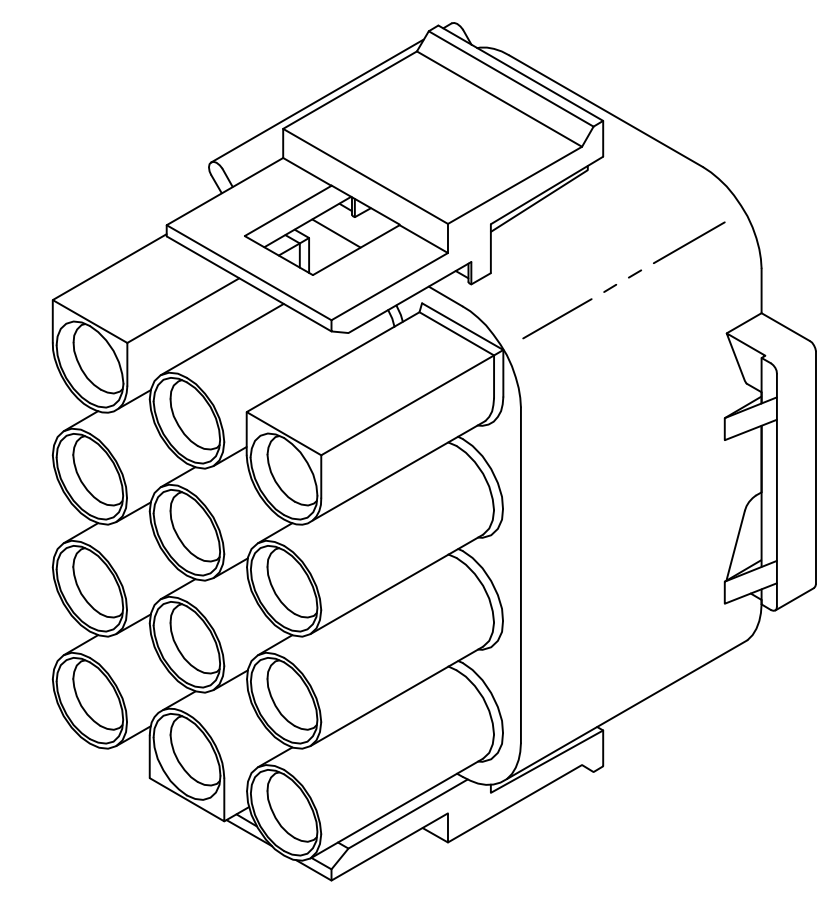
VIEW A-A  
350735-4 ONLY



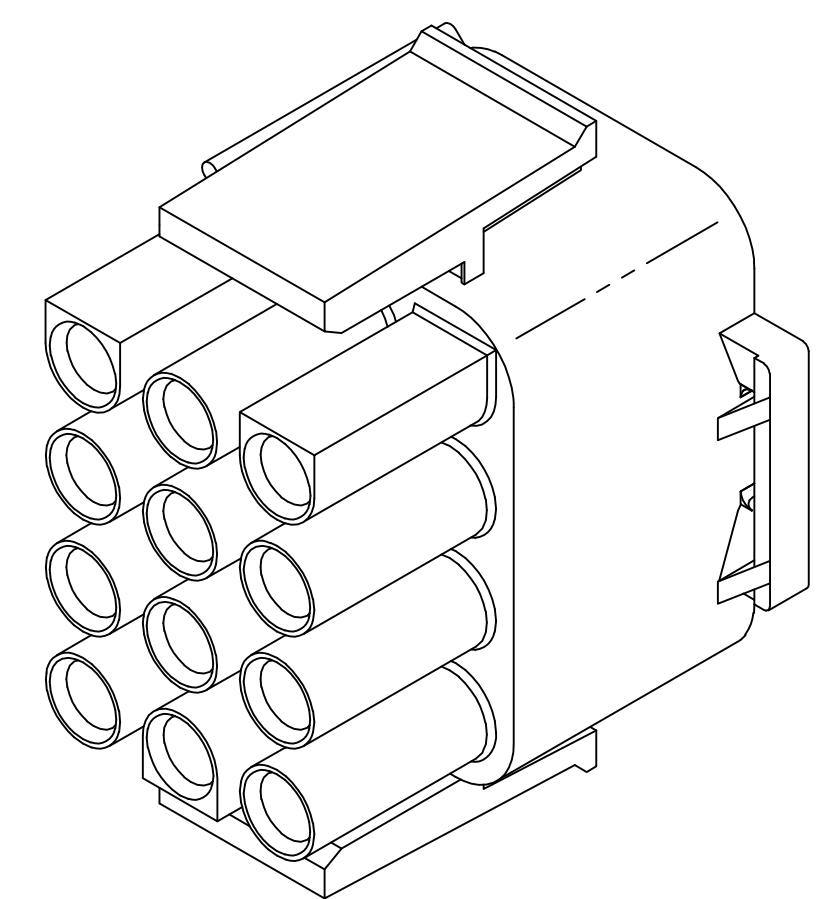
DETAIL A  
OPTIONAL CONSTRUCTION



DETAIL B  
350735-4 ONLY



350735-4 3-DIMENSIONAL MODEL  
NOT TO SCALE



3-DIMENSIONAL MODEL  
NOT TO SCALE

27.43	1.080
26.67	1.050
20.32	.800
11.68	.460
0.38	.015
0.13	.005
MM	IN

CONVERSION TABLE

AMP 4805 REV 31MAR2000

BLACK	1-350735-9
GRAY	1-350735-8
BLUE	1-350735-6
GREEN	1-350735-5
YELLOW	1-350735-4
ORANGE	1-350735-3
RED	1-350735-2
BROWN	1-350735-1
SUPERCEDED BY 1-350735-2	
△5	350735-4
NATURAL	350735-1
COLOR	PART NUMBER

METRIC

THIS DRAWING IS A CONTROLLED DOCUMENT.

DIMENSIONS:	TOLERANCES UNLESS OTHERWISE SPECIFIED:	DRN	K. WHITAKER	23FEB06	Tyco Electronics Corporation Harrisburg, PA 17105-3608			
mm		CHK	S. RIDGILL	23FEB06				
	0. PLC ± -	APPRO	S. RIDGILL	23FEB06	NAME PLUG, 12 CIRCUIT, UNIVERSAL MATE-N-LOK(TM)			
	1. PLC ± -	PRODUCT SPEC						
	2. PLC ± 0.13	APPLICATION SPEC			SIZE	CAGE CODE	DRAWING NO	RESTRICTED TO
	3. PLC ± -				A1	00779	350735	
	4. PLC ± -				WEIGHT			
	ANGLES ± '30'				CUSTOMER DRAWING			
MATERIAL	NYLON,UL 94V-0	FINISH			SCALE	4:1	SHEET	1 of 1