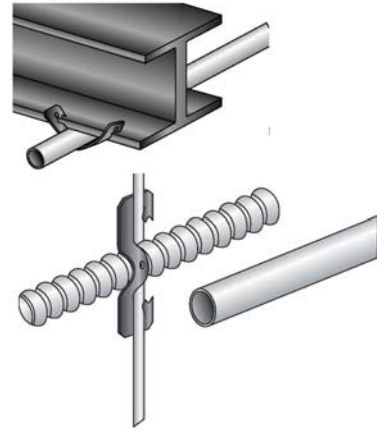


Part Number: PK20

Product Description: CONDUIT CLIP TO SUPPORT 1-1/4" CONDUIT FROM DROP WIRE OR FLANGE



### Material Specifications

Type: High Carbon Steel, Spring Tempered

Finish: Zinc Phosphate and Oil

Color: Black

### Function Specifications

#### Compatible Wires and Cables

AC/MC CABLE (OD): See current catalog for installation configurations

Drop Wire: See current catalog for installation configurations

Plain Rod (in): 1/4

#### Threaded Rods and Bolts

Tapped Holes:

Clearance Holes (in):

Threaded Rod Size (in):

#### Compatible Conduit

EMT Size (in): 1-1/4

Rigid/IMC (in): 1

#### Compatible Flanges and Studs

Flange Size (in): Up to 1/4

Metal Stud Size (ins):

#### Static Load Rating

Vertical (lbs): Positioning Only

Horizontal (lbs): Positioning Only

#### Other

### Codes and Regulatory

Regulatory Certifications: -

Country of Origin: US

### Packaging

General Packaging: Cardboard Box

Box Size: 8.25 X 6.25 X 6

Pieces per Package: 100

Other Box Features:

### Document Information

Created By: DBLA

Checked By: DJW

Approved By: KLN

Customer Specification #: C11223

Revision Level: 01

ECN #: GAECN01482

Date: 12/10/2013