

# PSE Technology Corporation

## SPECIFICATION FOR APPROVAL

CUSTOMER \_\_\_\_\_

NOMINAL FREQUENCY 156.250000 MHz

PRODUCT TYPE TYPE UX 7.0x5.0 SEAM SEALED CRYSTAL CLOCK OSCILLATOR

SPEC. NO. ( P/N ) UX73F62003

CUSTOMER P/N \_\_\_\_\_

ISSUE DATE February 24, 2016

VERSION 01

| APPROVED                                       | PREPARED     | QA               |
|--|--------------|------------------|
| <i>Brenda</i>                                  | <i>Clair</i> | <i>Song Yang</i> |
| APPROVED BY CUSTOMER :                         |              | AVL Status       |
| Please return one copy with approval to PSE-TW |              |                  |

### PSE Technology Corporation

No.2, Tzu-Chiang 5th Rd, Chung Li Industrial Park,  
 Chung Li City, Taoyuan County, Taiwan (R.O.C.)  
 TEL: 886-3-451-8888  
 FAX: 886-3-461-3865  
<http://www.saronix-ecera.com.tw>

- \*Pb-free
- \*RoHS Compliant
- \*HF-Halogen Free
- \*REACH Compliant

\*\*\* A company of  PERICOM Semiconductor Corporation \*\*\*



# TYPE UX 7.0x5.0 SEAM SEALED CRYSTAL CLOCK OSCILLATOR

## UX73F62003

VER. 01 24-Feb-16

### ELECTRICAL SPECIFICATIONS

SRe Part Number : UX73F62003

| Item                            | Symbol                         | Specifications  | Units | Notes                                    |
|---------------------------------|--------------------------------|-----------------|-------|--|
| Nominal Frequency               | F <sub>o</sub>                 | 156.250000      | MHz   |  |
| Frequency Stability             | FT                             | ± 50            | ppm   | **See note                               |
| Operating Temperature Range     | TR                             | -40 to +85      | °C    |  |
| Supply Voltage                  | V <sub>CC</sub>                | +3.3 ± 5.0%     | V     |  |
| Logic Type                      | LT                             | LVDS            |       |  |
| Supply Current, Output Enabled  | I <sub>CC/OE</sub>             | 75              | mA    | Max.                                     |
| Supply Current, Output Disabled | I <sub>CC/OD</sub>             | 30              | uA    | Max.                                     |
| Duty Cycle (Symmetry)           | DC/SY                          | 45 / 55         | %     | Measured 50% of Waveform                 |
| Rise / Fall Time                | T <sub>R</sub> /T <sub>F</sub> | 850             | ps    | Max. measured 20/80% of Waveform         |
| Output Voltage "0" Level        | V <sub>OL</sub>                | 1.10 / 0.9      | V     | Typ. / Min.                              |
| Output Voltage "1" Level        | V <sub>OH</sub>                | 1.43 / 1.6      | V     | Typ. / Max.                              |
| Output Load                     |                                | 100Ω & 5pF LVDS |       |  |
| Jitter, Phase                   | RMS                            | 0.10 / 0.16     | ps    | Typ. / Max. 12KHz ~ 20MHz Frequency Band |
| Jitter, Accumulated             | RMS(1-σ)                       | 7               | ps    | Typ. 20,000 Consecutive Periods          |
| Jitter, Peak to Peak            | Pk-Pk                          | 40              | ps    | Max. 100,000 Random Periods              |
| Start Up Time                   |                                | 10              | ms    | Max.                                     |
| Storage Temperature Range       |                                | -55 to +125     | °C    |  |

※ This product doesn't include harmful substance that stipulated by SONY SS-00259 Level 1 and S-AT2-001 Level 1 standard. RoHS Compliant (Pb - Free).

\*\*Stability includes all combinations of Operating Temperature, Load changes, rated Input (Supply) Voltage changes, Initial Calibration Tolerance (25°C), Aging (1 year at 25°C Average Effective Ambient Temperature), Shock and Vibration.

#### Output Enable / Disable Function

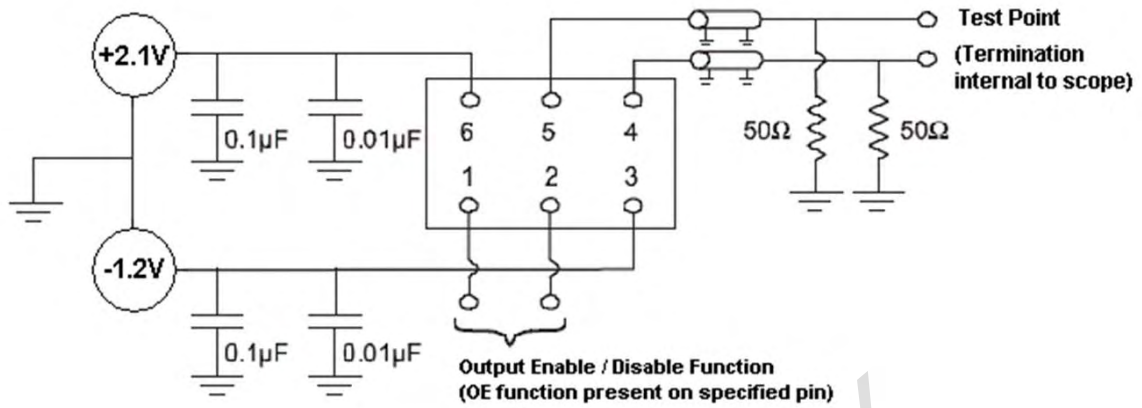
| Parameter  | Min.               | Typ. | Max.               | Units | Notes          |
|--|--------------------|------|--------------------|-------|----------------|
| Input Voltage (Pin1), Output Enable                      | 0.7V <sub>CC</sub> |      |                    | V     | Or Open        |
| Input Voltage (Pin1), Output Disable (low power standby) |                    |      | 0.3V <sub>CC</sub> | V     | Output is Hi-Z |
| Internal Pullup Resistance                               | 30                 |      |                    | KΩ    |                |
| Output Disable Delay                                     |                    |      | 200                | ns    |                |

# TYPE UX 7.0x5.0 SEAM SEALED CRYSTAL CLOCK OSCILLATOR

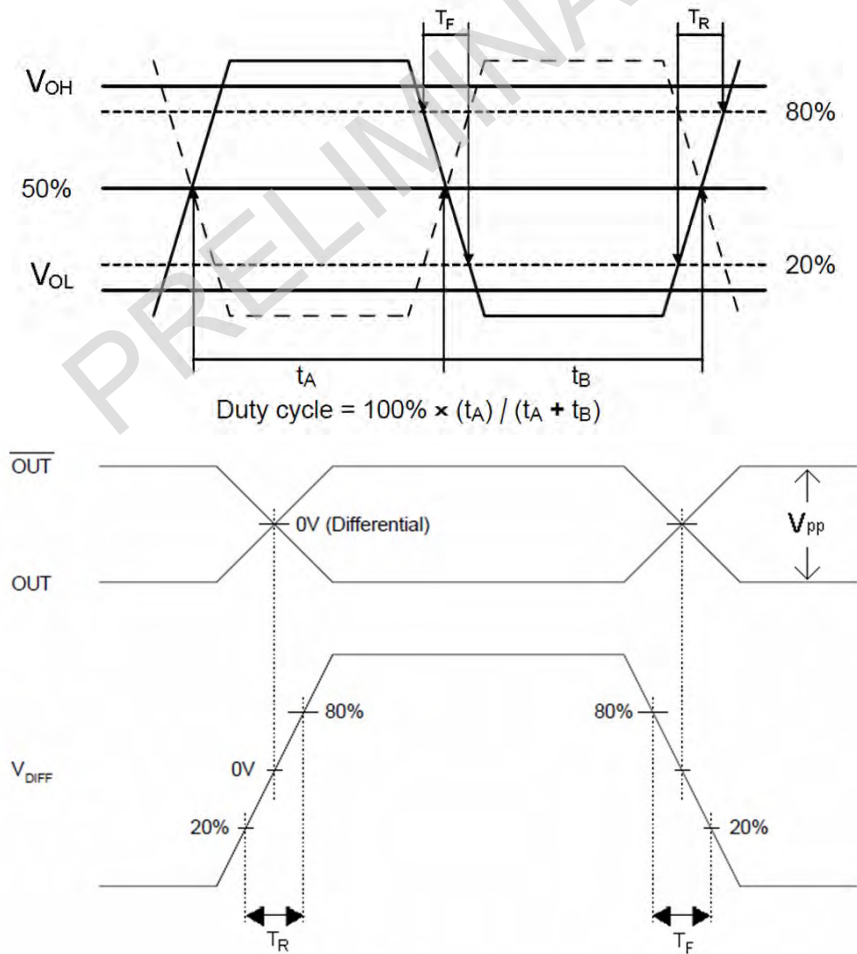
## UX73F62003

VER. 01 24-Feb-16

### TEST CIRCUIT



### OUTPUT WAVEFORM



# TYPE UX 7.0x5.0 SEAM SEALED CRYSTAL CLOCK OSCILLATOR

**UX73F62003**

VER. 01 24-Feb-16

## RELIABILITY SPECIFICATIONS

### ENVIRONMENTAL:

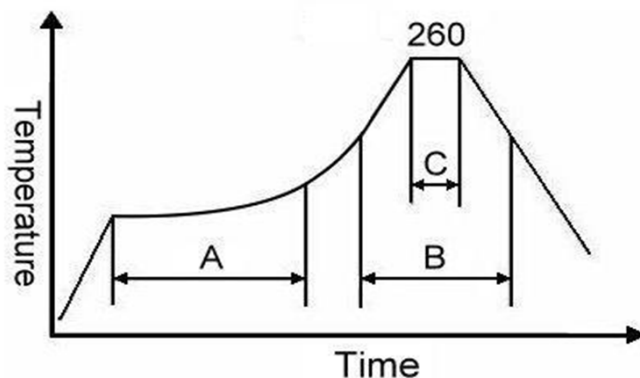
- a) THERMAL SHOCK: MIL-STD-883, Method 1011, Condition A
- b) MOISTURE RESISTANCE: MIL-STD-883, Method 1004
- c) VIBRATION: MIL-STD-883, Method 2007, Condition A
- d) RESISTANCE TO SOLDERING HEAT: J-STD-020D Table 5-2 Pb-free devices (except 2 cycles max)
- e) HAZARDOUS SUBSTANCE: Pb - free and RoHS/ Green Compliant.

### MECHANICAL:

- a) SHOCK: MIL-STD-883, Method 2002, Condition B
- b) SOLDERABILITY: JESD22-B102-D Method 2 (Preconditioning E)
- c) TERMINAL STRENGTH: MIL-STD-883, Method 2004, Test Condition D
- d) GROSS LEAK: MIL-STD-883, Method 1014, Condition C
- e) FINE LEAK: MIL-STD-883, Method 1014, Condition A2,  $R1=2 \times 10^{-8}$  atm cc/s
- f) SOLVENT RESISTANCE: MIL-STD-202, Method 215

## SUGGESTED IR REFLOW PROFILE

\*As per IPC-JEDEC J-STD-020D



Note:

|   | Stage        | Temperature | Time       |
|---|--------------|-------------|------------|
| A | Preheat      | 150~200°C   | 60~120 Sec |
| B | Primary Heat | 217°C       | 60~150 Sec |
| C | Peak         | 260°C       | 10 Sec     |

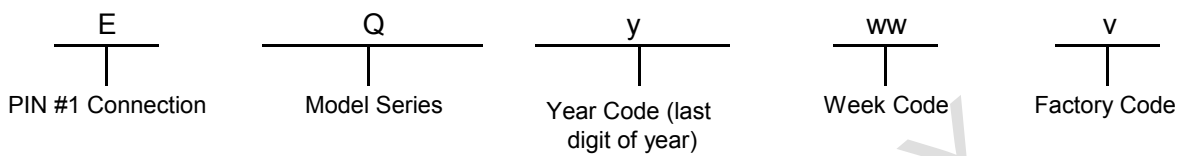
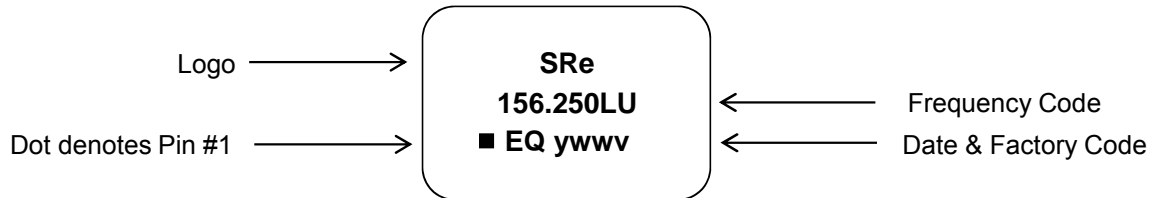
For soldering reflow profile and reliability test ratings go to: <http://www.pericom.com/pdf/sre/reflow.pdf>

# TYPE UX 7.0x5.0 SEAM SEALED CRYSTAL CLOCK OSCILLATOR

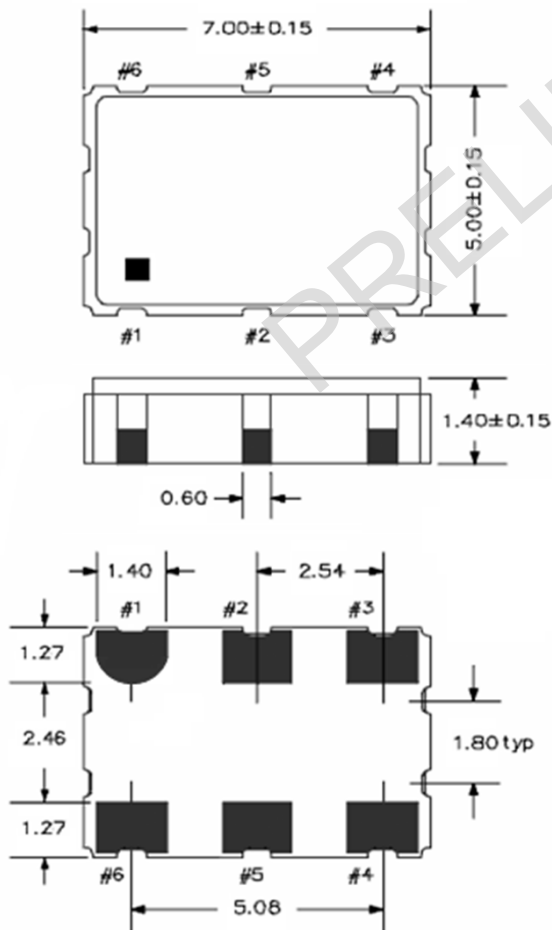
**UX73F62003**

VER. 01 24-Feb-16

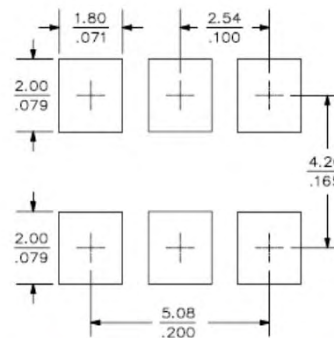
## MARKING



## MECHANICAL DRAWINGS ( Scale: None. Dimensions are in mm.)



### Recommended Land Pattern\*



\*External high-frequency power decoupling is recommended. (see test circuit for minimum recommendation). To ensure optimal performance, do not route traces beneath the package.

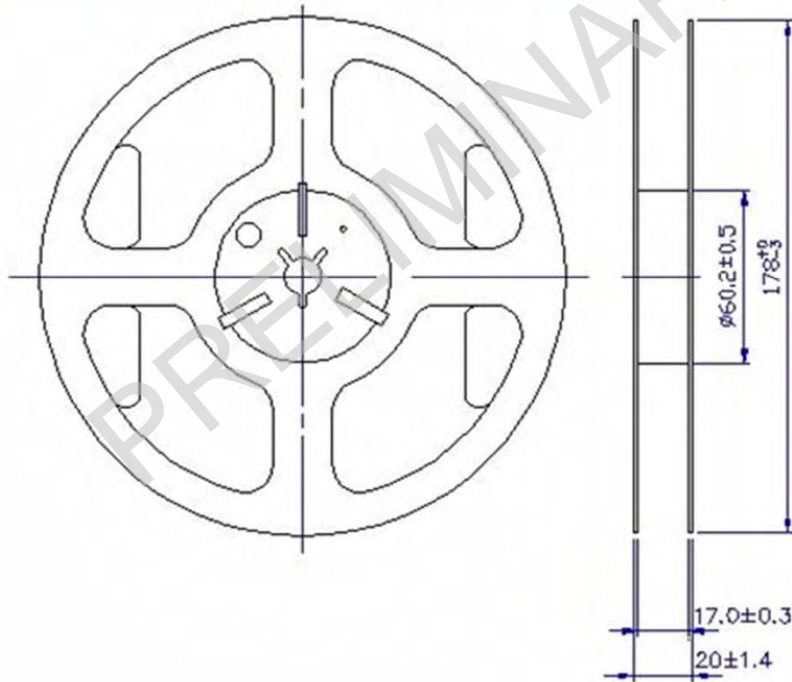
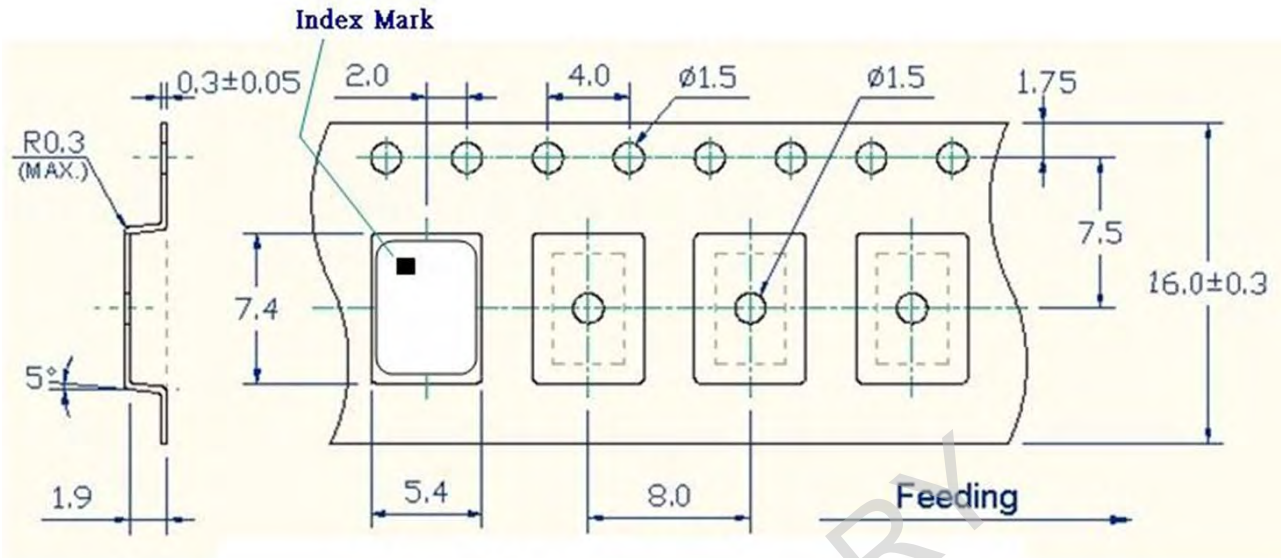
| Pin | Function        |
|-----|-----------------|
| 1   | EN              |
| 2   | NC              |
| 3   | V <sub>EE</sub> |
| 4   | OUTPUT          |
| 5   | OUTPUT N        |
| 6   | V <sub>CC</sub> |

# TYPE UX 7.0x5.0 SEAM SEALED CRYSTAL CLOCK OSCILLATOR

**UX73F62003**

VER. 01 24-Feb-16

## TAPE & REEL



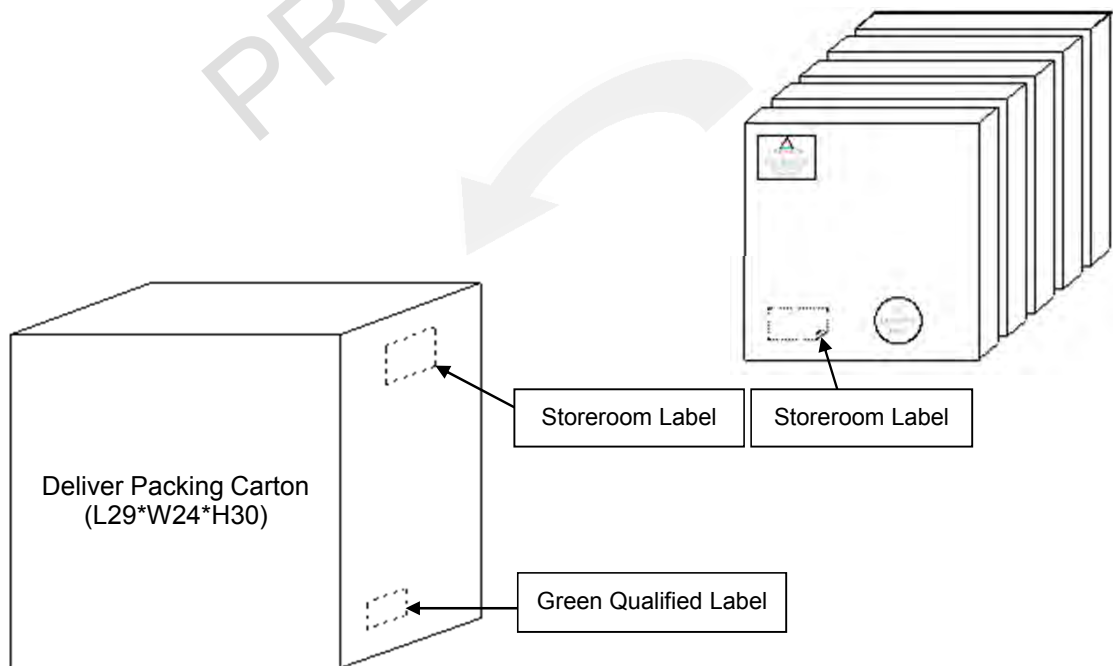
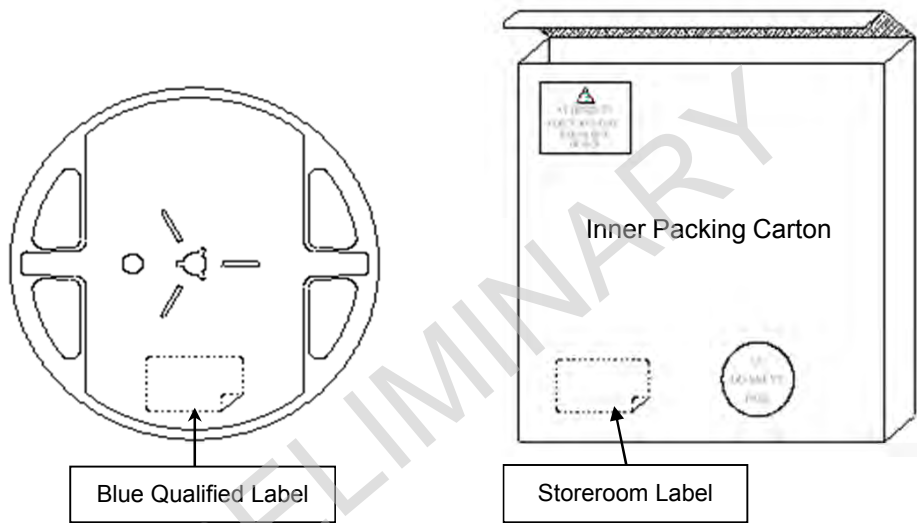
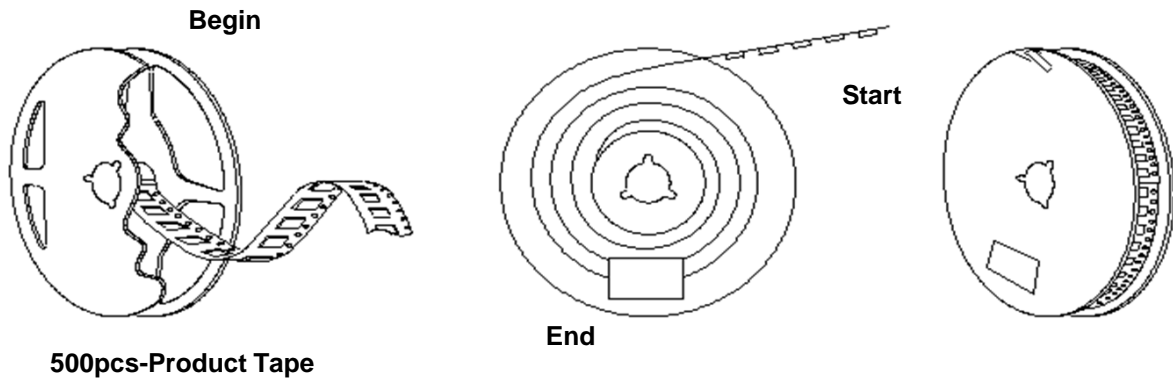
1. 230mm minimum leafer which consist of carrier and/or tape followed by a minimum of 160mm of empty carrier tape sealed with cover tape.
2. 160mm minimum trailer of empty carrier tape sealed with cover tape.

# TYPE UX 7.0x5.0 SEAM SEALED CRYSTAL CLOCK OSCILLATOR

## UX73F62003

VER. 01 24-Feb-16

### PACKING





# Mouser Electronics

Authorized Distributor

Click to View Pricing, Inventory, Delivery & Lifecycle Information:

[Diodes Incorporated:](#)

[UX73F62003](#)