

**4-Bit Bi-directional Level Shifter for open-drain and Push-Pull Application**

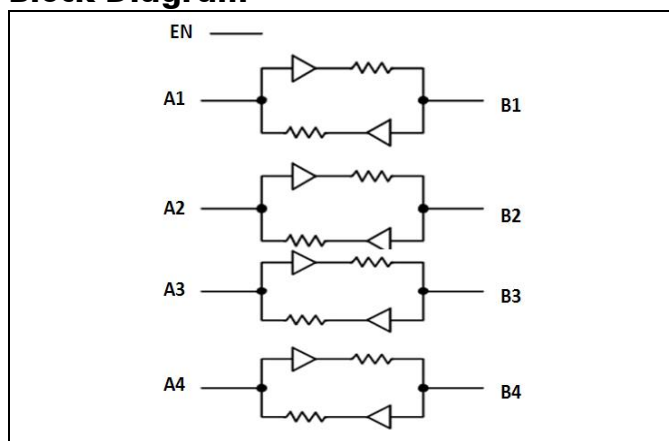
**Features**

- $V_{CCA}$  can be less than, greater than or equal to  $V_{CCB}$
- 1.1V to 3.6V on A Port and 1.1V to 3.6V on B Port
- High-Speed with 24 Mb/s Data Rate for push-pull application
- High-Speed with 2 Mb/s Data Rate for open-drain application
- No Direction-Control Signal Needed
- Low Bit-to-Bit Skew
- Non-preferential Power-up Sequencing
- ESD protection exceeds 8000V HBM per JESD22-A114
- Integrated 10 kΩ Pull-up Resistors
- Totally Lead-Free & Fully RoHS Compliant (Notes 1 & 2)
- Halogen and Antimony Free. "Green" Device (Note 3)
- For automotive applications requiring specific change control (i.e. parts qualified to AEC-Q100/101/200, PPAP capable, and manufactured in IATF 16949 certified facilities), please [contact us](https://www.diodes.com/contact-us) or your local Diodes representative.
- <https://www.diodes.com/quality/product-definitions/>
- Packaging (Pb-free & Green):
  - 14-pin, TSSOP (L)
  - 14-pin, 3.5x3.5 mm TQFN (ZB)
  - 12-pin, CSP (GA)

**Applications**

- I2C, SMBus, MDIO
- Low Voltage ASIC Level Translation
- Mobile Phones, PDAs, Camera

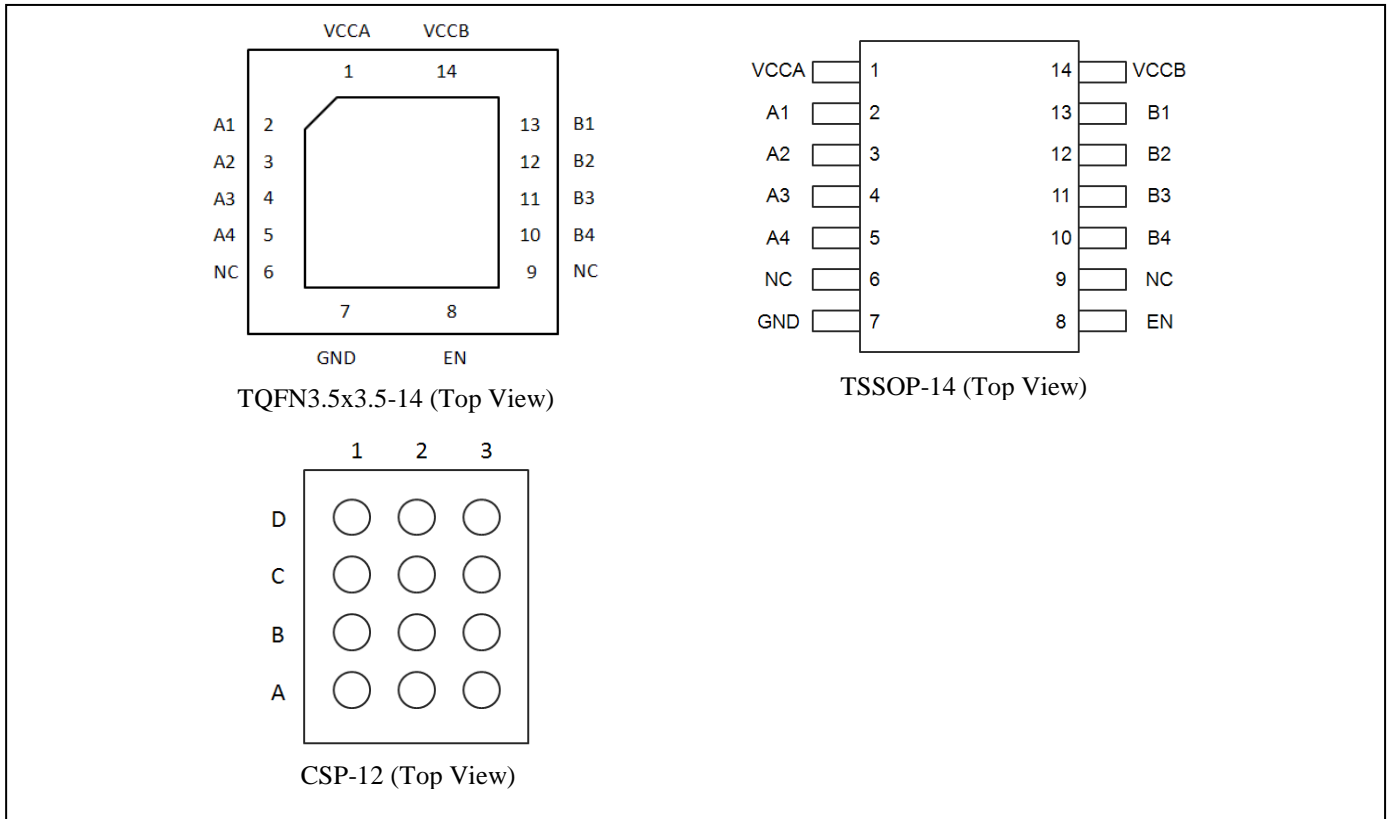
**Block Diagram**



**Figure 1: Block Diagram**

Notes:  
 1. No purposely added lead. Fully EU Directive 2002/95/EC (RoHS), 2011/65/EU (RoHS 2) & 2015/863/EU (RoHS 3) compliant.  
 2. See <https://www.diodes.com/quality/lead-free/> for more information about Diodes Incorporated's definitions of Halogen- and Antimony-free, "Green" and Lead-free.  
 3. Halogen- and Antimony-free "Green" products are defined as those which contain <900ppm bromine, <900ppm chlorine (<1500ppm total Br + Cl) and <1000ppm antimony compounds.

## Pin Configuration



## Pin Description

Pin No TSSOP	Pin No TQFN	Pin No CSP	Pin Name	Type	Description
1	1	B2	V <sub>CCA</sub>	Power	A-port supply voltage. $1.1V \leq V_{CCA} \leq 3.6V$
2	2	A3	A1	I/O	Input/output A. Referenced to V <sub>CCA</sub> .
3	3	B3	A2	I/O	Input/output A. Referenced to V <sub>CCA</sub>
4	4	C3	A3	I/O	Input/output A. Referenced to V <sub>CCA</sub>
5	5	D3	A4	I/O	Input/output A. Referenced to V <sub>CCA</sub>
7	7	D2	GND	GND	Ground.
8	8	C2	EN	Input	Output enable (active High). Pull EN low to place all outputs in 3-state mode.
10	10	D1	B4	I/O	Input/output B. Referenced to V <sub>CCB</sub>
11	11	C1	B3	I/O	Input/output B. Referenced to V <sub>CCB</sub>
12	12	B1	B2	I/O	Input/output B. Referenced to V <sub>CCB</sub>
13	13	A1	B1	I/O	Input/output B. Referenced to V <sub>CCB</sub>
14	14	A2	V <sub>CCB</sub>	Power	B-port supply voltage. $1.1V \leq V_{CCB} \leq 3.6V$
6, 9	6, 9	/	NC	NC	Not Connect

## Maximum Ratings

Storage Temperature .....	-65°C to +150°C
DC Supply Voltage Port B .....	-0.3V to +5.5V
DC Supply Voltage Port A .....	-0.3V to +5.5V
Vi(A) referenced DC Input / Output Voltage .....	-0.3V to +5.5V
Vi(B) referenced DC Input / Output Voltage .....	-0.3V to +5.5V
Enable Control Pin DC Input Voltage .....	-0.3V to +5.5V
Short Circuit duration (I/O to GND) .....	40mA

**Note:**

Stresses greater than those listed under MAXIMUM RATINGS may cause permanent damage to the device. This is a stress rating only and functional operation of the device at these or any other conditions above those indicated in the operational sections of this specification is not implied. Exposure to absolute maximum rating conditions for extended periods may affect reliability.

## Recommended Operation Conditions

Symbol	Parameter	Min	Typ	Max	Unit
V <sub>CCA</sub>	V <sub>CCA</sub> Positive DC Supply Voltage	1.1	-	3.6	V
V <sub>CCB</sub>	V <sub>CCB</sub> Positive DC Supply Voltage	1.1	-	3.6	V
V <sub>EN</sub>	Enable Control Pin Voltage	GND	-	3.6	V
V <sub>IO</sub>	I/O Pin Voltage	GND	-	3.6	V
Δt / ΔV	Input Transition Rise or Fall Time	-	-	10	ns/V
T <sub>A</sub>	Operating Temperature Range	-40	-	+85	°C

## DC Electrical Characteristics

Unless otherwise specified, -40°C ≤ T<sub>A</sub> ≤ 85°C, 1.1V ≤ V<sub>CC</sub> ≤ 3.6V

Symbol	Parameter	Test Conditions	Min	Typ	Max	Unit	
V <sub>IHB</sub>	B port Input HIGH Voltage	2.3V ≤ V <sub>CC(B)</sub> ≤ 3.6V	V <sub>CCB</sub> - 0.4	-	-	V	
		1.5V ≤ V <sub>CC(B)</sub> < 2.3V	V <sub>CCB</sub> - 0.2			V	
		1.1V ≤ V <sub>CC(B)</sub> < 1.5V	V <sub>CCB</sub> - 0.1			V	
V <sub>ILB</sub>	B port Input LOW Voltage			-	0.15	V	
V <sub>IHA</sub>	A port Input HIGH Voltage	2.3V ≤ V <sub>CC(A)</sub> ≤ 3.6V	V <sub>CCA</sub> - 0.4			V	
		1.5V ≤ V <sub>CC(A)</sub> < 2.3V	V <sub>CCA</sub> - 0.2			V	
		1.1V ≤ V <sub>CC(A)</sub> < 1.5V	V <sub>CCA</sub> - 0.1			V	
V <sub>ILA</sub>	A port Input LOW Voltage	-	-	-	0.15	V	
V <sub>IH(EN)</sub>	Control Pin Input HIGH Voltage	1.5V < V <sub>CC(A)</sub> ≤ 3.6V	0.65 * V <sub>CCA</sub>	-	-	V	
		1.1V ≤ V <sub>CC(A)</sub> ≤ 1.5V	0.6 * V <sub>CCA</sub>			V	
V <sub>IL(EN)</sub>	Control Pin Input LOW Voltage	1.5V < V <sub>CC(A)</sub> ≤ 3.6V	-	-	0.35 * V <sub>CCA</sub>	V	
		1.1V ≤ V <sub>CC(A)</sub> ≤ 1.5V			0.2 * V <sub>CCA</sub>	V	
V <sub>OHB</sub>	B port Output HIGH Voltage	B port source current = -20 μA	0.8 * V <sub>CCB</sub>	-	-	V	
V <sub>OLB</sub>	B port Output LOW Voltage	B port sink current = 1 mA	-	-	0.4	V	
V <sub>OHA</sub>	A port Output HIGH Voltage	A port source current = -20 μA	0.8 * V <sub>CCA</sub>	-	-	V	
V <sub>OLA</sub>	A port Output LOW Voltage	A port sink current = 1 mA	-	-	0.4	V	
I <sub>CCB</sub>	V <sub>CCB</sub> Supply Current	V <sub>I</sub> = V <sub>CCI</sub> ; I <sub>O</sub> = 0A; EN = Low or High	V <sub>CC(A)</sub> = 1.1V to 3.6V, V <sub>CC(B)</sub> = 1.1V to 3.6V	-	1.0	3	μA
			V <sub>CCA</sub> = 1.1V, V <sub>CCB</sub> = 1.8V	-	0.6	2	μA
			V <sub>CCA</sub> = 1.8V, V <sub>CCB</sub> = 3.3V	-	0.7	2	μA
			V <sub>CC(A)</sub> = 3.6V, V <sub>CC(B)</sub> = 0V	-		1	μA
			V <sub>CC(A)</sub> = 0V, V <sub>CC(B)</sub> = 3.6V	-		1	μA
I <sub>CCA</sub>	V <sub>CCA</sub> Supply Current	V <sub>I</sub> = V <sub>CCI</sub> ; I <sub>O</sub> = 0A; EN = Low or High	V <sub>CC(A)</sub> = 1.1V to 3.6V, V <sub>CC(B)</sub> = 1.1V to 3.6V	-	0.2	1	μA
			V <sub>CC(A)</sub> = 3.6V, V <sub>CC(B)</sub> = 0V	-	-	1	μA
			V <sub>CC(A)</sub> = 0V, V <sub>CC(B)</sub> = 3.6V	-	-	1	μA

Symbol	Parameter	Test Conditions	Min	Typ	Max	Unit
$I_{OZ}$	I/O Tri-state Output Mode Leakage Current	-	-	0.1	1.0	$\mu\text{A}$
$I_{I-EN}$	Control pin leakage Current	$V_I = V_{CC1}$ or GND	-	-	1	$\mu\text{A}$
$R_{PU}$	Pull-Up Resistors I/O A and B	-	-	10	-	$\text{k}\Omega$
$C_i$	EN	$V_{CC(A)} = 3.3\text{V}, V_{CC(B)} = 3.3\text{V}$	-	-	0.5	$\text{pF}$
$C_{iO}$	A port	$V_{CC(A)} = 3.3\text{V}, V_{CC(B)} = 3.3\text{V}$	-	-	5	$\text{pF}$
	B port	$V_{CC(A)} = 3.3\text{V}, V_{CC(B)} = 3.3\text{V}$	-	-	5	$\text{pF}$

Note: All units are production tested at  $T_A = +25^\circ\text{C}$ . Limits over the operating temperature range are guaranteed by design.  
 Typical values are for  $V_{CCB} = +2.8\text{V}$ ,  $V_{CCA} = +1.8\text{V}$  and  $T_A = +25^\circ\text{C}$ .

## AC Electrical Characteristics

**Timing Characteristics – Rail-to-Rail Driving Configuration** (I/O test circuits of Figures 2, 3 and 7,  $C_{LOAD} = 15\text{pF}$ , driver output impedance  $\leq 50\Omega$ ,  $R_{LOAD} = 1\text{M}\Omega$ ,  $T_A = -40^\circ\text{C}$  to  $85^\circ\text{C}$ , unless otherwise specified)

Symbol	Parameter	Test Conditions	Min	Typ	Max	Unit
<b><math>V_{CCA} = 1.2\text{V} \pm 0.1\text{V}, V_{CCB} = 1.8\text{V} \pm 0.15\text{V}</math></b>						
$t_{RB}$	B port Rise Time	-			20	$\text{nS}$
$t_{FB}$	B port Fall Time	-			25	$\text{nS}$
$t_{RA}$	A port Rise Time	-			20	$\text{nS}$
$t_{FA}$	A port Fall Time	-			20	$\text{nS}$
$t_{EN}$	Enable Time	-			200	$\text{nS}$
$t_{DIS}$	Disable Time	-			200	$\text{nS}$
$t_{PHL-A-B}$	Propagation Delay (Driving A)	-			9	$\text{nS}$
$t_{PLH-A-B}$		-			11	$\text{nS}$
$t_{PHL-B-A}$	Propagation Delay (Driving B)	-			9	$\text{nS}$
$t_{PLH-B-A}$		-			10	$\text{nS}$
$t_{PPSKEW}$	Part-to-Part Skew	-			1	$\text{nS}$
MDR	Maximum Data Rate	-			20	$\text{Mbps}$
<b><math>V_{CCA} = 1.2\text{V} \pm 0.1\text{V}, V_{CCB} = 2.5\text{V} \pm 0.2\text{V}</math></b>						
$t_{RB}$	B port Rise Time	-			12	$\text{nS}$
$t_{FB}$	B port Fall Time	-			14	$\text{nS}$
$t_{RA}$	A port Rise Time	-			20	$\text{nS}$
$t_{FA}$	A port Fall Time	-			25	$\text{nS}$
$t_{EN}$	Enable Time	-			200	$\text{nS}$
$t_{DIS}$	Disable Time	-			200	$\text{nS}$
$t_{PHL-A-B}$	Propagation Delay (Driving A)	-			9	$\text{nS}$
$t_{PLH-A-B}$		-			11	$\text{nS}$
$t_{PHL-B-A}$	Propagation Delay (Driving B)	-			9	$\text{nS}$
$t_{PLH-B-A}$		-			10	$\text{nS}$
$t_{PPSKEW}$	Part-to-Part Skew	-			1	$\text{nS}$
MDR	Maximum Data Rate	-			20	$\text{Mbps}$
<b><math>V_{CCA} = 1.2\text{V} \pm 0.1\text{V}, V_{CCB} = 3.3\text{V} \pm 0.3\text{V}</math></b>						
$t_{RB}$	B port Rise Time	-			12	$\text{nS}$
$t_{FB}$	B port Fall Time	-			18	$\text{nS}$
$t_{RA}$	A port Rise Time	-			16	$\text{nS}$
$t_{FA}$	A port Fall Time	-			30	$\text{nS}$
$t_{EN}$	Enable Time	-			200	$\text{nS}$
$t_{DIS}$	Disable Time	-			200	$\text{nS}$
$t_{PHL-A-B}$	Propagation Delay (Driving A)	-			8	$\text{nS}$
$t_{PLH-A-B}$		-			11	$\text{nS}$

**PI4ULS3V204**

Symbol	Parameter	Test Conditions	Min	Typ	Max	Unit
$t_{PHL-B-A}$	Propagation Delay (Driving B)	-			8	nS
$t_{PLH-B-A}$		-			10	nS
$t_{PPSKEW}$	Part-to-Part Skew	-			1	nS
MDR	Maximum Data Rate	-			20	Mbps
<b><math>V_{CCA} = 1.8V \pm 0.15V, V_{CCB} = 1.2V \pm 0.1V</math></b>						
$t_{RB}$	B port Rise Time	-			25	nS
$t_{FB}$	B port Fall Time	-			25	nS
$t_{RA}$	A port Rise Time	-			14	nS
$t_{FA}$	A port Fall Time	-			25	nS
$t_{EN}$	Enable Time	-			200	nS
$t_{DIS}$	Disable Time	-			200	nS
$t_{PHL-A-B}$	Propagation Delay (Driving A)	-			10	nS
$t_{PLH-A-B}$		-			15	nS
$t_{PHL-B-A}$	Propagation Delay (Driving B)	-			12	nS
$t_{PLH-B-A}$		-			12	nS
$t_{PPSKEW}$	Part-to-Part Skew	-			1	nS
MDR	Maximum Data Rate	-			20	Mbps
<b><math>V_{CCA} = 1.8V \pm 0.15V, V_{CCB} = 2.5V \pm 0.2V</math></b>						
$t_{RB}$	B port Rise Time	-			8	nS
$t_{FB}$	B port Fall Time	-			8	nS
$t_{RA}$	A port Rise Time	-			6	nS
$t_{FA}$	A port Fall Time	-			12	nS
$t_{EN}$	Enable Time	-			200	nS
$t_{DIS}$	Disable Time	-			150	nS
$t_{PHL-A-B}$	Propagation Delay (Driving A)	-			5	nS
$t_{PLH-A-B}$		-			4	nS
$t_{PHL-B-A}$	Propagation Delay (Driving B)	-			4	nS
$t_{PLH-B-A}$		-			4	nS
$t_{PPSKEW}$	Part-to-Part Skew	-			1	nS
MDR	Maximum Data Rate	-			24	Mbps
<b><math>V_{CCA} = 1.8V \pm 0.15V, V_{CCB} = 3.3V \pm 0.3V</math></b>						
$t_{RB}$	B port Rise Time	-			8	nS
$t_{FB}$	B port Fall Time	-			8	nS
$t_{RA}$	A port Rise Time	-			4	nS
$t_{FA}$	A port Fall Time	-			10	nS
$t_{EN}$	Enable Time	-			180	nS
$t_{DIS}$	Disable Time	-			120	nS
$t_{PHL-A-B}$	Propagation Delay (Driving A)	-			6	nS
$t_{PLH-A-B}$		-			4	nS
$t_{PHL-B-A}$	Propagation Delay (Driving B)	-			4	nS
$t_{PLH-B-A}$		-			4	nS
$t_{PPSKEW}$	Part-to-Part Skew	-			1	nS
MDR	Maximum Data Rate	-			24	Mbps

Symbol	Parameter	Test Conditions	Min	Typ	Max	Unit
<b><math>V_{CCA} = 2.5V \pm 0.2V</math>, <math>V_{CCB} = 1.2V \pm 0.1V</math></b>						
$t_{RB}$	B port Rise Time	-			25	nS
$t_{FB}$	B port Fall Time	-			30	nS
$t_{RA}$	A port Rise Time	-			12	nS
$t_{FA}$	A port Fall Time	-			30	nS
$t_{EN}$	Enable Time	-			200	nS
$t_{DIS}$	Disable Time	-			180	nS
$t_{PHL-A-B}$	Propagation Delay (Driving A)	-			10	nS
$t_{PLH-A-B}$		-			14	nS
$t_{PHL-B-A}$	Propagation Delay (Driving B)	-			20	nS
$t_{PLH-B-A}$		-			12	nS
$t_{PPSKEW}$	Part-to-Part Skew	-			1	nS
MDR	Maximum Data Rate	-			20	Mbps
<b><math>V_{CCA} = 2.5V \pm 0.2V</math>, <math>V_{CCB} = 1.8V \pm 0.15V</math></b>						
$t_{RB}$	B port Rise Time	-			8	nS
$t_{FB}$	B port Fall Time	-			9	nS
$t_{RA}$	A port Rise Time	-			9	nS
$t_{FA}$	A port Fall Time	-			9	nS
$t_{EN}$	Enable Time	-			200	nS
$t_{DIS}$	Disable Time	-			120	nS
$t_{PHL-A-B}$	Propagation Delay (Driving A)	-			3	nS
$t_{PLH-A-B}$		-			2	nS
$t_{PHL-B-A}$	Propagation Delay (Driving B)	-			5	nS
$t_{PLH-B-A}$		-			5	nS
$t_{PPSKEW}$	Part-to-Part Skew	-			1	nS
MDR	Maximum Data Rate	-			24	Mbps
<b><math>V_{CCA} = 2.5V \pm 0.2V</math>, <math>V_{CCB} = 3.3V \pm 0.3V</math></b>						
$t_{RB}$	B port Rise Time	-			7	nS
$t_{FB}$	B port Fall Time	-			8	nS
$t_{RA}$	A port Rise Time	-			4	nS
$t_{FA}$	A port Fall Time	-			10	nS
$t_{EN}$	Enable Time	-			200	nS
$t_{DIS}$	Disable Time	-			120	nS
$t_{PHL-A-B}$	Propagation Delay (Driving A)	-			3	nS
$t_{PLH-A-B}$		-			5	nS
$t_{PHL-B-A}$	Propagation Delay (Driving B)	-			4	nS
$t_{PLH-B-A}$		-			4	nS
$t_{PPSKEW}$	Part-to-Part Skew	-			1	nS
MDR	Maximum Data Rate	-			24	Mbps
<b><math>V_{CCA} = 3.3V \pm 0.3V</math>, <math>V_{CCB} = 1.2V \pm 0.1V</math></b>						
$t_{RB}$	B port Rise Time	-			26	nS
$t_{FB}$	B port Fall Time	-			32	nS
$t_{RA}$	A port Rise Time	-			12	nS
$t_{FA}$	A port Fall Time	-			40	nS
$t_{EN}$	Enable Time	-			120	nS
$t_{DIS}$	Disable Time	-			300	nS
$t_{PHL-A-B}$	Propagation Delay	-			10	nS

Symbol	Parameter	Test Conditions	Min	Typ	Max	Unit
$t_{PLH-A-B}$	(Driving A)	-			14	nS
$t_{PHL-B-A}$	Propagation Delay (Driving B)	-			25	nS
$t_{PLH-B-A}$		-			12	nS
$t_{PPSKEW}$	Part-to-Part Skew	-			1	nS
MDR	Maximum Data Rate	-			20	Mbps
<b><math>V_{CCA} = 3.3V \pm 0.3V, V_{CCB} = 1.8V \pm 0.15V</math></b>						
$t_{RB}$	B port Rise Time	-			6	nS
$t_{FB}$	B port Fall Time	-			11	nS
$t_{RA}$	A port Rise Time	-			6	nS
$t_{FA}$	A port Fall Time	-			7	nS
$t_{EN}$	Enable Time	-			120	nS
$t_{DIS}$	Disable Time	-			200	nS
$t_{PHL-A-B}$	Propagation Delay (Driving A)	-			4	nS
$t_{PLH-A-B}$		-			4	nS
$t_{PHL-B-A}$	Propagation Delay (Driving B)	-			5	nS
$t_{PLH-B-A}$		-			5	nS
$t_{PPSKEW}$	Part-to-Part Skew	-			1	nS
MDR	Maximum Data Rate	-			24	Mbps
<b><math>V_{CCA} = 3.3V \pm 0.3V, V_{CCB} = 2.5V \pm 0.2V</math></b>						
$t_{RB}$	B port Rise Time	-			6	nS
$t_{FB}$	B port Fall Time	-			10	nS
$t_{RA}$	A port Rise Time	-			6	nS
$t_{FA}$	A port Fall Time	-			7	nS
$t_{EN}$	Enable Time	-			120	nS
$t_{DIS}$	Disable Time	-			200	nS
$t_{PHL-A-B}$	Propagation Delay (Driving A)	-			4	nS
$t_{PLH-A-B}$		-			4	nS
$t_{PHL-B-A}$	Propagation Delay (Driving B)	-			4	nS
$t_{PLH-B-A}$		-			4	nS
$t_{PPSKEW}$	Part-to-Part Skew	-			1	nS
MDR	Maximum Data Rate	-			24	Mbps

### Timing Characteristics – Open Drain Driving Configuration

( $1.1 \leq V_{CCA} \leq V_{CCB} \leq 3.6V, T_A = -40^\circ C$  to  $85^\circ C$ )

Symbol	Parameter	Test Conditions	Min	Typ	Max	Unit
$t_{RB}$	B port Rise Time	-	-	-	300	nS
$t_{FB}$	B port Fall Time	-	-	-	30	nS
$t_{RA}$	A port Rise Time	-	-	-	300	nS
$t_{FA}$	A port Fall Time	-	-	-	30	nS
$t_{PHL-A-B}$	Propagation Delay (Driving A)	-	-	-	20	nS
$t_{PLH-A-B}$		-	-	-	260	nS
$t_{PHL-B-A}$	Propagation Delay (Driving B)	-	-	-	20	nS
$t_{PLH-B-A}$		-	-	-	260	nS
$t_{PPSKEW}$	Part-to-Part Skew	-	-	-	1	nS
MDR	Maximum Data Rate	-	2	-	-	Mbps

**Test Circuits**

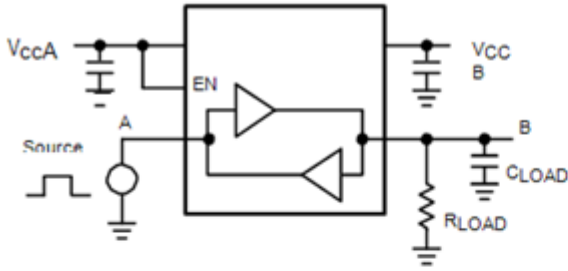


Figure 2. Rail-to-Rail Driving A

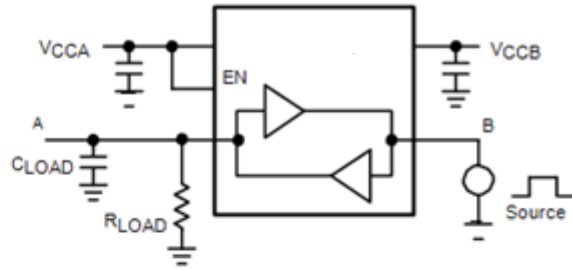


Figure 3. Rail-to-Rail Driving B

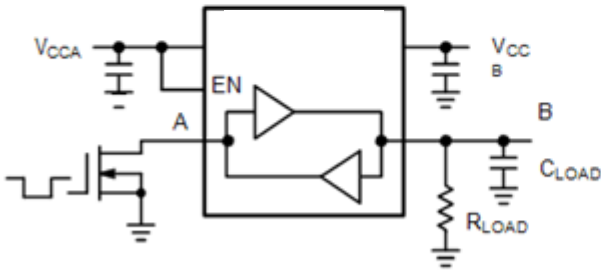


Figure 4. Open-Drain Driving A

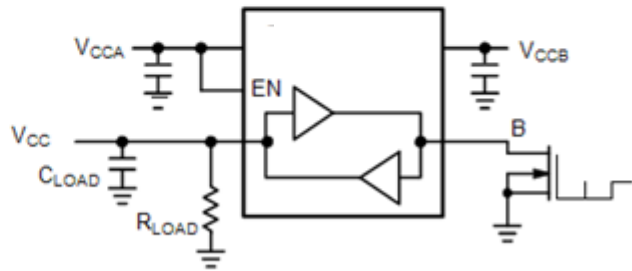


Figure 5. Open-Drain Driving B

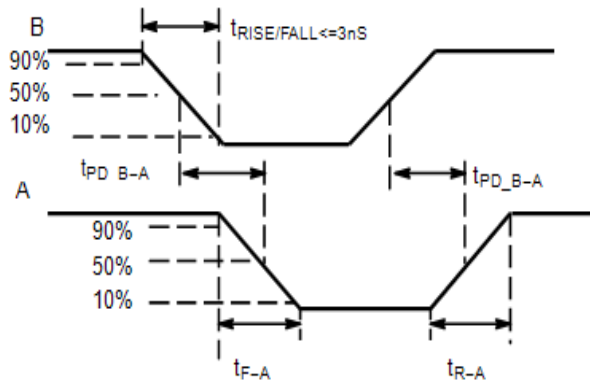
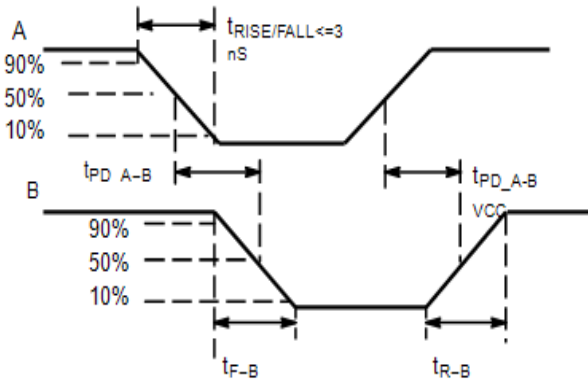
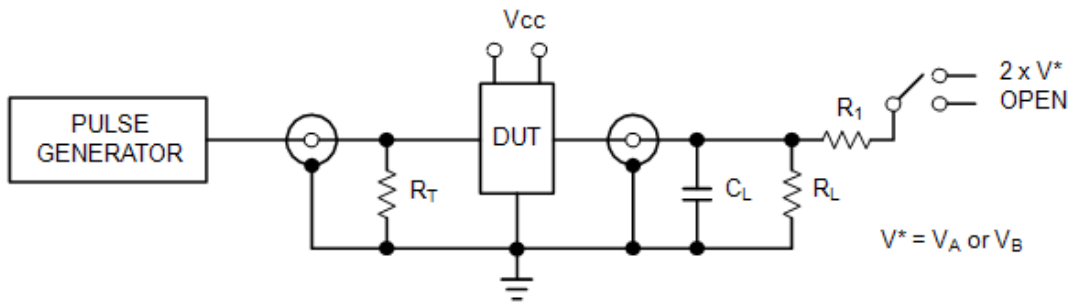


Figure 6. Definition of Timing Specification Parameters

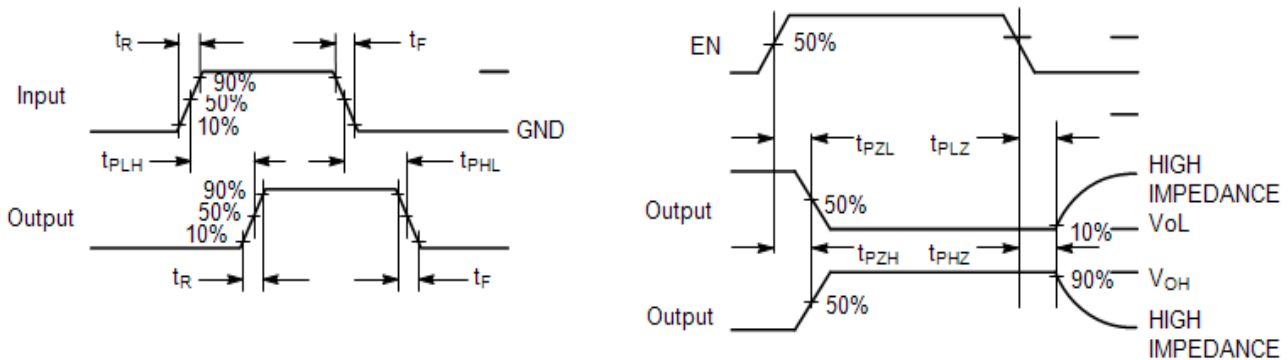




Test	Switch
$t_{PZH}, t_{PHZ}$	Open
$t_{PZL}, t_{PLZ}$	$2 \times V^*$

$C_L = 15 \text{ pF}$  or equivalent (Includes jig and probe capacitance)  
 $R_L = R_1 = 50 \text{ k}\Omega$  or equivalent  
 $R_T = Z_{OUT}$  of pulse generator (typically  $50 \Omega$ )  
 $V^* = V_A$  or  $V_B$  for A or B measurements, respectively.

**Figure 7. Test Circuit for Enable/Disable Time Measurement**



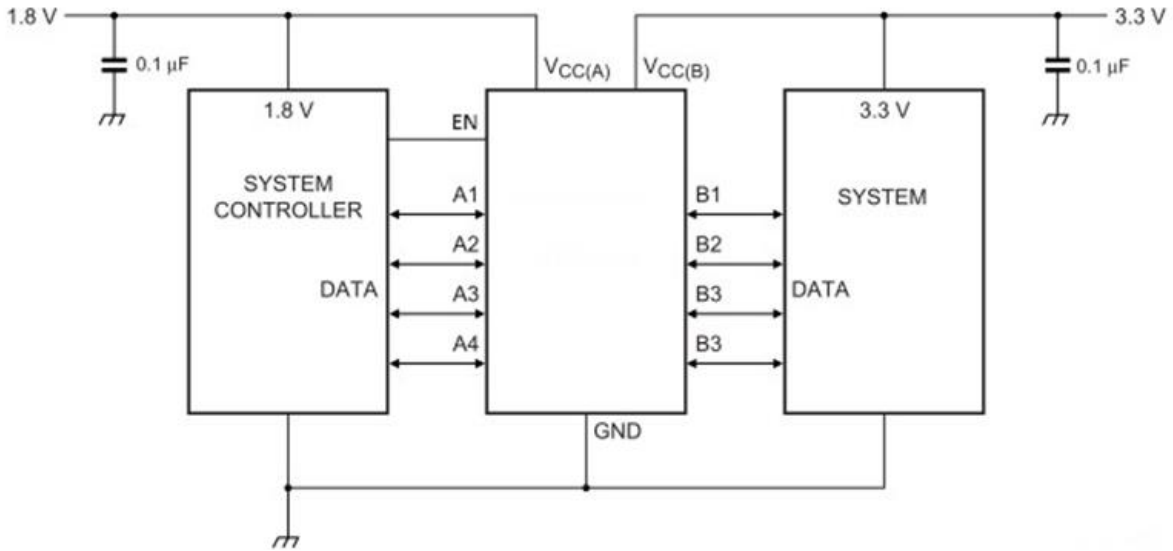
**Figure 8. Timing Definitions for Propagation Delays and Enable/Disable Measurement**

## Functional Description

The PI4ULS3V204 is a 4-bit configurable dual-supply bidirectional auto sensing translator that does not require a directional control pin. The A and B ports are designed to track two different power supply rails,  $V_{CCA}$  and  $V_{CCB}$  respectively. Both the  $V_{CCA}$  and  $V_{CCB}$  supply rails are configurable from 1.1 V to 3.6V. This allows voltage logic signals on the  $V_{CCA}$  side to be translated into lower, higher or equal value voltage logic signals on the  $V_{CCB}$  side, and vice-versa.

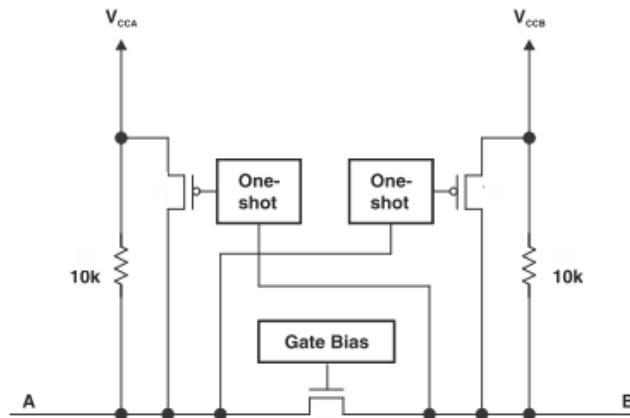
The translator has integrated 10 k $\Omega$  pull-up resistors on the I/O lines. The integrated pull-up resistors are used to pull-up the I/O lines to either  $V_{CCA}$  or  $V_{CCB}$ . The PI4ULS3V204 is an excellent match for open-drain applications such as the I<sup>2</sup>C communication bus.

## Application Information



## Level Translator Architecture

The PI4ULS3V204 auto sense translator provides bidirectional voltage level shifting to transfer data in multiple supply voltage systems. This device has two supply voltages,  $V_{CCA}$  and  $V_{CCB}$ , which set the logic levels on the input and output sides of the translator. When used to transfer data from A port to B port, input signals referenced to the  $V_{CCA}$  supply are translated to output signals with a logic level matched to  $V_{CCB}$ . In a similar manner, translation shifts input signals with a logic level compatible to  $V_{CCB}$  to an output signal matched to  $V_{CCA}$ . The PI4ULS3V204 consists of two bidirectional channels that independently determine the direction of the data flow without requiring a directional pin. The one-shot circuits are used to detect the rising or falling input signals. In addition, the one shots decrease the rise and fall time of the output signal for high-to-low and low-to-high transitions. Each input/output channel has an internal 10 k $\Omega$  pull. The magnitude of the pull-up resistors can be reduced by connecting external resistors in parallel to the internal 10 k $\Omega$  resistors.



## Input Driver Requirements

The rise ( $t_R$ ) and fall ( $t_F$ ) timing parameters of the open drain outputs depend on the magnitude of the pull-up resistors. In-addition, the propagation times ( $t_{PD}$ ), skew ( $t_{PSKEW}$ ) and maximum data rate depend on the impedance of the device that is connected to the translator. The timing parameters listed in the data sheet assume that the output impedance of the drivers connected to the translator is less than 50 k $\Omega$ .

## Enable Input (EN)

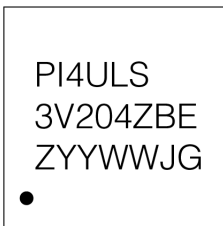
The PI4ULS3V204 has an Enable pin (EN) that provides tri-state operation at the I/O pins. Driving the Enable pin to a low logic level minimizes the power consumption of the device and drives the I/O VCCB and I/O VCCA pins to a high impedance state. Normal translation operation occurs when the EN pin is equal to a logic high signal. The EN pin is referenced to the VCCA supply and has overvoltage tolerant protection.

## Power Supply Guidelines

During normal operation, supply voltage VCCA can be greater than, less than or equal to VCCB. The sequencing of the power supplies will not damage the device during the power up operation. For optimal performance, 0.01μF to 0.1μF decoupling capacitors should be used on the VCCA and VCCB power supply pins. Ceramic capacitors are a good design choice to filter and bypass any noise signals on the voltage lines to the ground plane of the PCB. The noise immunity will be maximized by placing the capacitors as close as possible to the supply and ground pins, along with minimizing the PCB connection traces.

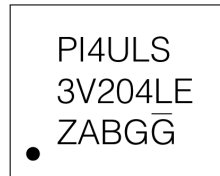
## Part Marking

### ZB Package



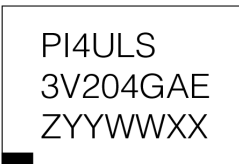
Z: Die Rev  
YYWW: Date Code (Year & Workweek)  
J: Assembly Site Code  
G: Wafer Fab Site Code

### L Package



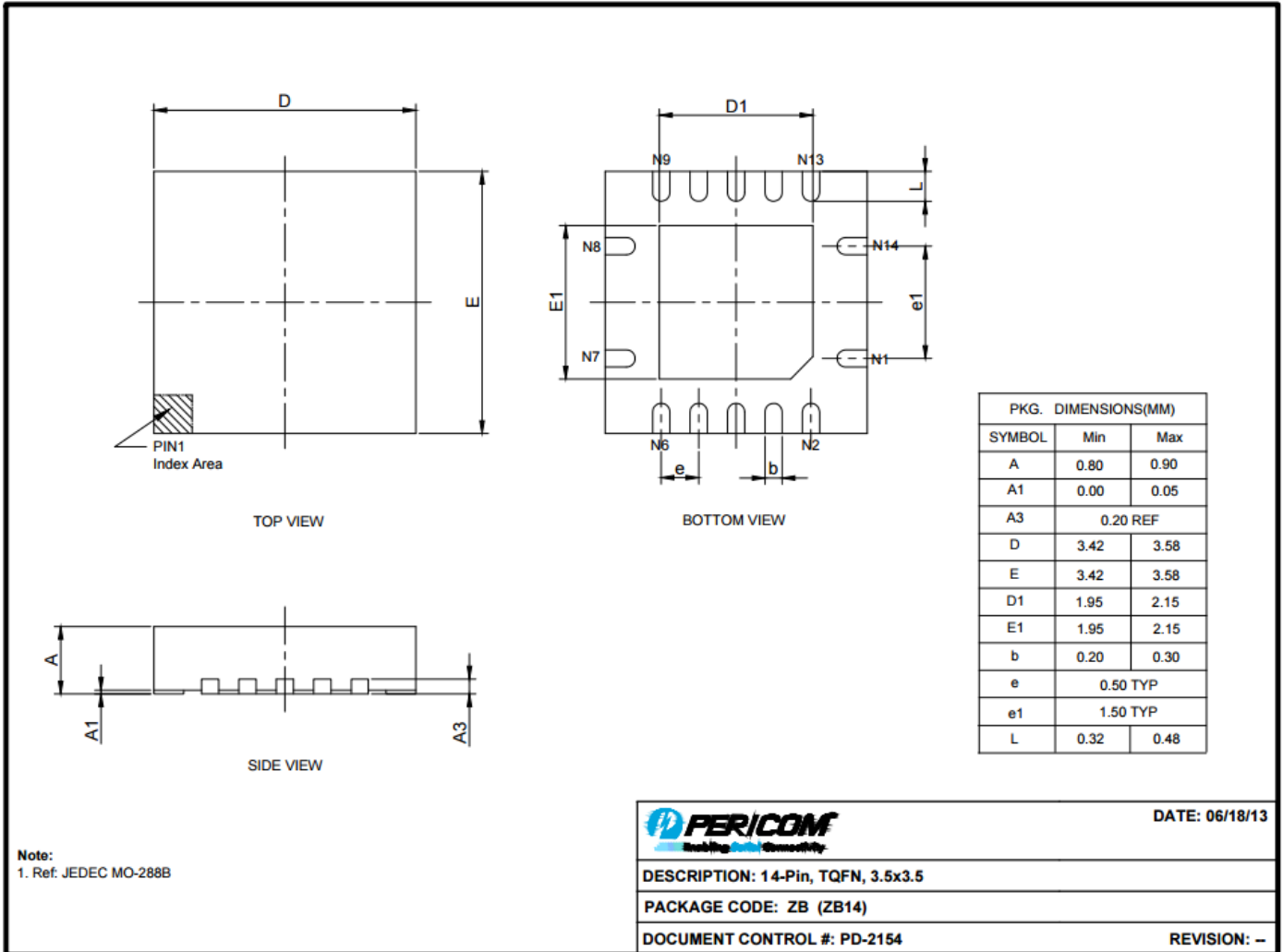
Z: Die Rev  
AB: Date Code (Year & Workweek)  
G: Assembly Site Code  
G: Wafer Fab Site Code  
The Bar above 2nd "G" means Cu wire

### GA Package



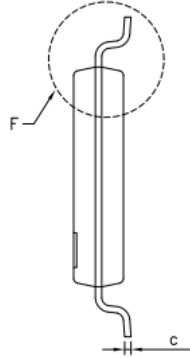
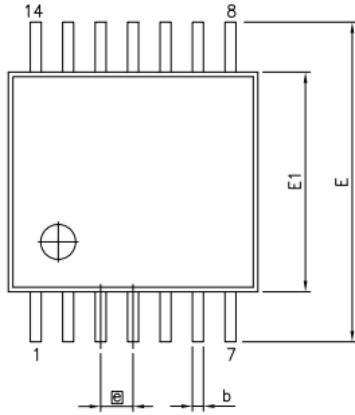
Z: Die Rev  
YY: Year  
WW: Workweek  
1st X: Assembly Code  
2nd X: Fab Code

**Packaging Mechanical:  
14-TQFN (ZB)**

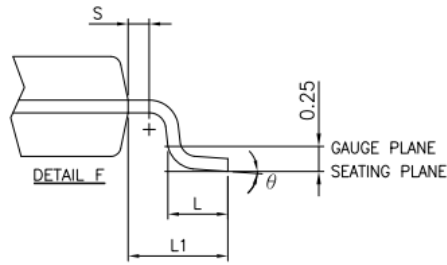
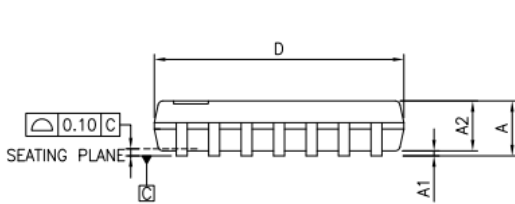


13-0193

**14-TSSOP (L)**



SYMBOLS	MIN.	NOM.	MAX.
A	–	–	1.20
A1	0.05	–	0.15
A2	0.80	1.00	1.05
b	0.19	–	0.30
c	0.09	–	0.20
D	4.90	5.00	5.10
E1	4.30	4.40	4.50
E	6.20	6.40	6.60
e	0.65 BSC		
L1	1.00 REF		
L	0.45	0.60	0.75
S	0.20	–	–
$\theta$	0°	–	8°



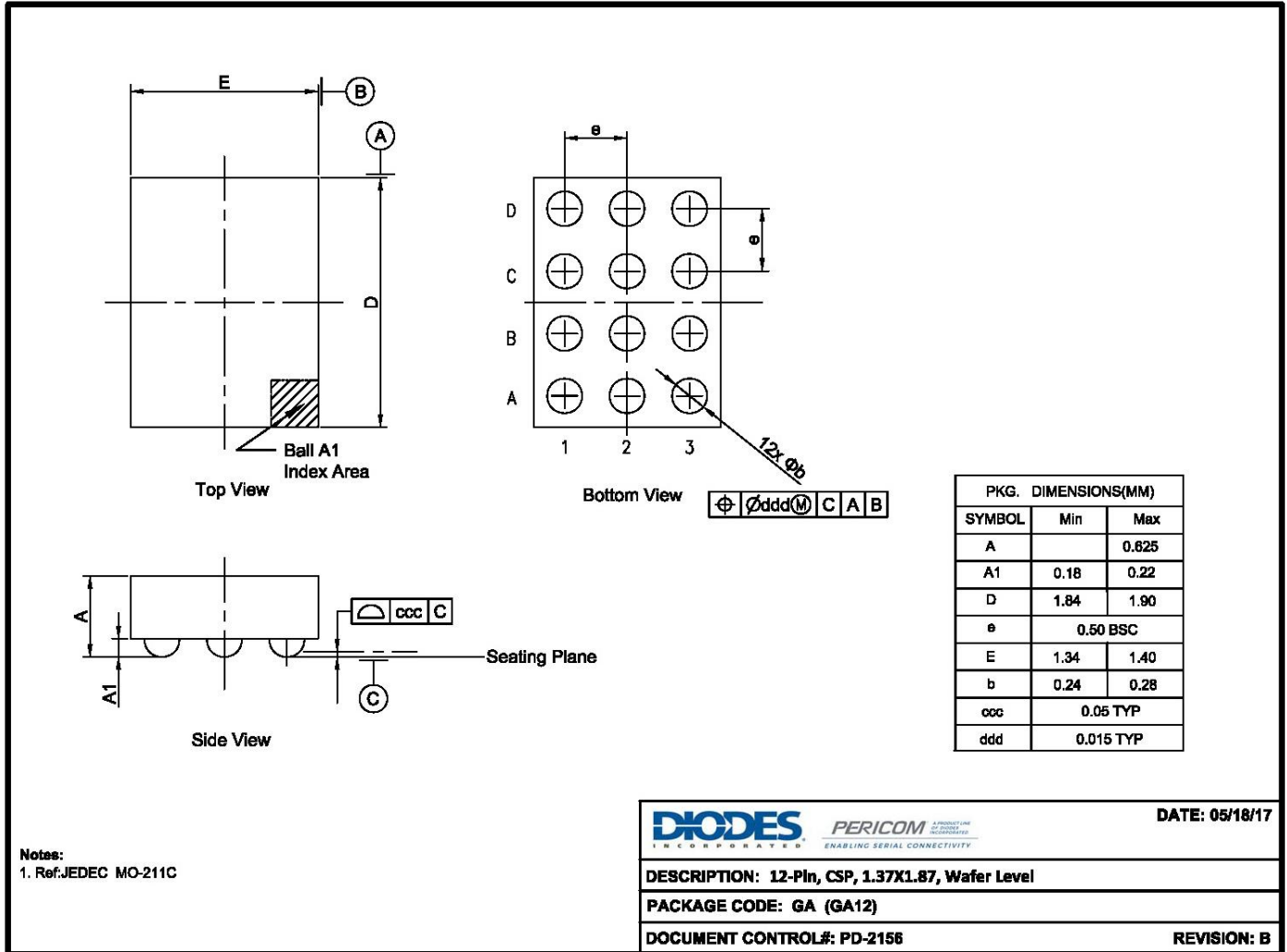
**NOTES:**

1. ALL DIMENSIONS IN MILLIMETERS. ANGLES IN DEGREES.
2. JEDEC MO-153F
3. DIMENSIONS DOES NOT INCLUDE MOLD FLASH, PROTRUSIONS OR GATE BURRS.

		DATE: 03/24/16
DESCRIPTION: 14-Pin, 173mil Wide TSSOP		
PACKAGE CODE: L (L14)		
DOCUMENT CONTROL #: PD-1309	REVISION: E	

16-0060

**12-CSP (GA)**



17-0369

For latest package info.

please check: <http://www.diodes.com/design/support/packaging/pericom-packaging/packaging-mechanicals-and-thermal-characteristics/>

**Ordering Information**

Part Number	Package Code	Package Description
PI4ULS3V204LEX	L	14-Pin, 173 mil Wide (TSSOP)
PI4ULS3V204ZBEX	ZB	14-Pin, 3.5x3.5 (TQFN)
PI4ULS3V204GAEX	GA	12-Pin, 1.37x1.87, Wafer Level (CSP)
PI4ULS3V204ZBEX-13R	ZB	14-Pin, 3.5x3.5 (TQFN), Pin 1 orientation is Top Left

**Notes:**

- No purposely added lead. Fully EU Directive 2002/95/EC (RoHS), 2011/65/EU (RoHS 2) & 2015/863/EU (RoHS 3) compliant.
- See <https://www.diodes.com/quality/lead-free/> for more information about Diodes Incorporated's definitions of Halogen- and Antimony-free, "Green" and Lead-free.
- Halogen- and Antimony-free "Green" products are defined as those which contain <900ppm bromine, <900ppm chlorine (<1500ppm total Br + Cl) and <1000ppm antimony compounds.
- E = Pb-free and Green
- X suffix = Tape/Reel
- For packaging detail, go to our website at: <https://www.diodes.com/assets/MediaList-Attachments/Diodes-Package-Information.pdf>

**IMPORTANT NOTICE**

1. DIODES INCORPORATED AND ITS SUBSIDIARIES (“DIODES”) MAKE NO WARRANTY OF ANY KIND, EXPRESS OR IMPLIED, WITH REGARDS TO ANY INFORMATION CONTAINED IN THIS DOCUMENT, INCLUDING, BUT NOT LIMITED TO, THE IMPLIED WARRANTIES OF MERCHANTABILITY, FITNESS FOR A PARTICULAR PURPOSE OR NON-INFRINGEMENT OF THIRD PARTY INTELLECTUAL PROPERTY RIGHTS (AND THEIR EQUIVALENTS UNDER THE LAWS OF ANY JURISDICTION).
2. The Information contained herein is for informational purpose only and is provided only to illustrate the operation of Diodes products described herein and application examples. Diodes does not assume any liability arising out of the application or use of this document or any product described herein. This document is intended for skilled and technically trained engineering customers and users who design with Diodes products. Diodes products may be used to facilitate safety-related applications; however, in all instances customers and users are responsible for (a) selecting the appropriate Diodes products for their applications, (b) evaluating the suitability of the Diodes products for their intended applications, (c) ensuring their applications, which incorporate Diodes products, comply the applicable legal and regulatory requirements as well as safety and functional-safety related standards, and (d) ensuring they design with appropriate safeguards (including testing, validation, quality control techniques, redundancy, malfunction prevention, and appropriate treatment for aging degradation) to minimize the risks associated with their applications.
3. Diodes assumes no liability for any application-related information, support, assistance or feedback that may be provided by Diodes from time to time. Any customer or user of this document or products described herein will assume all risks and liabilities associated with such use, and will hold Diodes and all companies whose products are represented herein or on Diodes’ websites, harmless against all damages and liabilities.
4. Products described herein may be covered by one or more United States, international or foreign patents and pending patent applications. Product names and markings noted herein may also be covered by one or more United States, international or foreign trademarks and trademark applications. Diodes does not convey any license under any of its intellectual property rights or the rights of any third parties (including third parties whose products and services may be described in this document or on Diodes’ website) under this document.
5. Diodes products are provided subject to Diodes’ Standard Terms and Conditions of Sale (<https://www.diodes.com/about/company/terms-and-conditions/terms-and-conditions-of-sales/>) or other applicable terms. This document does not alter or expand the applicable warranties provided by Diodes. Diodes does not warrant or accept any liability whatsoever in respect of any products purchased through unauthorized sales channel.
6. Diodes products and technology may not be used for or incorporated into any products or systems whose manufacture, use or sale is prohibited under any applicable laws and regulations. Should customers or users use Diodes products in contravention of any applicable laws or regulations, or for any unintended or unauthorized application, customers and users will (a) be solely responsible for any damages, losses or penalties arising in connection therewith or as a result thereof, and (b) indemnify and hold Diodes and its representatives and agents harmless against any and all claims, damages, expenses, and attorney fees arising out of, directly or indirectly, any claim relating to any noncompliance with the applicable laws and regulations, as well as any unintended or unauthorized application.
7. While efforts have been made to ensure the information contained in this document is accurate, complete and current, it may contain technical inaccuracies, omissions and typographical errors. Diodes does not warrant that information contained in this document is error-free and Diodes is under no obligation to update or otherwise correct this information. Notwithstanding the foregoing, Diodes reserves the right to make modifications, enhancements, improvements, corrections or other changes without further notice to this document and any product described herein. This document is written in English but may be translated into multiple languages for reference. Only the English version of this document is the final and determinative format released by Diodes.
8. Any unauthorized copying, modification, distribution, transmission, display or other use of this document (or any portion hereof) is prohibited. Diodes assumes no responsibility for any losses incurred by the customers or users or any third parties arising from any such unauthorized use.

Copyright © 2021 Diodes Incorporated

[www.diodes.com](http://www.diodes.com)

# Mouser Electronics

Authorized Distributor

Click to View Pricing, Inventory, Delivery & Lifecycle Information:

[Diodes Incorporated:](#)

[PI4ULS3V204GAEX](#) [PI4ULS3V204ZBEX](#) [PI4ULS3V204LEX](#)